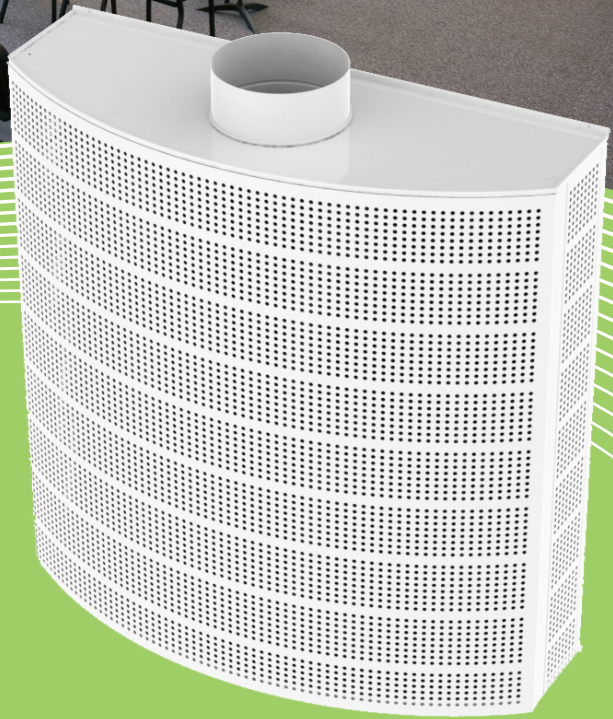




# Displacement Ventilation Diffusers

DVCP / DVVC / DVHC

DVBC / DVRI / DVIR



## Table of Contents

---

Section 1	DVCP (Round Diffuser)	
	Diffuser Installation & Commissioning .....	3
	Duct Cover Installation .....	4
Section 2	DVVC (Radius Corner Diffuser)	
	Diffuser Installation & Commissioning .....	8
	Duct Cover Installation .....	9
Section 3	DVHC (Semi-Round Diffuser)	
	Diffuser Installation & Commissioning .....	12
	Duct Cover Installation .....	13
Section 4	DVBC (Rectangular Diffuser)	
	Diffuser Installation & Commissioning .....	16
	Duct Cover Installation .....	17
Section 5	DVRI (Rectangular Diffuser)	
	Diffuser Installation & Commissioning .....	20
Section 6	DVIR (Rectangular Diffuser)	
	Diffuser Installation & Commissioning .....	23

## DVCP Installation

### STEP 1

Mark the positions to drill the 4 holes on the bottom plate of the unit.

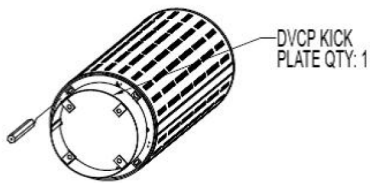
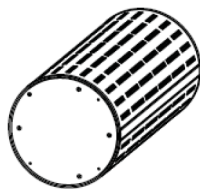


Figure 1

### STEP 2

Drill holes to mount the mounting base.



(DRILL 4 HOLES  
TO MOUNT KICK  
PLATE)

Figure 2

### STEP 3

Install mounting base to the floor using anchor screws.

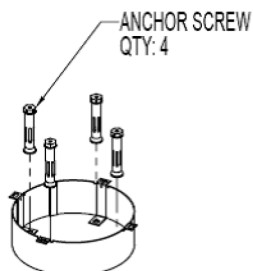


Figure 3

### STEP 4

Install the unit onto the mounting base using pop rivets.

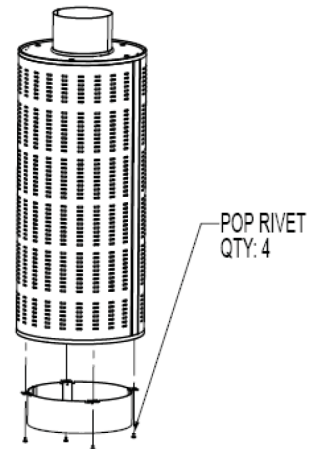


Figure 4

**Commissioning (Balancing):** The balancing port is positioned on the side behind the decor strip. The K-factor of the unit is stated on the K-factor label mounted on one of the side of the balancing port. The k-factor can also be found on our website in the relevant k-factor guide. See Figure 5

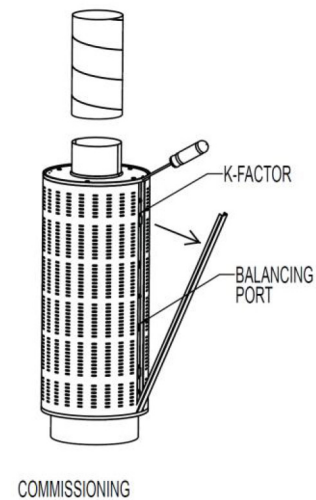
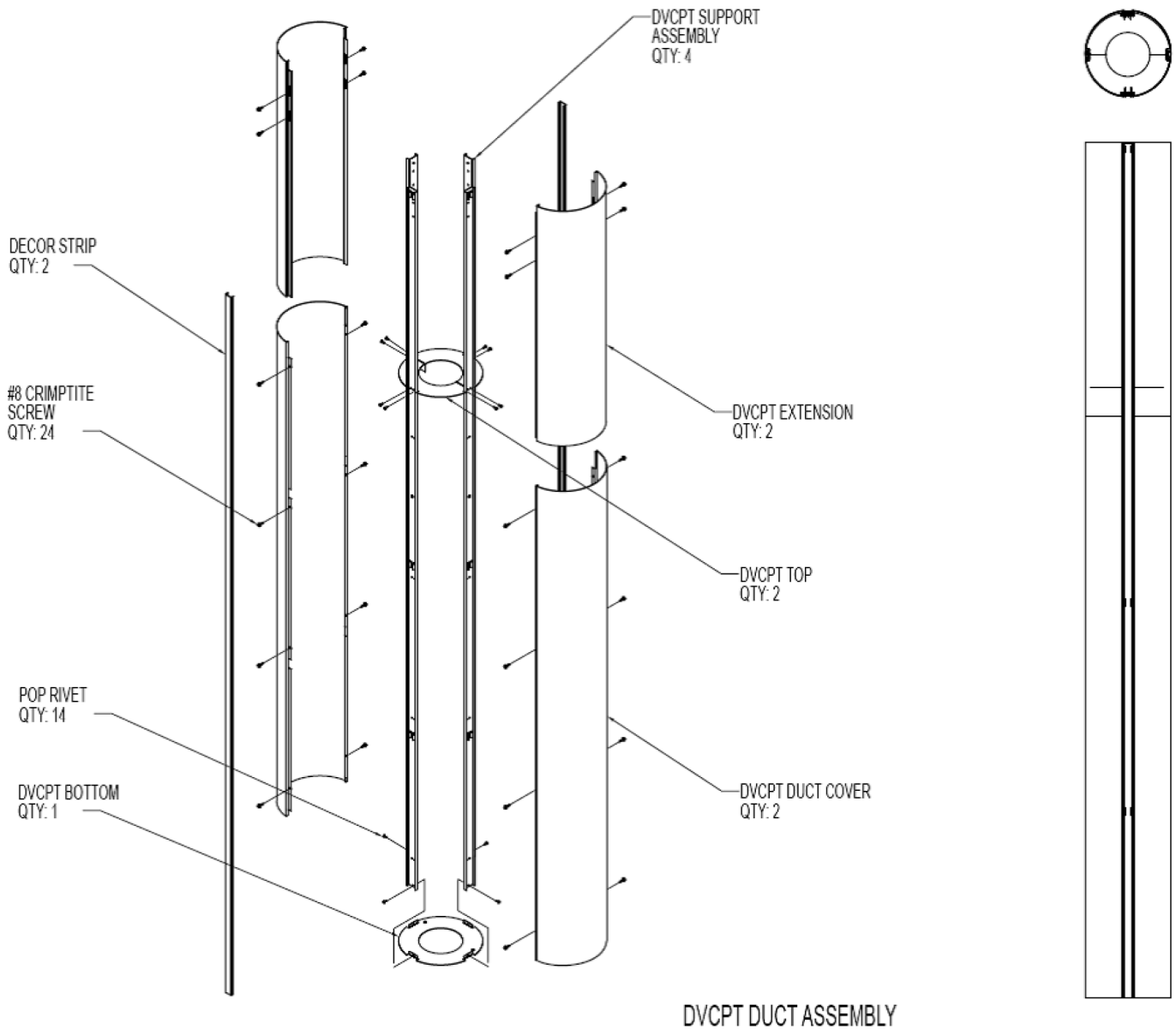


Figure 5



## DVCP Duct Cover Installation





## DVCP Duct Cover Installation (continued)

### STEP 1

Mount the duct cover bottom on the top of the unit.

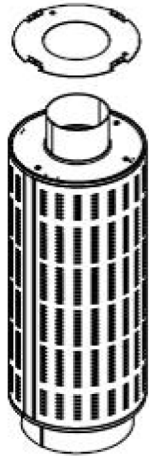


Figure 1

### STEP 2

Mount the duct cover support assembly on the top of the unit. Align the holes on the flange of the duct cover bottom and the duct cover support assembly and cut the support according to the ceiling height keeping 2" distance between the ceiling and the top of the duct cover support assembly. Align the duct cover top with the three holes on the support assembly and rivet the duct cover top with the duct cover support assembly in 2 places.

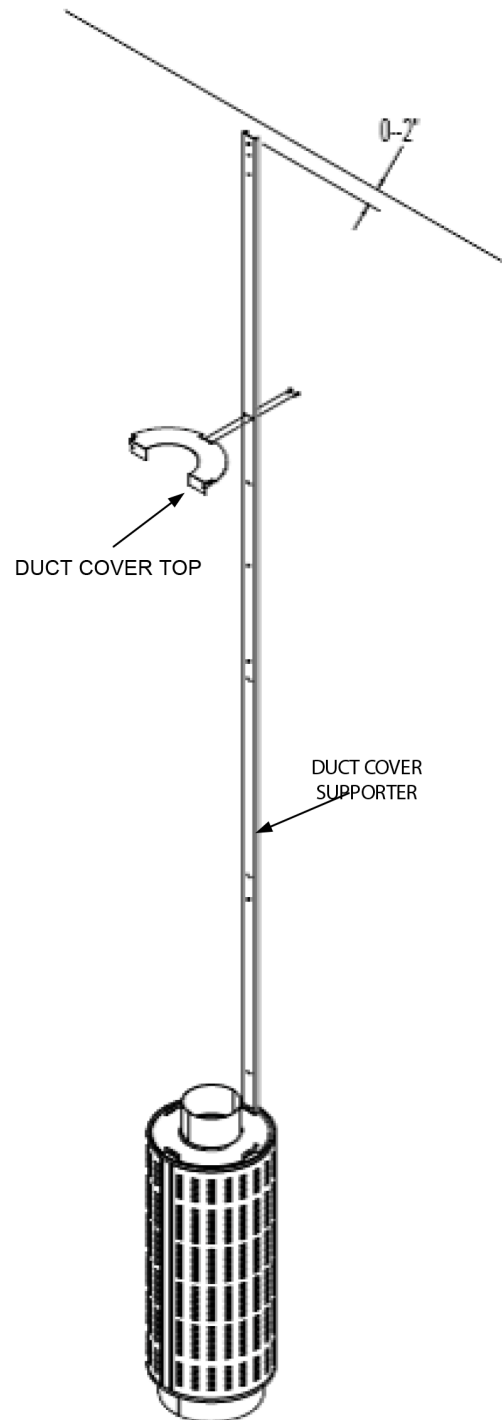


Figure 2

## DVCP Duct Cover Installation (continued)

### STEP 3

Install the duct onto the unit. Install the second duct cover top to the duct cover support assembly enclosing the duct. Assemble both the duct cover top together using pop rivets.

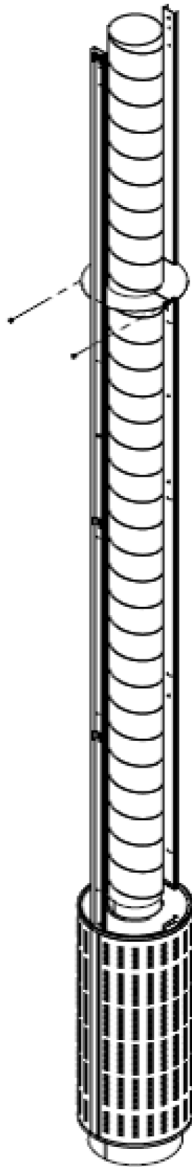


Figure 3

### STEP 4

Assemble all four duct cover support assemblies to the duct cover bottom using pop rivets.

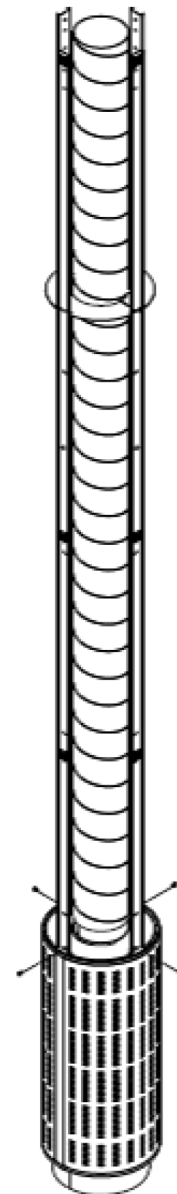


Figure 4

## DVCP Duct Cover Installation (continued)

### STEP 5

Align the top edge of the duct cover support assembly with the top face of the extension and install the extension assembly onto the duct cover support assembly using screws. (Décor strip of the unit should align with the décor strip of the duct cover assembly)

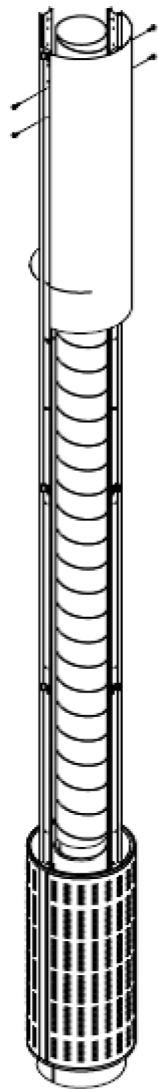


Figure 5

### STEP 6

Place the duct cover on the top of the unit and assemble it to the duct cover support assembly using screws. Snap the décor strips into the springs of the duct cover support assemblies.

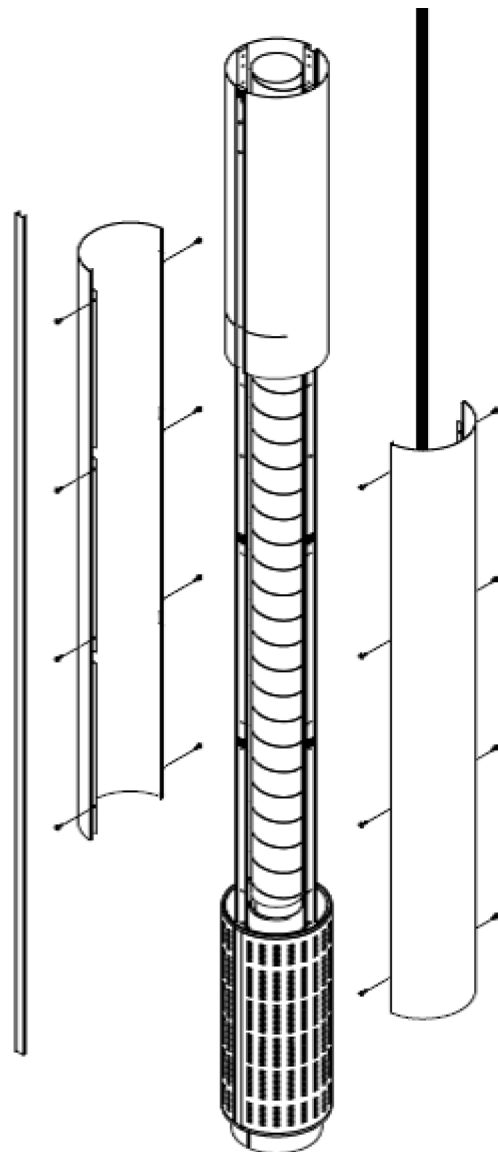


Figure 6



## DVVC Installation

### STEP 1

Drill the holes on the bottom plate of the unit and the mounting base. Install the mounting base into place using screws.

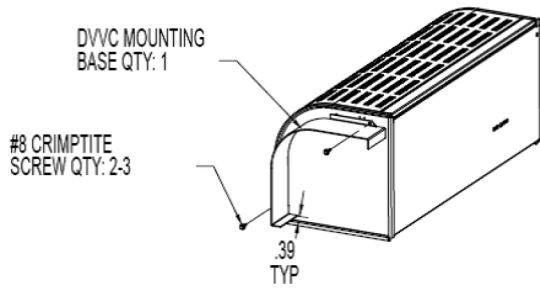


Figure 1

### STEP 2

Install wall brackets to the wall using screws and slide the bottom of the unit into the angle wall brackets.

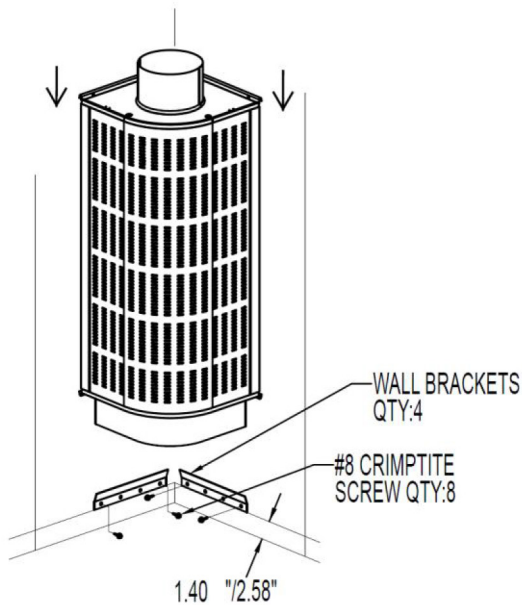


Figure 2

### STEP 3

Install wall bracket to the wall to hold the top of the unit using screws.

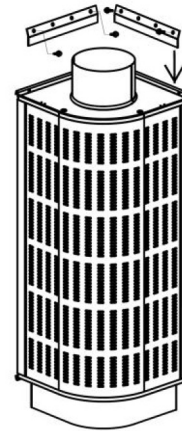


Figure 3

**Commissioning (Balancing):** The balancing port is positioned on the side behind the decor strip. The K-factor of the unit is stated on the K-factor label mounted on one of the side of the balancing port. The k-factor can also be found on our website in the relevant k-factor guide. See Figure 4

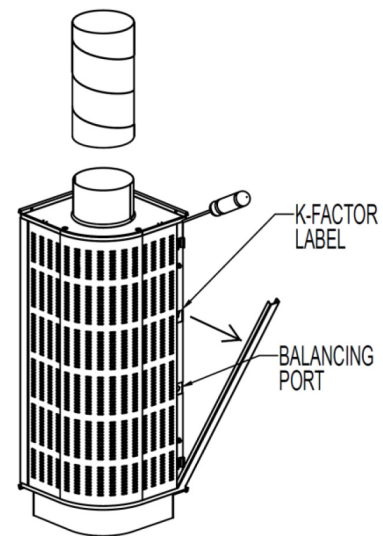
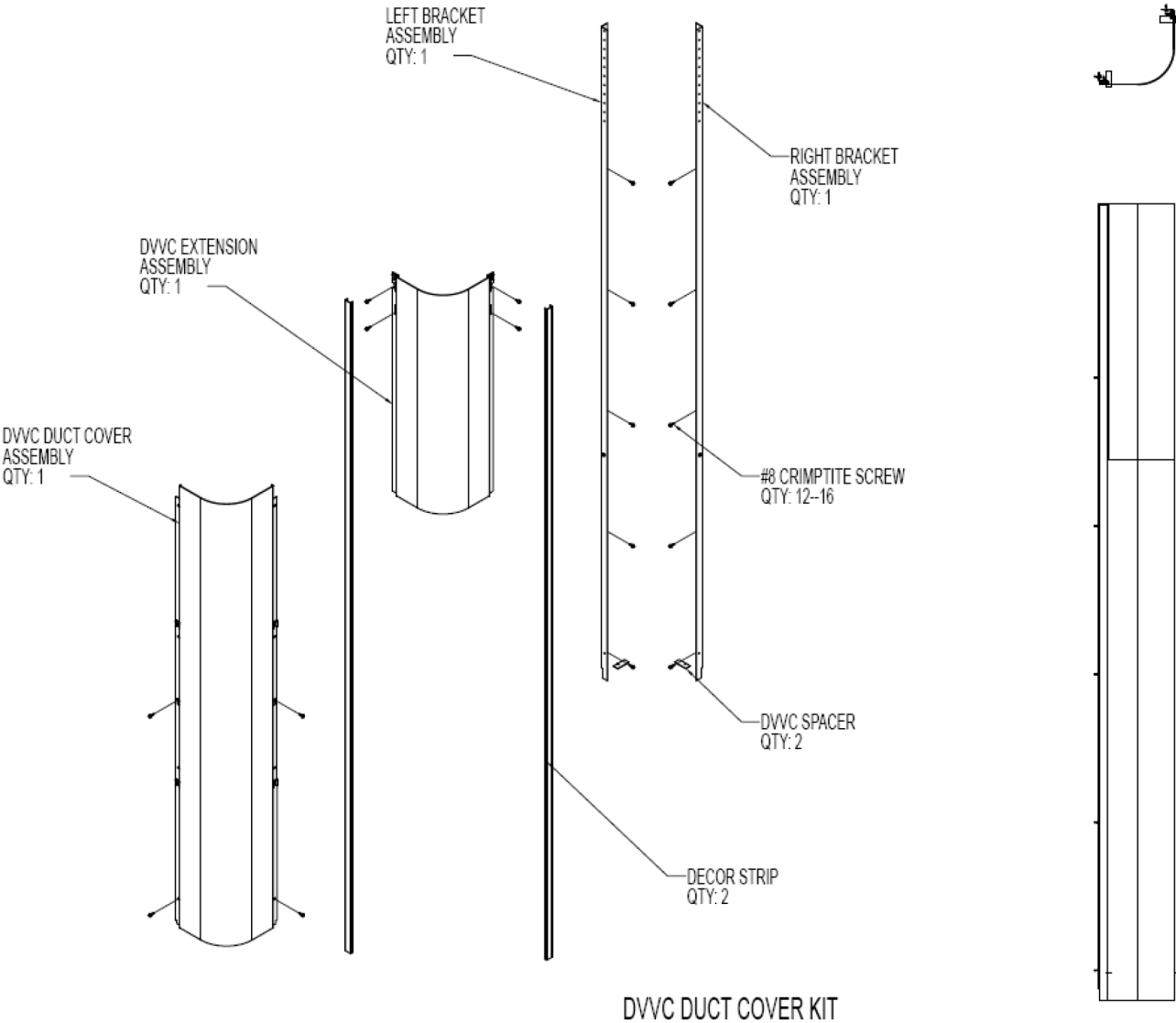


Figure 4

# DVVC Duct Cover Installation



## DVVC Duct Cover Installation (continued)

### STEP 1

Cut the brackets according to the ceiling height keeping 0-2" distance between the ceiling and top of the bracket.

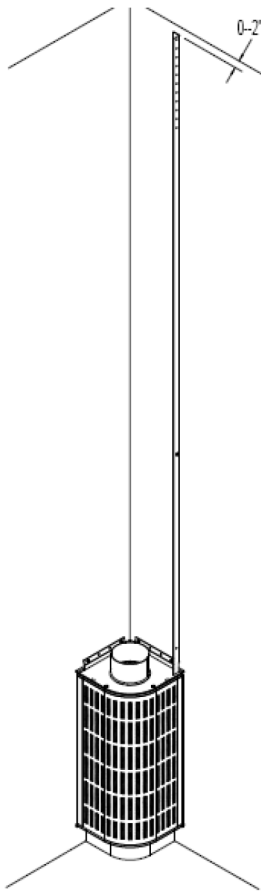


Figure 1

### STEP 2

Using spacers align the brackets to the end of the unit keeping 0.67" distance from the end face of the unit. Screw the left and right brackets to the wall.

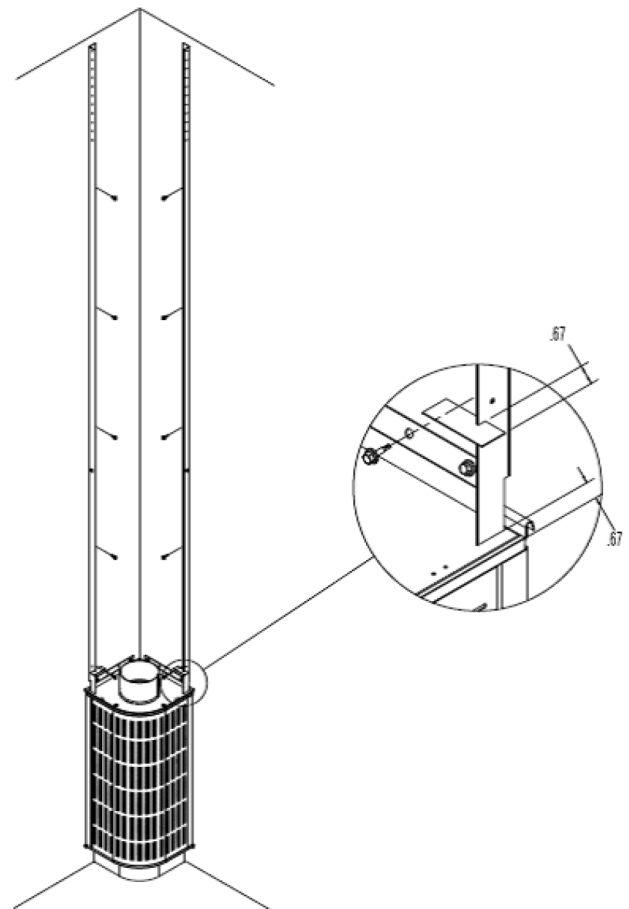


Figure 2



## DVVC Duct Cover Installation (continued)

### STEP 3

Install the duct onto the unit. Align the top edge of the brackets with the top face of the extension and install the extension assembly onto the brackets using screws.

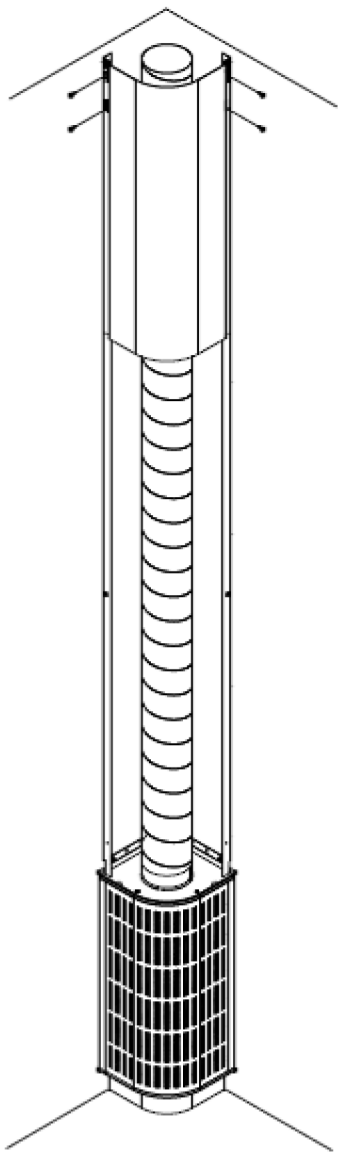


Figure 3

### STEP 4

Place the duct cover assembly on the top of the unit and assemble it to the brackets using screws. Snap the décor strips into the springs of the extension and duct cover assemblies.

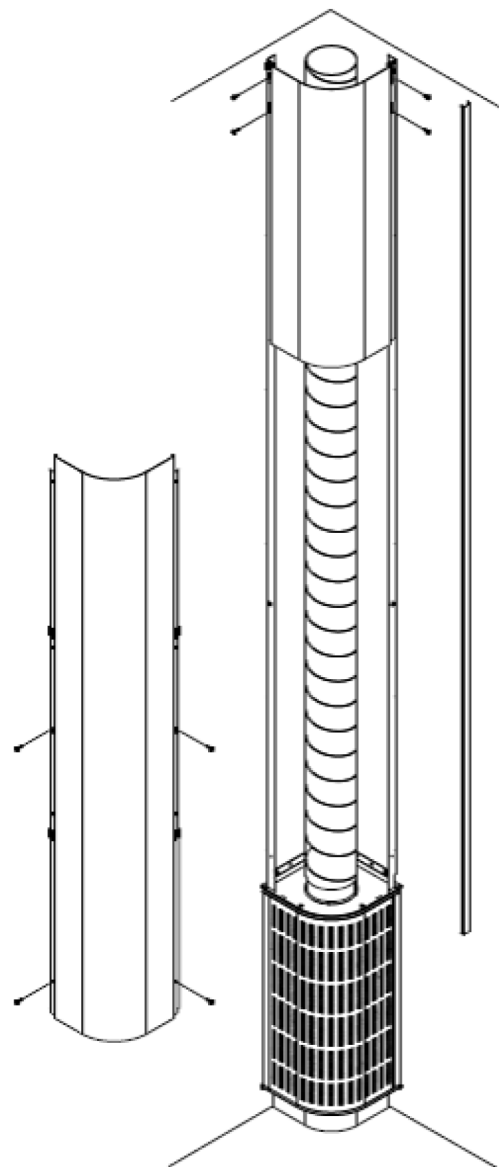


Figure 4

## DVHC Installation

### STEP 1

Drill the holes on the bottom plate of the unit and the mounting base. Install the mounting base into place using screws.

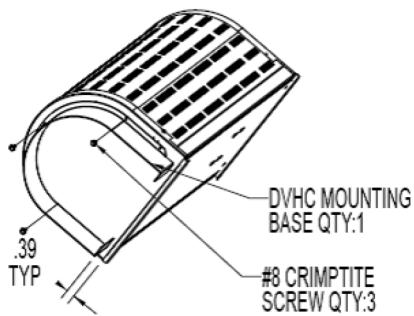


Figure 1

### STEP 2

Install wall bracket to the wall using screws and slide the bottom of the unit into the angle wall bracket.

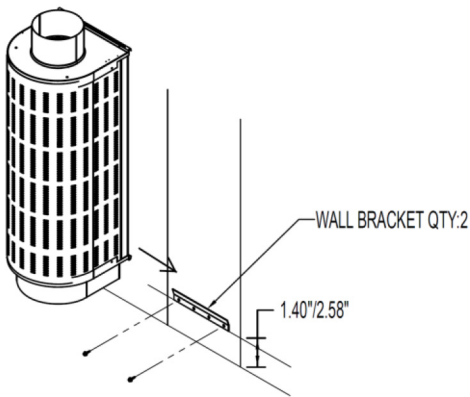


Figure 2

### STEP 3

Install wall bracket to the wall to hold the top of the unit using screws.

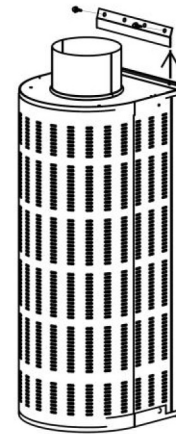
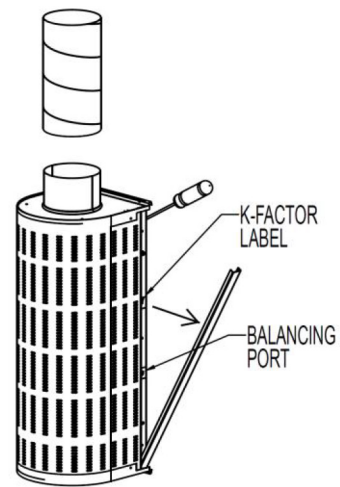


Figure 3

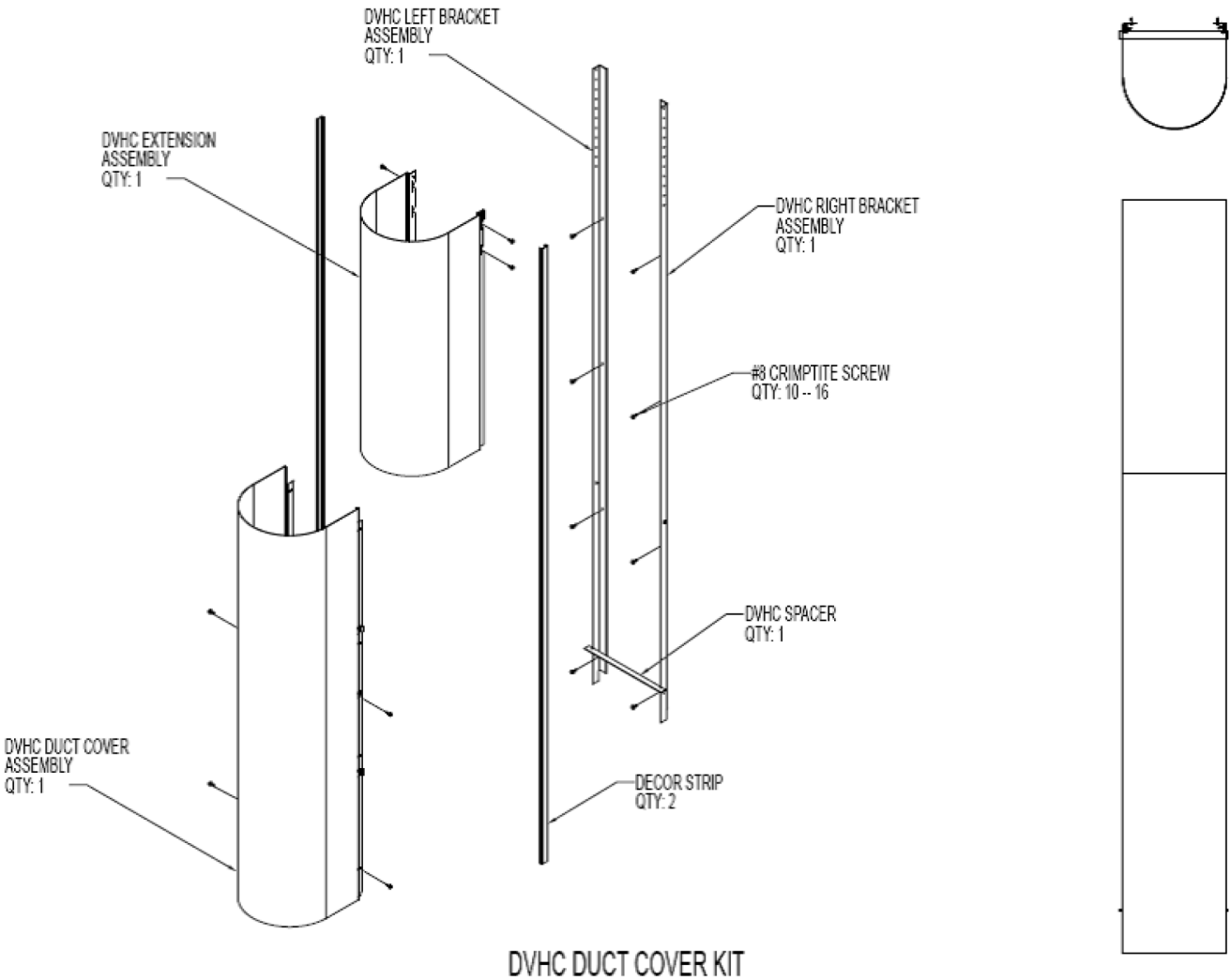
**Commissioning (Balancing):** The balancing port is positioned on the side behind the decor strip. The K-factor of the unit is stated on the K-factor label mounted on one of the side of the balancing port. The k-factor can also be found on our website in the relevant k-factor guide. See Figure 4



COMMISSIONING

Figure 4

# DVHC Duct Cover Installation



DVHC DUCT COVER KIT



## DVHC Duct Cover Installation (continued)

### STEP 1

Cut the brackets according to the ceiling height keeping 0-2" distance between the ceiling and top of the bracket.

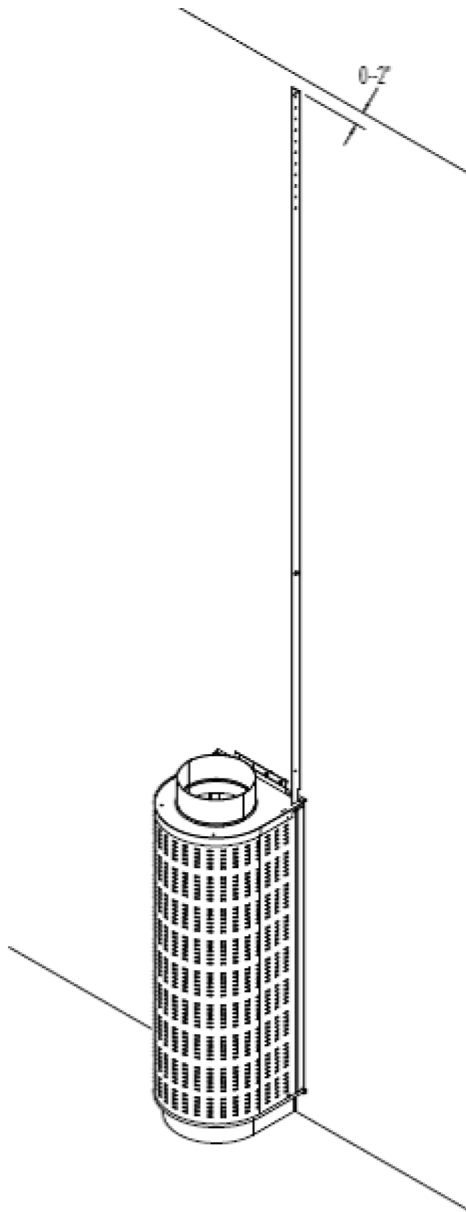


Figure 1

### STEP 2

Using spacers align the brackets to the end of the unit keeping 0.67" distance from the end face of the unit. Screw the left and right brackets to the wall.

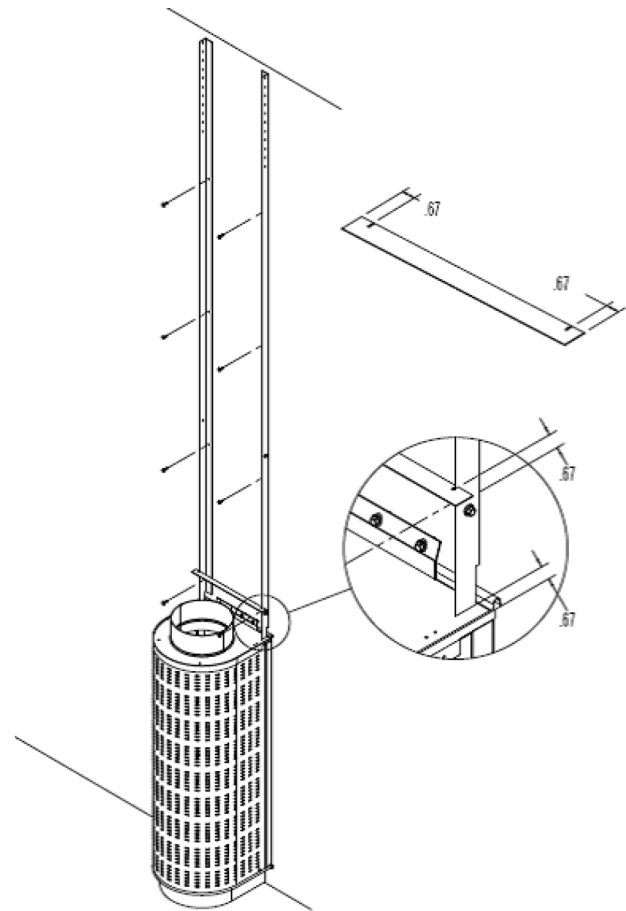


Figure 2

## DVHC Duct Cover Installation (continued)

### STEP 3

Install the duct onto the unit. Align the top edge of the brackets with the top face of the extension and install the extension assembly onto the brackets using screws.

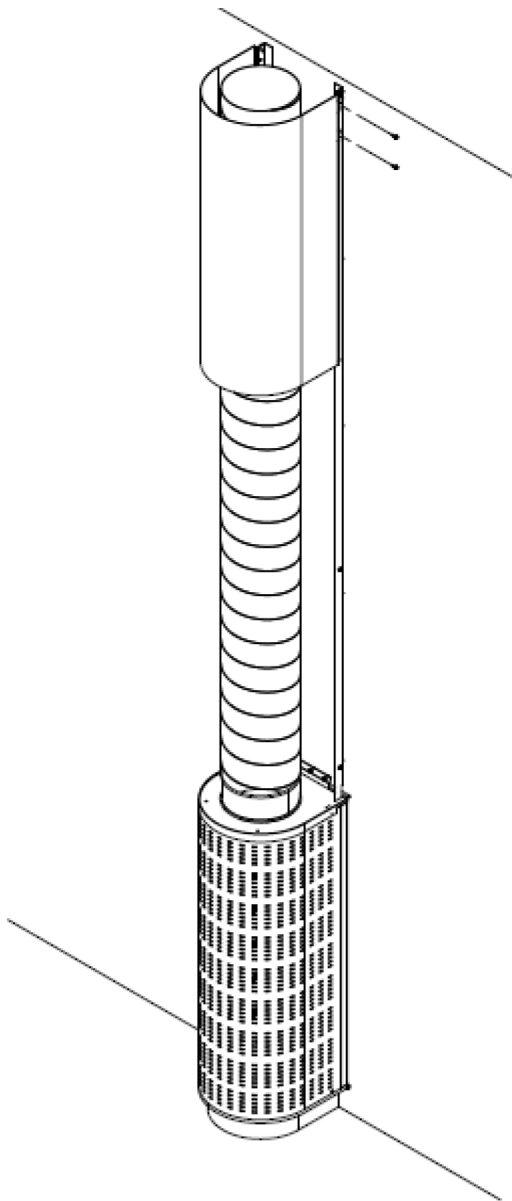


Figure 3

### STEP 4

Place the duct cover assembly on the top of the unit and assemble it to the brackets using screws. Snap the décor strips into the springs of the extension and duct cover assemblies.

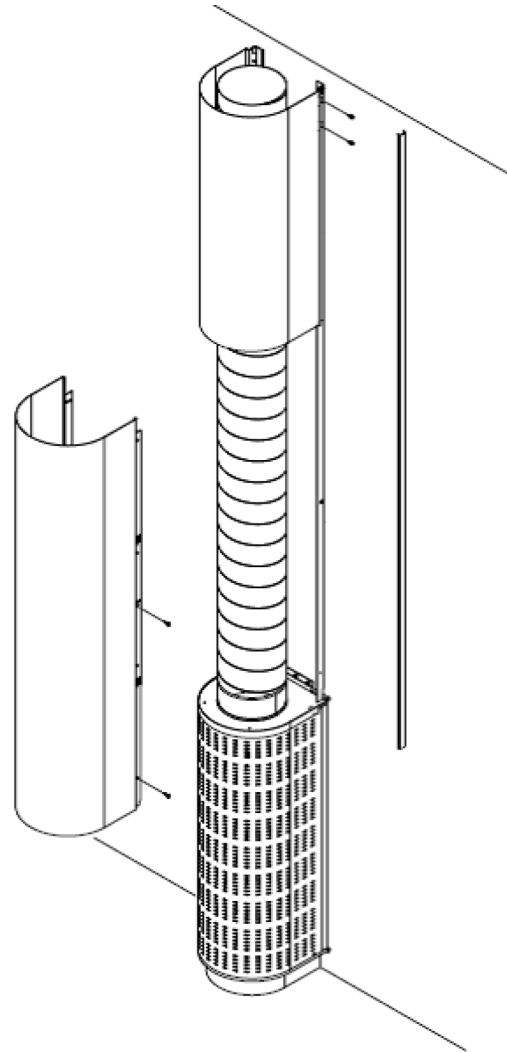


Figure 4

## DVBC Installation

### STEP 1

Drill the holes on the bottom plate of the unit and the mounting base. Install the mounting base into place using screws.

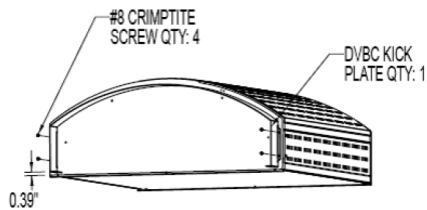


Figure 1

### STEP 2

Install wall bracket to the wall using screws and slide the bottom of the unit into the angle wall bracket.

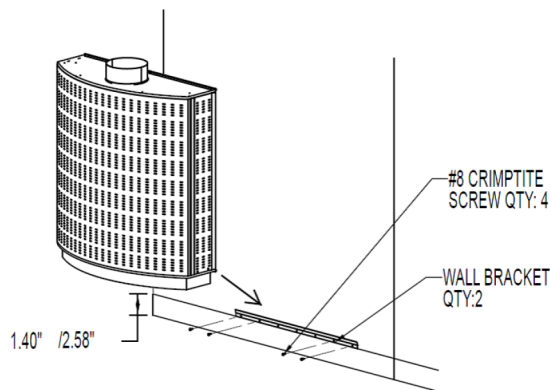


Figure 2

### STEP 3

Install wall bracket to the wall to hold the top of the unit using screws.

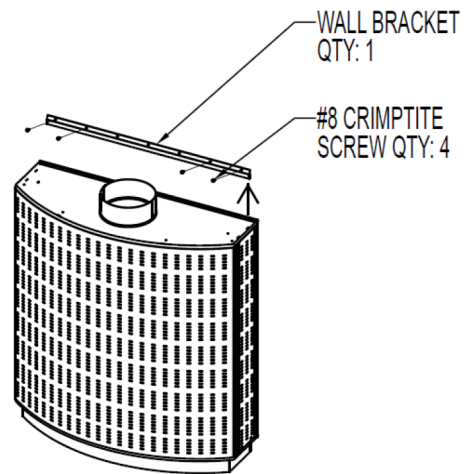
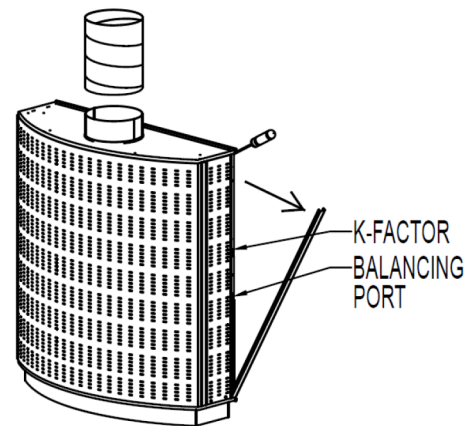


Figure 3

**Commissioning (Balancing):** The balancing port is positioned on the side behind the decor strip. The K-factor of the unit is stated on the K-factor label mounted on one of the side of the balancing port. The k-factor can also be found on our website in the relevant k-factor guide. See Figure 4

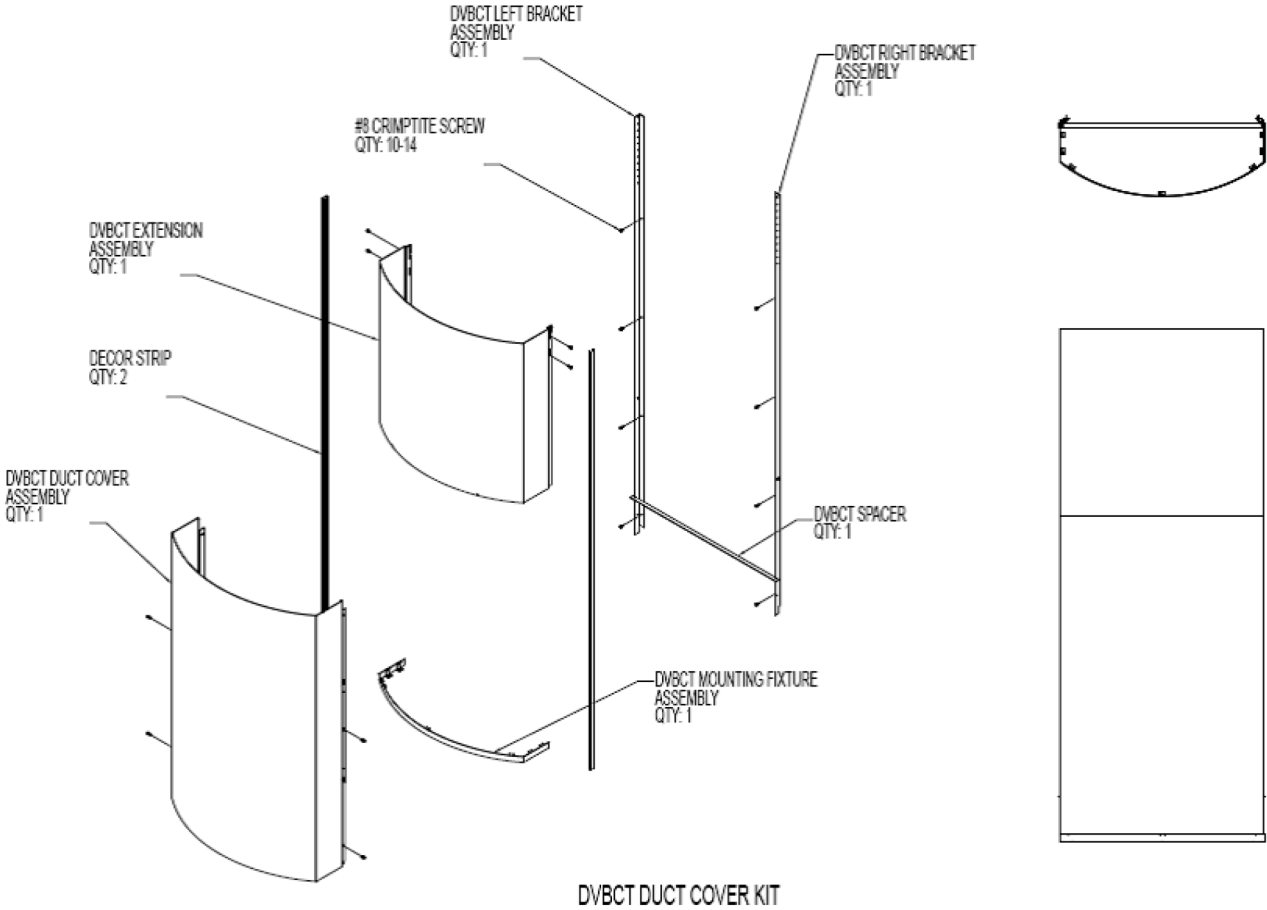


### COMMISSIONING

Figure 4



# DVBC Duct Cover Installation



## DVBC Duct Cover Installation (continued)

### STEP 1

Cut the brackets according to the ceiling height keeping 0-2" distance between the ceiling and top of the bracket.

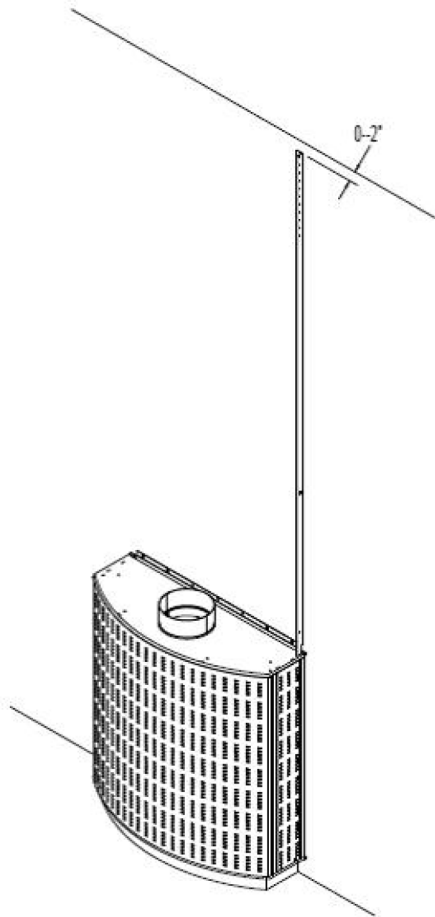


Figure 1

### STEP 2

Using spacers align the brackets to the end of the unit keeping 0.67" distance from the end face of the unit. Screw the left and right brackets to the wall.

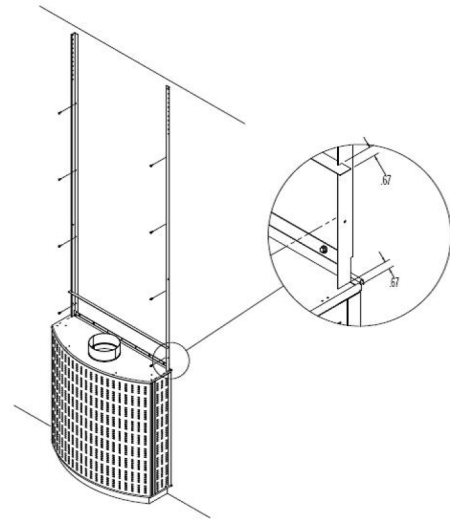


Figure 2

### STEP 3

Install the duct onto the unit. Align the top edge of the brackets with the top face of the extension and install the extension assembly onto the brackets using screws.

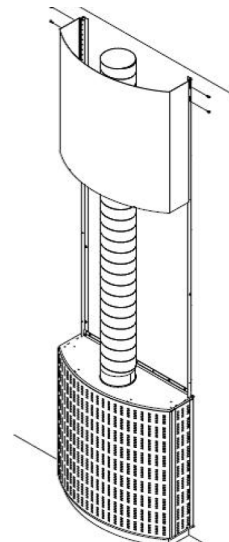


Figure 3

## DVBC Duct Cover Installation (continued)

### STEP 4

Mount the mounting fixture assembly on the top of the unit.

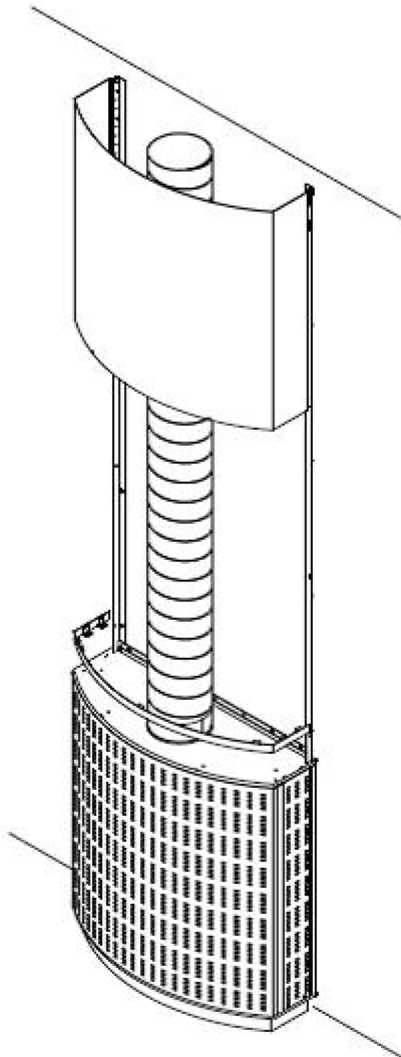


Figure 4

### STEP 5

Slide the duct cover in-between the mounting strip and the aluminum strip and assemble it to the brackets using screws. Snap the décor strips into the springs of the extension and duct cover assemblies.

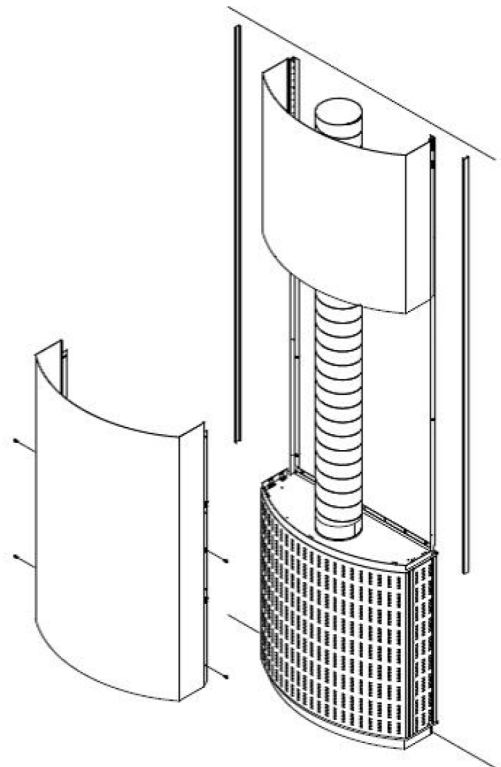


Figure 5

## DVRI Installation

### STEP 1

Drill the holes and install the mounting base into place using screws.

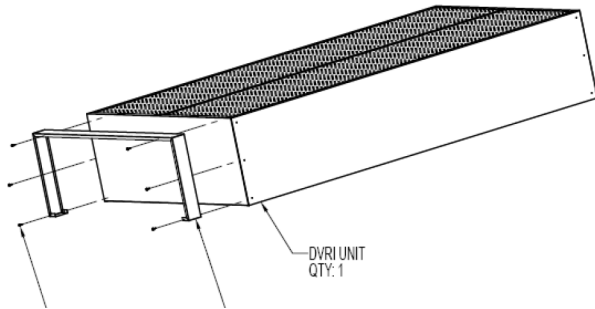


Figure 1

### STEP 2

In Wall Mounting - Install the four Angle brackets on the top of the unit using screws. (You may need to cut the angle strips to match the overall dimensions of the unit.) Install the unit into the wooden frame and screw to the sides. Install angle strips from the sides to the front of the unit using screws.

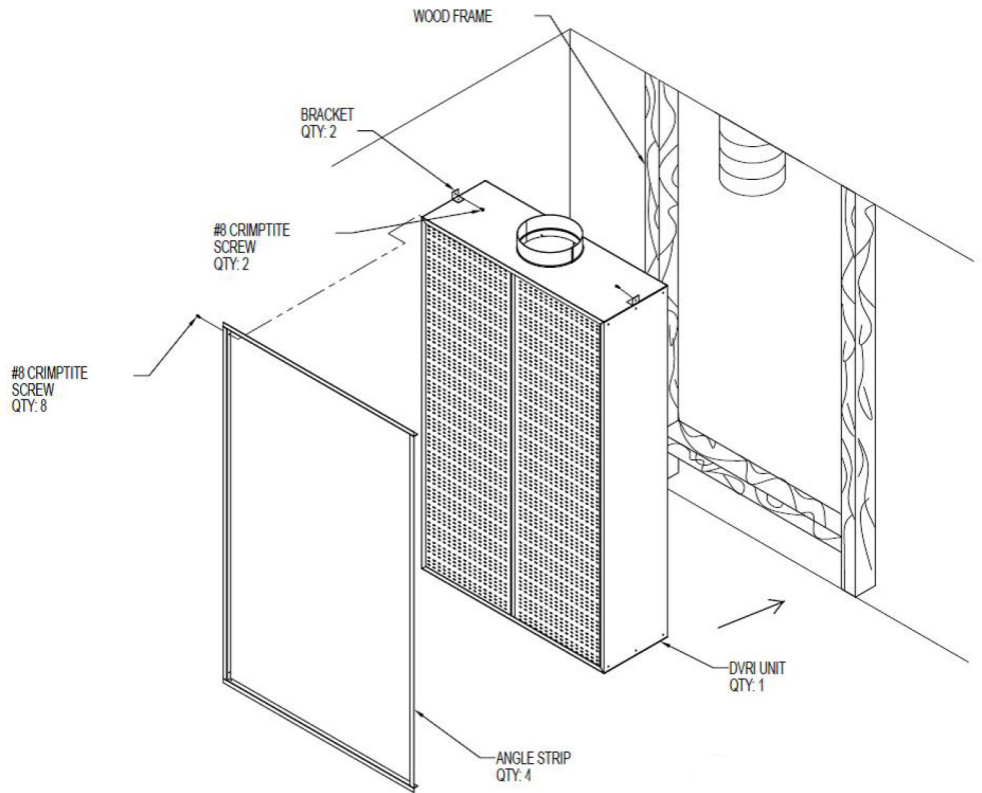


Figure 2

## DVRI Installation (continued)

### STEP 3

Floor Mounting - Using Angle Strips screw the unit to the wall from the top and the sides. (You may need to cut the angle strips to match the overall dimensions of the unit.)

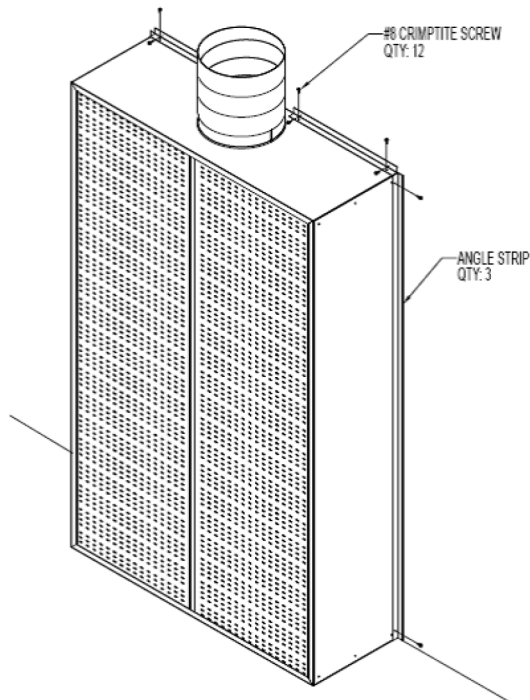


Figure 3

### STEP 4

Mounting against the wall - Using Angle Strips screw the unit against the wall from the top and the bottom. (You may need to cut the angle strips to match the overall dimensions of the unit.)

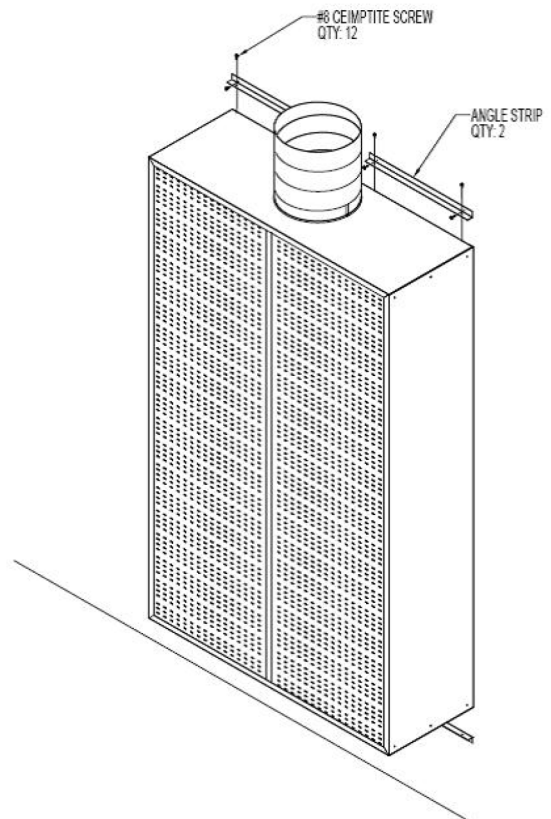
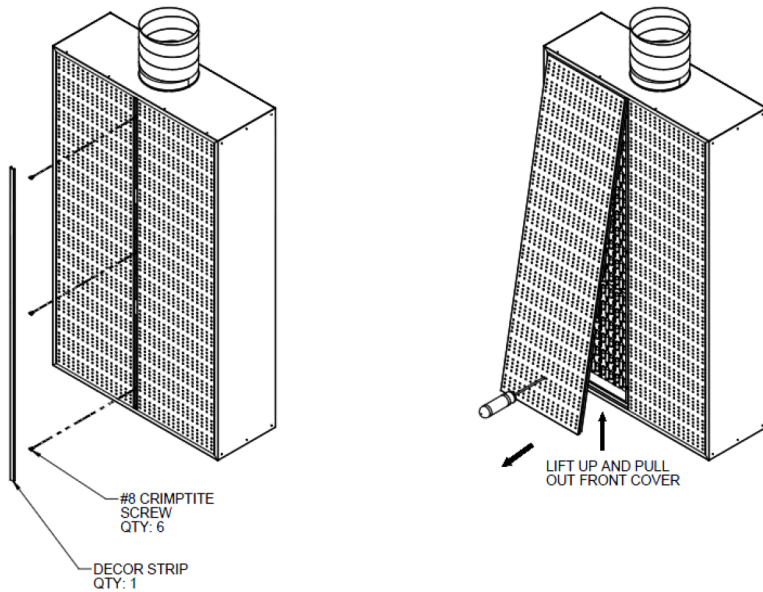


Figure 4

## DVRI Installation (continued)

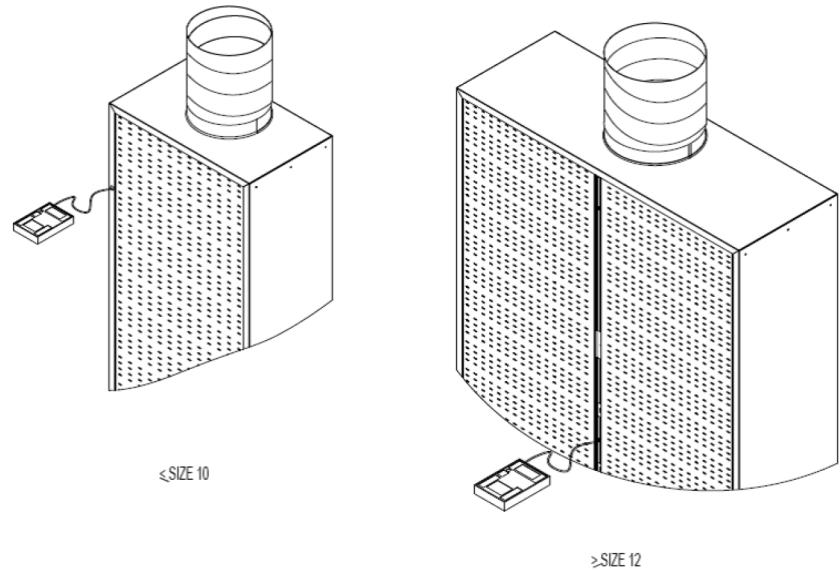
**Commissioning (Balancing):** Uninstall the front cover for maintenance. For Size < 10 the balancing port is positioned on the side of the unit behind the white plug and For Size > 12 the balancing port is positioned in the center behind the decor strip. The K-factor of the unit is stated on K-factor

label mounted on long bracket behind the front cover for Size < 10 and on one of the side of the balancing port for Size > 12. The k-factor can also be found on our website in the relevant k-factor guide. See Figure 6



MAINTAINANCE & COMMISSIONING

Figure 5



COMMISSIONING

Figure 6



## DVIR Installation

### STEP 1

Screw the Plenum-Inlet Assembly into place through the sides.

**Note:** Plenum-Inlet Assembly is mounted before the wall board is fixed

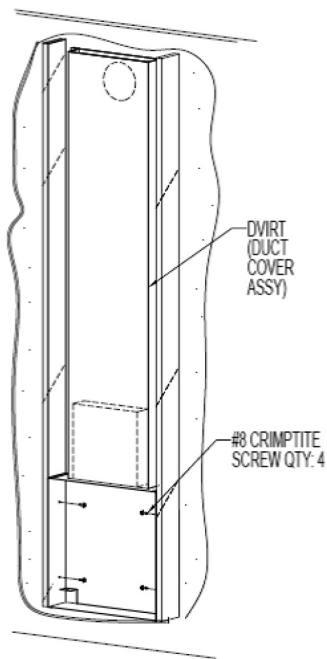


Figure 1

### STEP 2

Install the Mounting frame-Distributor assembly to the wall board using screws.

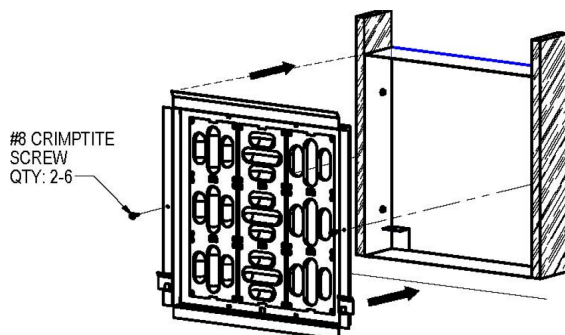


Figure 2

### STEP 3

Install front cover onto the Mounting frame-Distributor assembly.

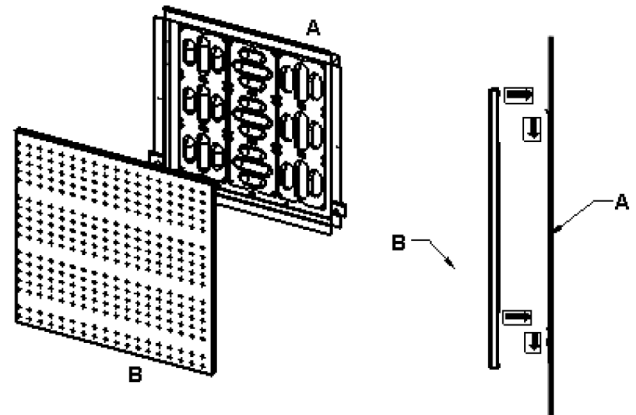


Figure 3

**Commissioning (Balancing):** Uninstall the front cover for commissioning. The balancing port is positioned on the lower edge of the unit. The K-factor of the unit is stated on K-factor label placed on one of the side of the Plenum box. The k-factor can also be found on our website in the relevant k-factor guide. See Figure 4

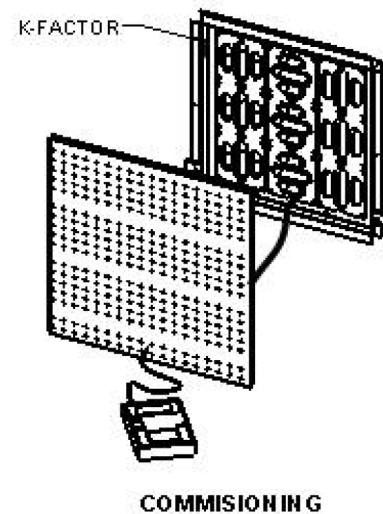


Figure 4



605 Shiloh Rd  
Plano TX 75074  
ofc: 972.212.4800  
fax: 972.212.4884

Redefine your comfort zone.™ | [www.titus-hvac.com](http://www.titus-hvac.com)

