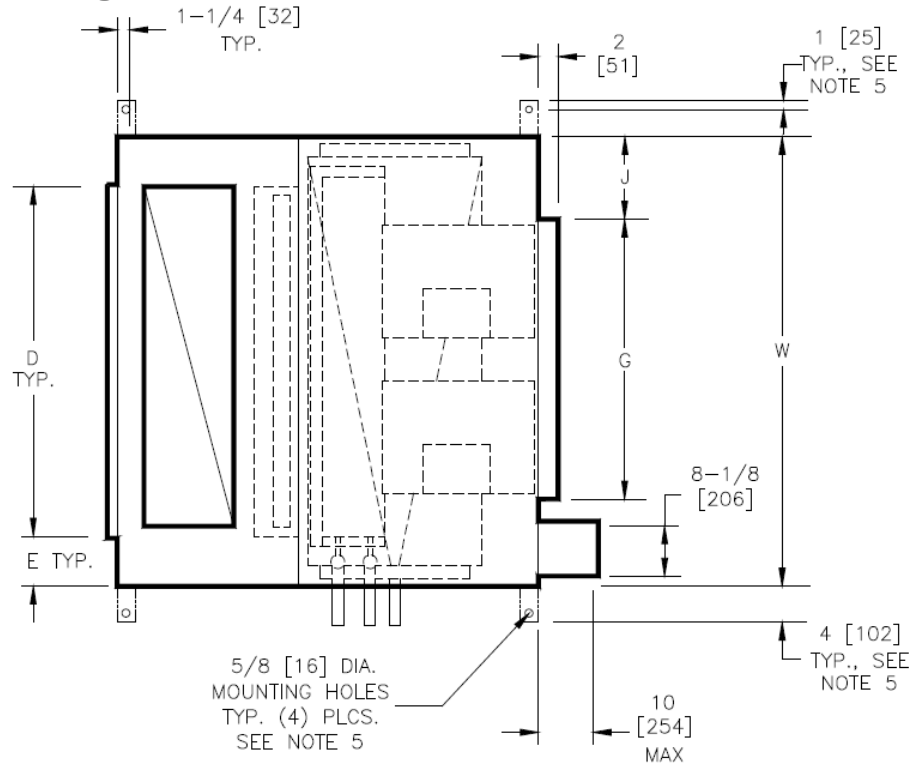


TBVD Dual Blower Arr. 3 & Mixing Box

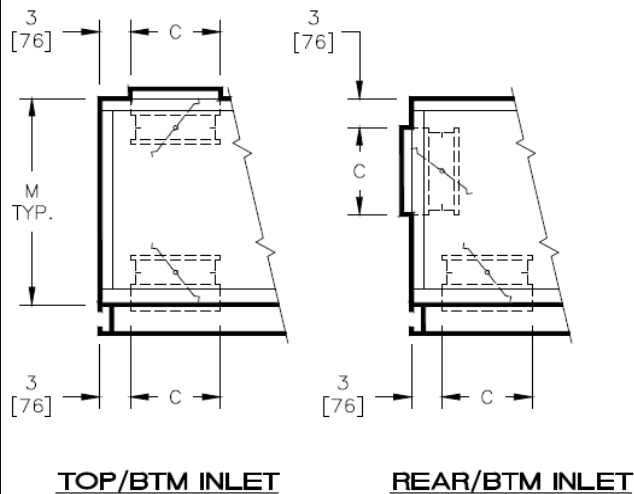
Direct Drive Dual Blower Coil Unit Discharge
ARGT. 3 w/Mixing Box

NOTES:

1. All dimensions are Inches [millimeters]. All dimensions are $\pm 1/4"$ [6mm]. Metric values are soft conversion.
2. Right hand unit shown, left hand unit opposite. Motor/drive location may be specified Left or Right Hand. Standard control enclosure location matches motor/drive position.
3. Provide sufficient clearance to permit access to controls and comply with applicable codes and ordinances.
4. See drawing BC-TBHD-16.0 for filter rack details.
5. Base rail is optional on the base unit. See drawing BC-TBHD-18.0. Base rails must be used with mixing box.
6. See coil connection details drawings for Coil connection sizes and locations.

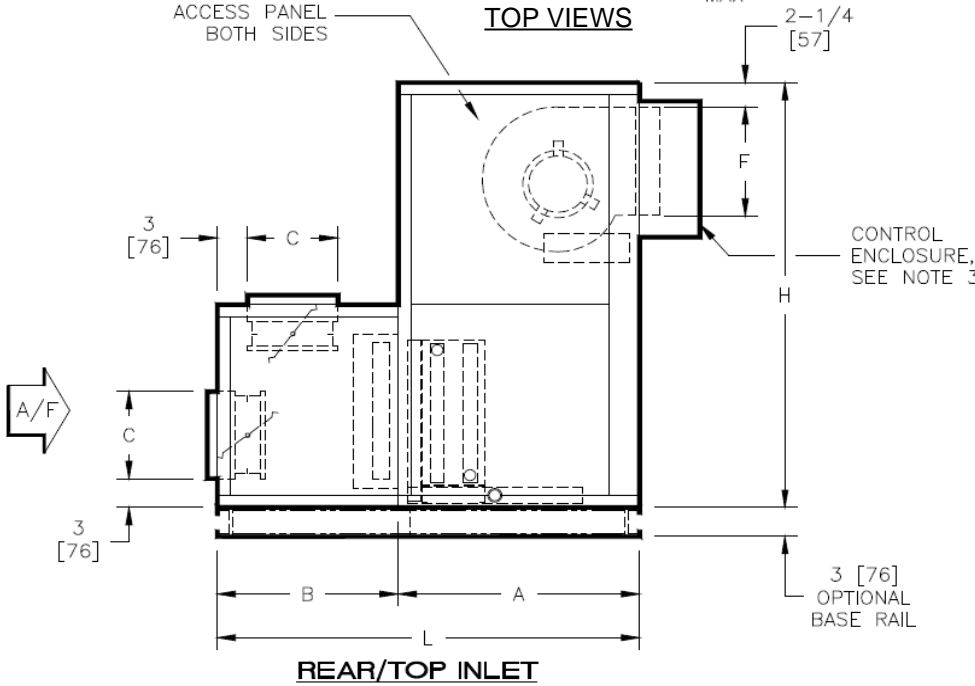


TOP VIEWS



TOP/BTM INLET

REAR/BTM INLET



SIDE VIEW

REAR/TOP INLET

DIMENSIONS

SIZE	UNIT MODEL	L	W	H	A	B	C	D	E	F	G	J	M
30	10 X 8 [254 X 203]	51 [1295]	59 [1499]	56 [1422]	30 [762]	21 [533]	12 [305]	45 [1143]	7 [178]	18 [457]	36-1/2 [927]	11-1/4 [286]	30 [762]
40	10 X 8 [254 X 203]	54 [1372]	68 [1727]	59 [1499]	30 [762]	24 [610]	15 [381]	48 [1219]	10 [254]	18 [457]	36-1/2 [927]	15-3/4 [400]	30 [762]

Revision	Date	Initiated By	Description
New	08/04/22	SP	New Release
Revision Date	Version Date	Initiated By	Description