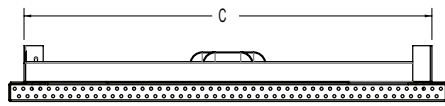
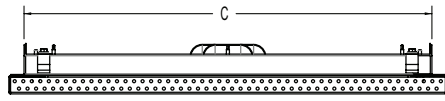
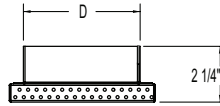


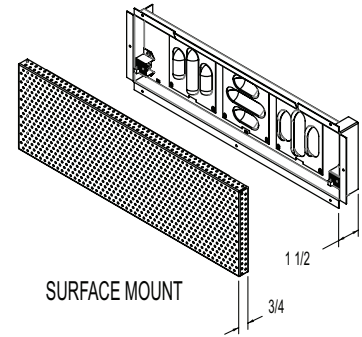
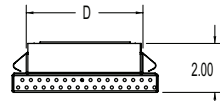
DVR1 UNIT DIMENSIONS



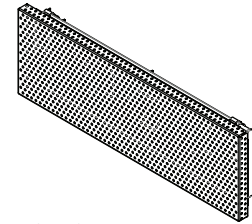
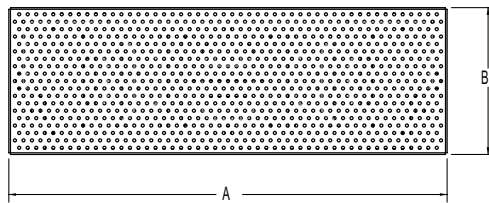
SURFACE MOUNT



FLUSH MOUNT

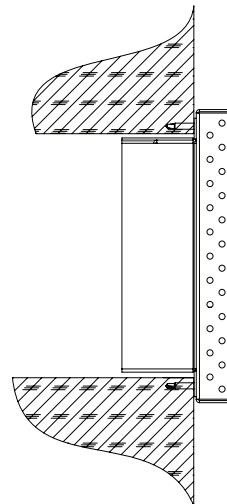


SURFACE MOUNT

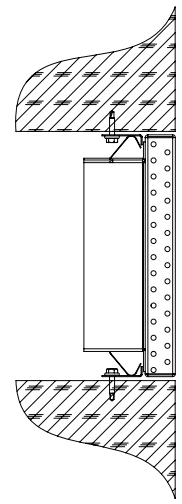


FLUSH MOUNT

Model	Nominal Unit Size	Unit Dimensions (inches)			
		A	B	C	D
DVR1	6 x 18	6	18	4 ³ / ₄	16 ⁴ / ₅
	12 x 12	12	12	10 ³ / ₄	10 ⁴ / ₅
	18 x 6	18	6	16 ³ / ₄	4 ⁴ / ₅
	18 x 8	18	8	16 ³ / ₄	6 ⁴ / ₅
	18 x 12	18	12	16 ³ / ₄	10 ⁴ / ₅
	24 x 6	24	6	22 ³ / ₄	4 ⁴ / ₅
	24 x 8	24	8	22 ³ / ₄	6 ⁴ / ₅
	24 x 12	24	12	22 ³ / ₄	10 ⁴ / ₅
	24 x 24	24	24	22 ³ / ₄	22 ² / ₅
	24 x 30	24	30	22 ³ / ₄	28 ⁷ / ₅
	24 x 36	24	36	22 ³ / ₄	34 ⁴ / ₅
	24 x 48	24	48	22 ³ / ₄	46 ² / ₅
	30 x 6	30	6	28 ³ / ₄	4 ⁴ / ₅
	30 x 8	30	8	28 ³ / ₄	6 ⁴ / ₅
	30 x 24	30	24	28 ³ / ₄	22 ² / ₅
	36 x 6	36	6	34 ³ / ₄	4 ⁴ / ₅
	36 x 8	36	8	34 ³ / ₄	6 ⁴ / ₅
	36 x 24	36	24	34 ³ / ₄	22 ² / ₅
	40 x 6	40	6	38 ³ / ₄	4 ⁴ / ₅
	40 x 8	40	8	38 ³ / ₄	6 ⁴ / ₅
48 x 6	48	6	46 ³ / ₄	4 ⁴ / ₅	
48 x 8	48	8	46 ³ / ₄	6 ⁴ / ₅	
48 x 24	48	24	46 ³ / ₄	22 ² / ₅	
60 x 8	60	8	58 ³ / ₄	6 ⁴ / ₅	

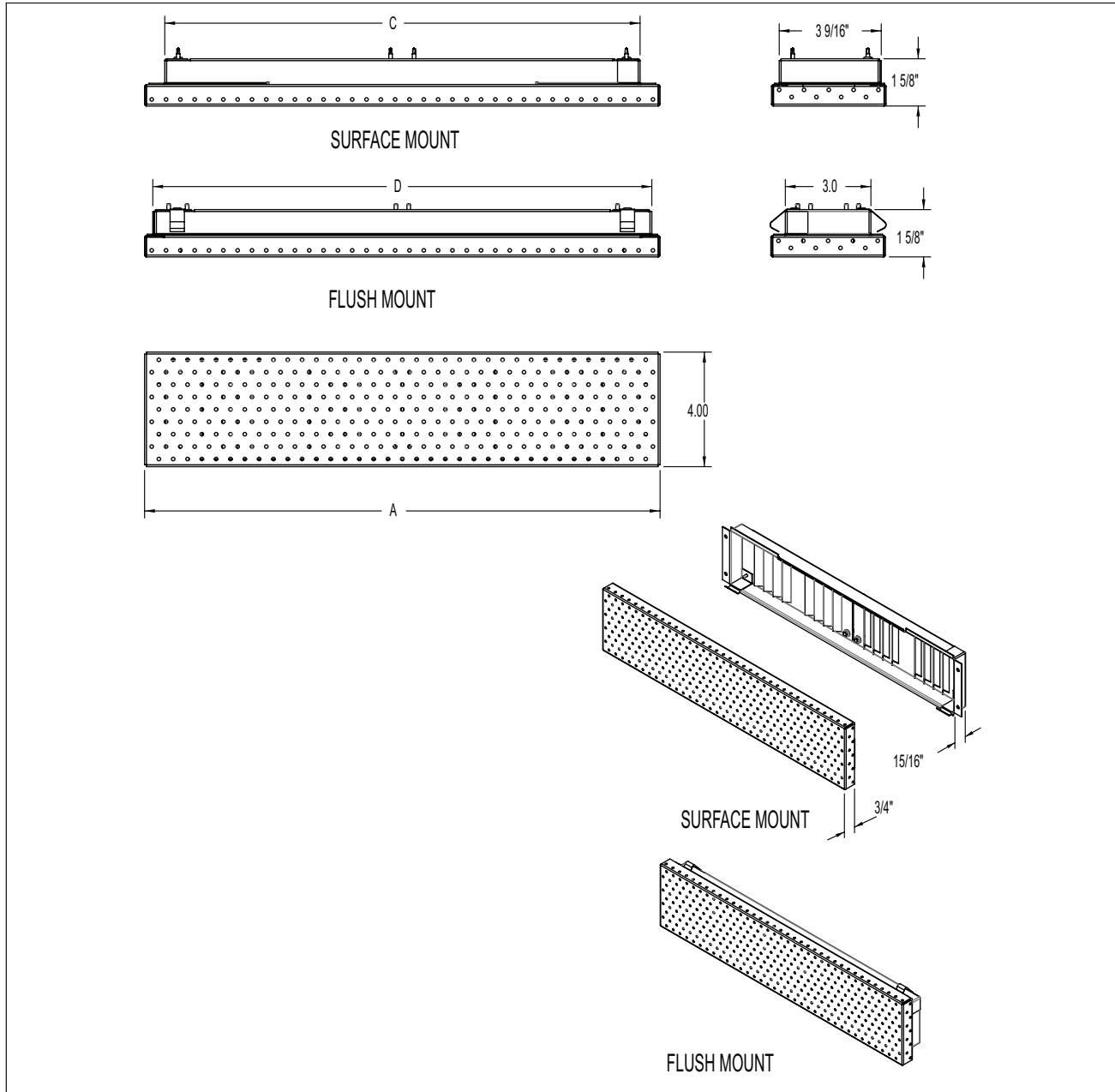


SURFACE MOUNT



FLUSH MOUNT

DVR1 (4") UNIT DIMENSIONS



Unit Size	A	C	D
18 x 4	18.00	16 ⁵ / ₈	17 ¹ / ₂
24 x 4	24.00	22 ⁵ / ₈	23 ¹ / ₂
30 x 4	30.00	28 ⁵ / ₈	29 ¹ / ₂
36 x 4	36.00	34 ⁵ / ₈	35 ¹ / ₂
40 x 4	40.00	38 ⁵ / ₈	39 ¹ / ₂
48 x 4	48.00	46 ⁵ / ₈	47 ¹ / ₂

For detailed instructions on how to change the adjacent zone using the variable air pattern controllers, refer to page T82