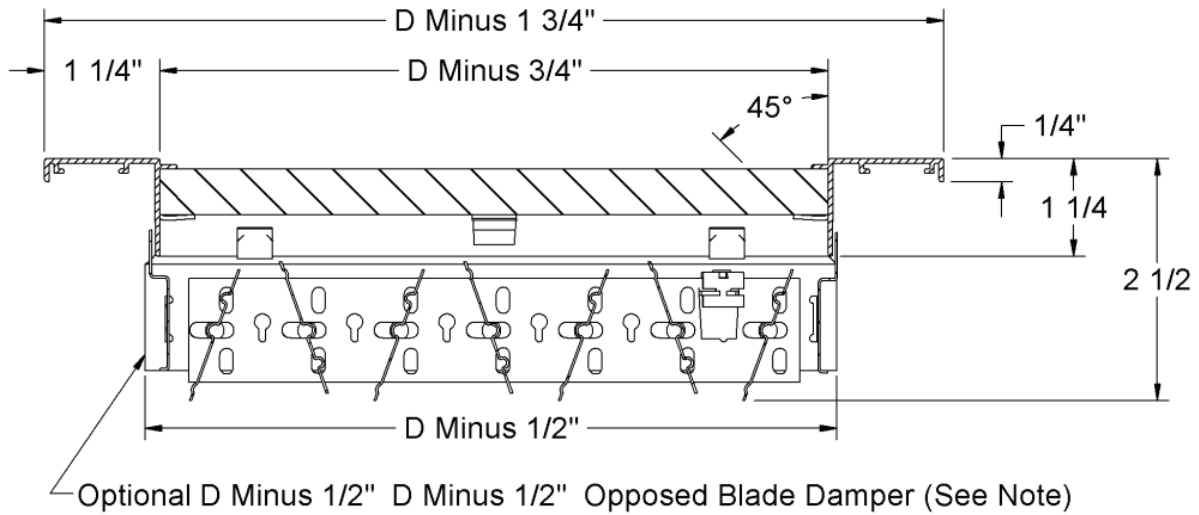


45F DIMENSIONS

45F - Border Type 1 (Surface Mount)



AVAILABLE SIZES (D" X D")

TYPE 1 SURFACE MOUNT FRAME				
NOMINAL SIZE	10 x 10	22 X 10	22 X 22	46 X 22

TYPE 3 LAY-IN FRAME	MODULE SIZE			
	12 X 12	24 X 12	24 X 24	48 X 24
NOMINAL SIZE(S)	10 X 10		10 X 10	10 X 10
		10 X 10	22 X 10	22 X 10
		22 X 10	22 X 10	22 X 22
			22 X 22	46 X 22