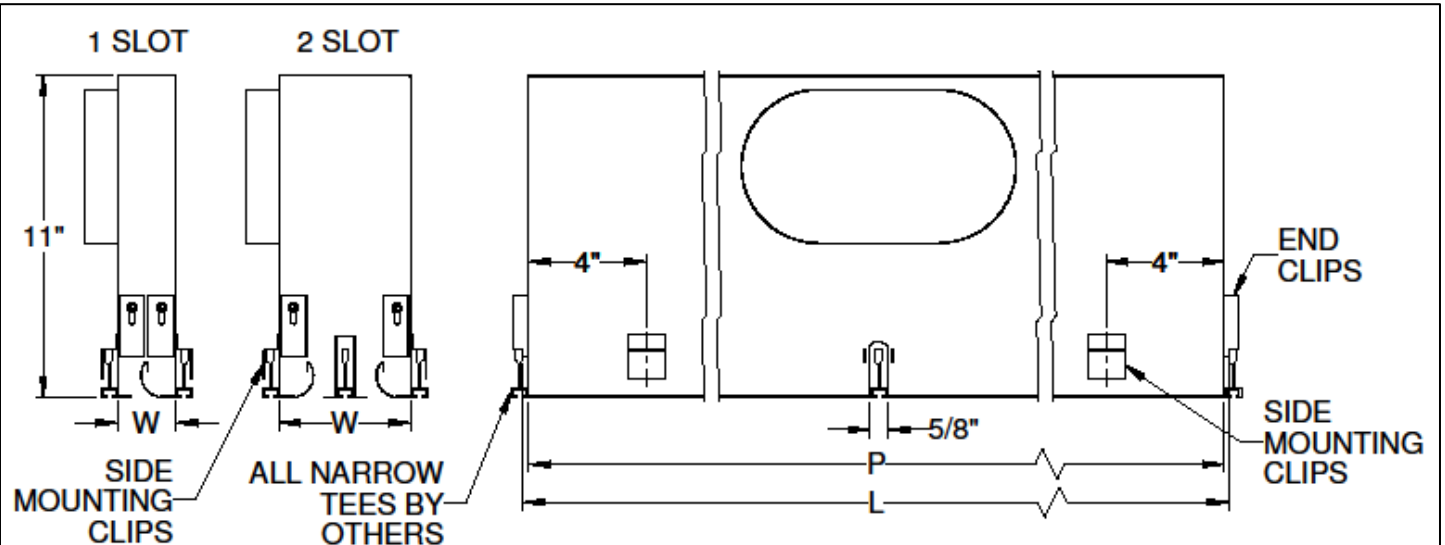


Plenum Slot Diffusers

Adjustable • High Capacity

- Model: TBD-10-NT • Narrow Tee • 1 or 2 Slots
 TBDI-10-NT • Narrow Tee • 1 or 2 Slots • Insulated
 TBD-10-FB-NT • Narrow Tee • 1 or 2 Slots • Fixed Blades
 TBDI-10-FB-NT • Narrow Tee • 1 or 2 Slots • Insulated • Fixed Blades



Number of Slots	Slot Width S	F	W	X
1	1	1/2	2	-
	1 1/2	1/2	2 1/2	-
2	1	1/2	4 1/2	1
	1 1/2	1/2	5 1/2	1 1/4

Standard Oval Inlets
6, 8, 10, 12

Nominal Length	Overall Length L	Plenum Length P
24	23 3/4	23 3/8
48	47 3/4	47 3/8

*TBD-10-NT 2-slot models; slots must be separated by a center channel.
 T-bar furnished by others.
 End caps not insulated.
 Dimensions are in inches.

Style MTC includes:

- Cross notch on 48" diffuser
- End cap clips
- Center channel
- Side mounting clips

The TBD-10 is available with the pattern controller blades: Check if provided.

Shipped loose for field installation.

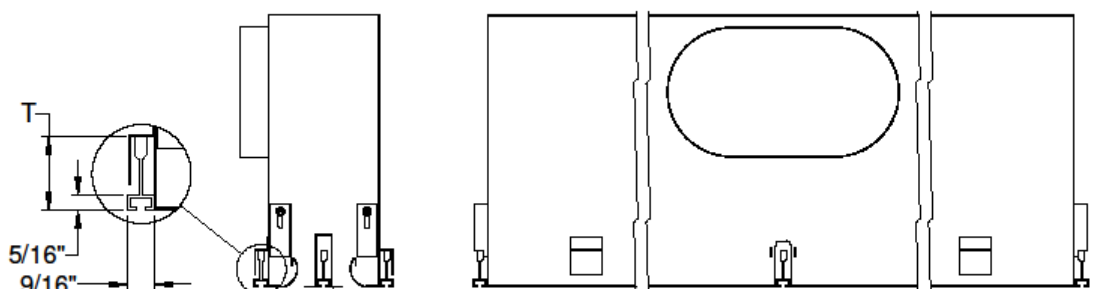
Factory installed (at an additional charge). (Model TBD-10-FB)
 Factory installed blades are shipped in the direction as shown above.

Mounting Clip Dimensions for Various Height T-Bars

Check if provided.

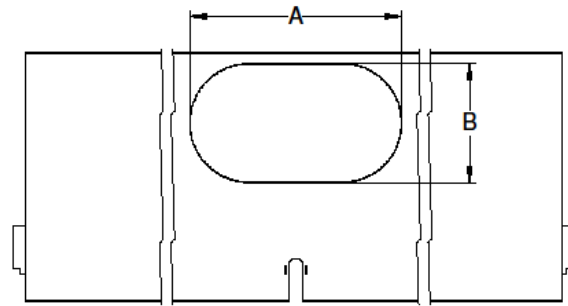
- MTC Code A
 MTC Code C
 MTC Code D

MTC Code	T
A	1 1/2"
C	1 5/8"
D	1 7/8"



Standard Inlet Sizes • Dimensions

Standard Inlet Size	A	B
6" Oval	6 1/4	5 1/4
8" Oval	9 3/8	5 1/4
10" Oval	12 1/2	5 1/4
12" Oval	15 9/16	5 1/4
No Inlet	-	-



Cross Notch is standard for 48" diffuser.

Accessories (Optional) Check if provided.

- Optional inlet damper. Shipped loose, 4" deep.
- Optional Earthquake Tabs (2 Tabs per Diffuser).
- Internal insulation (Model TBDI-10-NT, TBDI-10-FB-NT).
Note: End caps are not insulated.

General Description

Standard Finish: #02 Black pattern controllers and exposed surfaces, white optional T-Bars.

- High capacity. Handles a large volume of air for a given pressure drop and sound level.
- For use with 9/16 bolt-slot narrow tee ceiling grids.
- Model TBD-10-NT has side mounting clips that secure the diffuser to narrow T-bars furnished by others.
- Center channel provided in 2-slot models for clearance of a bolt-slot narrow tee by others.
- Air pattern control blade is offered with the option of being factory installed (TBD-10-FB-NT) or shipped loose for field installation. In either case the air pattern control blade can be adjusted from the face of the diffuser to obtain the required air throw direction.
- The TBD-10-NT is an excellent choice for variable volume systems. The design includes an aerodynamically curved blade that ensures a horizontal pattern from minimum to maximum throw.
- Outside edge of the face has a double metal thickness to ensure rigidity and straightness.
- Slot widths available: 1" or 1½".
- Number of slots available: 1 or 2.
- Lengths available: 24" and 48".
- 24" length has 1 blade per slot. 48" length has 2 blades per slot and is provided with standard cross-notch for clearance of a bolt-slot narrow tee by others.
- Material is steel.

This submittal is meant to demonstrate general dimensions of this product. The drawings are not meant to detail every aspect of the product. Drawings are not to scale. Titus reserves the right to make changes without written notice.

All rights reserved. No part of this work may be reproduced or transmitted in any form or by any means, electronic or mechanical, including photocopying and recording, or by any information storage retrieval system without permission in writing from Air Distribution Technologies.