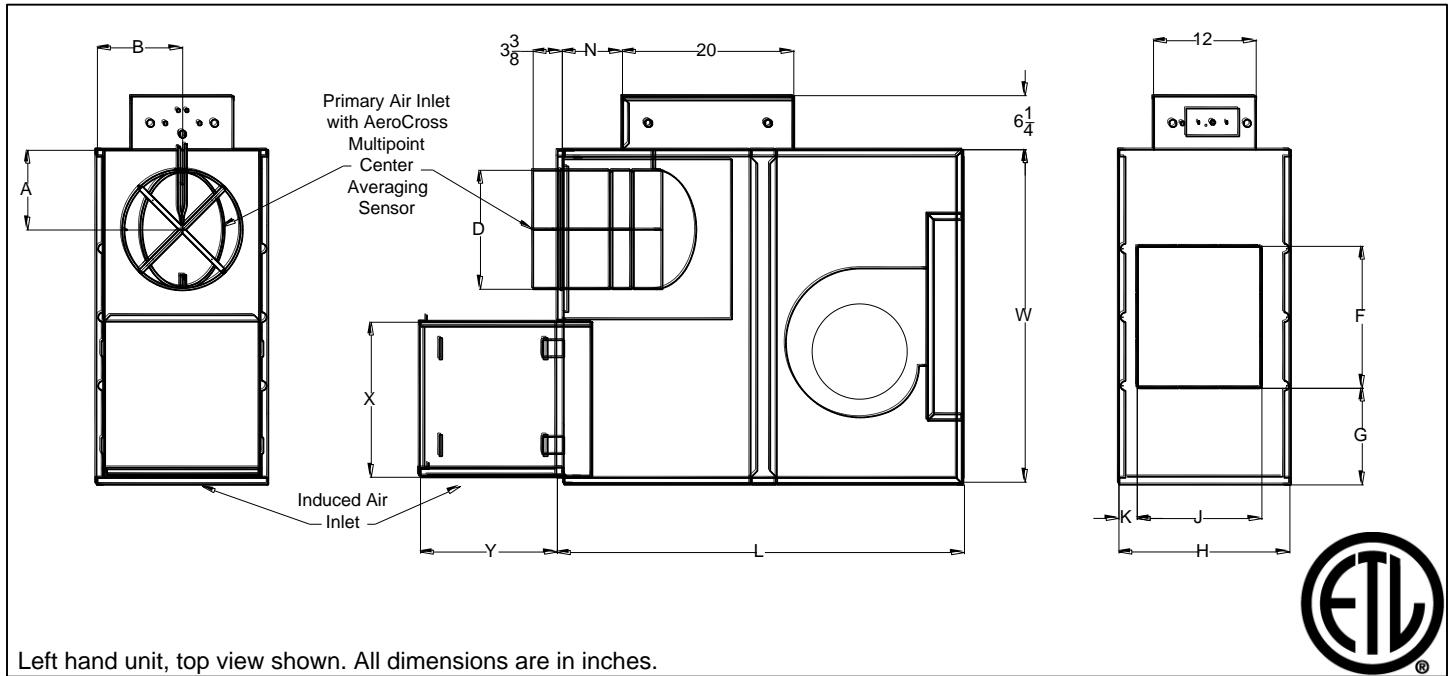


## ATFS-F Phantom IQ™, TITAN™ Programmed ECM Motor

Ultra Quiet Fan Powered Terminal, Series Flow  
Analog Control, Pressure Independent



Left hand unit, top view shown. All dimensions are in inches.

Unit Size	Inlet Size	A	B	X	Y	D	Induced Air Inlet		F	G	H	J	K	L	N	W	Filter Size
							Height	Width									
B	6	6	8	19	13 7/8	5 7/8	12 5/8	8 3/4	14	11 1/2	16	11	2 1/4	43	2 7/8	37	11 x 14
	8	6				7 7/8									4 7/8		
	10	7				9 7/8									4 7/8		
	12	8				11 7/8									4 7/8		
C	6	6	10	18 1/8	16 7/8	5 7/8	16 5/8	15 3/4	16 1/2	11 1/4	20	14 5/8	2	46 3/4	2 7/8	39	18 x 17
	8	6				7 7/8									4 7/8		
	10	7				9 7/8									4 7/8		
	12	8				11 7/8									4 7/8		
D	10	7	10	18 1/8	16 7/8	9 7/8	16 5/8	15 3/4	16 1/2	11 1/4	20	14 5/8	2	46 3/4	4 7/8	39	18 x 17
	12	8				11 7/8									4 7/8		
	14	10				13 7/8									4 7/8		
	16	11				15 7/8									4 7/8		
E	12	8	10	18 1/8	16 7/8	11 7/8	16 5/8	15 3/4	16 1/2	11 1/4	20	14 5/8	2	46 3/4	4 7/8	39	18 x 17
	14	10				13 7/8									4 7/8		
	16	11				15 7/8									4 7/8		
		11				15 7/8									4 7/8		

### ECM Motor Amperage Ratings

Unit Size	Motor hp	120V/1/60 FLA	208V/1/60 FLA	277V/1/60 FLA
B	1/3	5.0	3.3	2.6
C	1/3	5.0	3.3	2.6
D	1/2	7.7	5.0	4.1
E	3/4	9.6	7.9	5.5

FLA = Full Load Amperage, rated per the motor nameplate

All fan motors are single phase, same voltage as electric coil (when supplied), with exception that 277V motors are used with 480V, 3 phase coils (4 wire wye).

### Accessories (Optional)

Check  if provided.

- Induced Air Filter, 1" thick, disposable construction type.
- Fan disconnect switch (not available on units with optional electric coils.)
- Fibre Free Liner
- SteriLoc Liner
- 1/2" EcoShield Liner
- 1/2" Fibre Free Liner
- 1/2" EcoShield Liner (Foil Face)
- Fan unit fusing
- 1" Fiberglass Liner
- 1" EcoShield Liner
- 1" EcoShield Liner (Foil Face)
- 1" Fibre Free Liner
- Hanger Brackets
- Cam Latch for Access Door
- OSP & IBC Certification

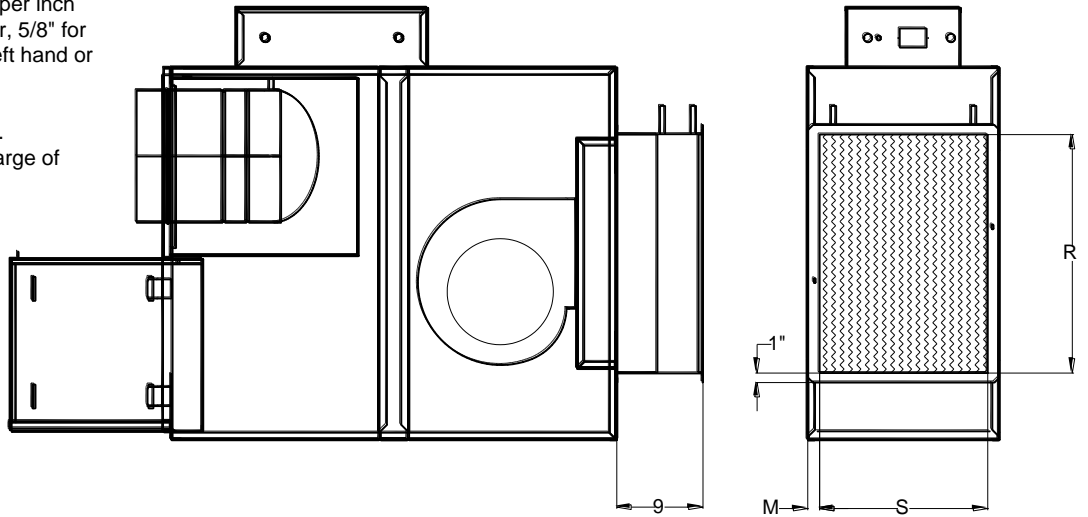
## Accessories (Optional)

Hot Water Coil Section

- 1/2" copper tubes
- Aluminum ripple fins, 10 per inch
- Connections: Male solder, 5/8" for both 1-row and 2-row. Left hand or right hand connections.
- Galvanized steel casing
- Flanged duct connection.
- Coil is installed on discharge of unit.

1 Row

2 Row



Unit Size	M (1 row)	M (2 row)	R	S
B,C	1	1	20 1/2	12 1/2
D,E	1	1 1/4	25	17 1/2

R and S are inside dimensions.

Electric Coil Section

**Standard Features**

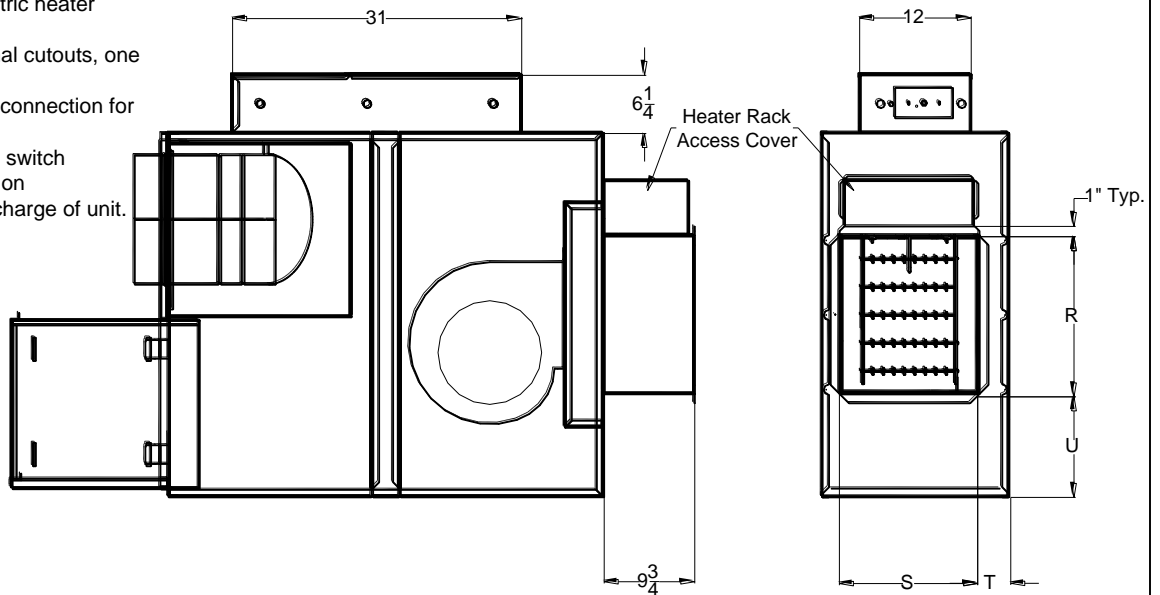
- Single side access to low voltage, high voltage, and electric heater controls.
- Automatic reset thermal cutouts, one per element
- Single point electrical connection for entire unit
- Positive pressure flow switch
- Flanged duct connection
- Coil is installed at discharge of unit.
- Transformer

**Options**

- Fuse Block
- Disconnect switch, door interlock type
- Manual reset cutout
- Dust tight construction
- Mercury contactors

**Supply Voltage**

- 208V, 1 ph, 60Hz
- 240V, 1 ph, 60Hz
- 277V, 1 ph, 60Hz
- 208V, 3 ph, 60Hz
- 480V, 3 ph, 60Hz (4 wire wye only)

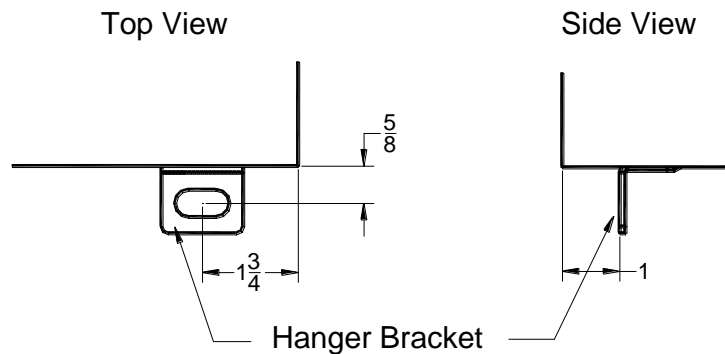


Unit Size	U	R	S	T
B,C	11 3/8	14 1/2	11 1/2	3 3/8
D,E	11	17	15	3 1/8

R and S are inside dimensions.

## Accessories (Optional)

### Hanger Bracket Location



## General Description

- Heavy steel casing, with leak resistant construction.
- Dual density insulation, coated to prevent air erosion, meet requirements of NFPA 90A and UL 181.
- Ultra high efficiency, brushless DC ECM motor with a unique microprocessor based motor controller.
- Manual PWM controller allows simple screwdriver adjustment of fan speed.
- Optional remote PWM controller allows for a 0-10 V signal from the DDC controller to adjust the fan speed.
- Efficiencies of up to 70% across the entire operating range.
- Provides a large turndown ratio
- Constant volume regardless of changes in downstream static pressure allows for factory setting of cfm.
- Patent-pending FAST™ attenuator system that greatly reduces radiated sound power levels. The FAST™ attenuator ships assembled inside the casing, pulls out easily and snaps into place for operation.
- Top and bottom access panels can be removed for service.
- Multipoint, center averaging velocity sensor.
- Primary air flow balancing connections.
- Pressure independent primary flow control.
- Single point electrical connections.
- Rectangular discharge opening is designed for flanged duct connections.
- Electronic proportional room thermostat with adjustable setpoints for temperature and airflow is included with unit.
- Minimum and maximum airflow adjustments are made at the thermostat, using a digital voltmeter.
- Only Titus analog controls approved for seismic installation.
- OSHPD Seismic Certification: OSP-0352-10

This submittal is meant to demonstrate general dimensions of this product. The drawings are not meant to detail every aspect of the product. Drawings are not to scale. Titus reserves the right to make changes without written notice.