

## 350 / 355 (RLF-RSF / FLF-FSF / -SS)

Steel, Aluminum and Stainless Steel

### Available Steel Models:

#### 3/4" Spacing

- 350RLF1 / 1" Filter
- 350RSF1 / 1" Filter
- 350RLF2 / 2" Filter
- 350RSF2 / 2" Filter

#### 1/2" Spacing

- 355RLF1 / 1" Filter
- 355RSF1 / 1" Filter
- 355RLF2 / 2" Filter
- 355RSF2 / 2" Filter

### Available Aluminum Models:

#### 3/4" Spacing

- 350FLF1 / 1" Filter
- 350FSF1 / 1" Filter
- 350FLF2 / 2" Filter
- 350FSF2 / 2" Filter

#### 1/2" Spacing

- 355FLF1 / 1" Filter
- 355FSF1 / 1" Filter
- 355FLF2 / 2" Filter
- 355FSF2 / 2" Filter

### Available 304 Stainless Steel Models:

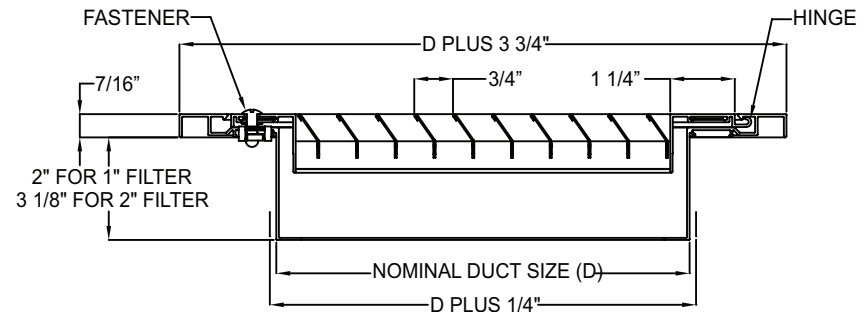
#### 3/4" Spacing

- 350RLF1-SS / 1" Filter
- 350RSF1-SS / 1" Filter
- 350RLF2-SS / 2" Filter
- 350RSF2-SS / 2" Filter

### Products Include:

- 35° Fixed Deflection - Steel and Aluminum
- 45° Fixed Deflection - Stainless Steel
- 1/4-Turn Fastener
- 1- or 2" Filter Frame.
- Available Border Types:
  - #1 - Surface Mount
  - #3 - Lay-In
- Standard Finish - #26 White (Steel and Aluminum Models)
- Standard Finish - #04 Mill (Stainless Steel Models)

350RLF1 / 350RLF2 - Border Type 1(Surface Mount) & Border Type 3 (Lay-in T-Bar)



Available sizes (D" x D") are 10 x 8 inches through 48 x 36 inches in 1" increments. Odd sizes are available at additional cost.

Please refer to page H50 for Hinge Locations