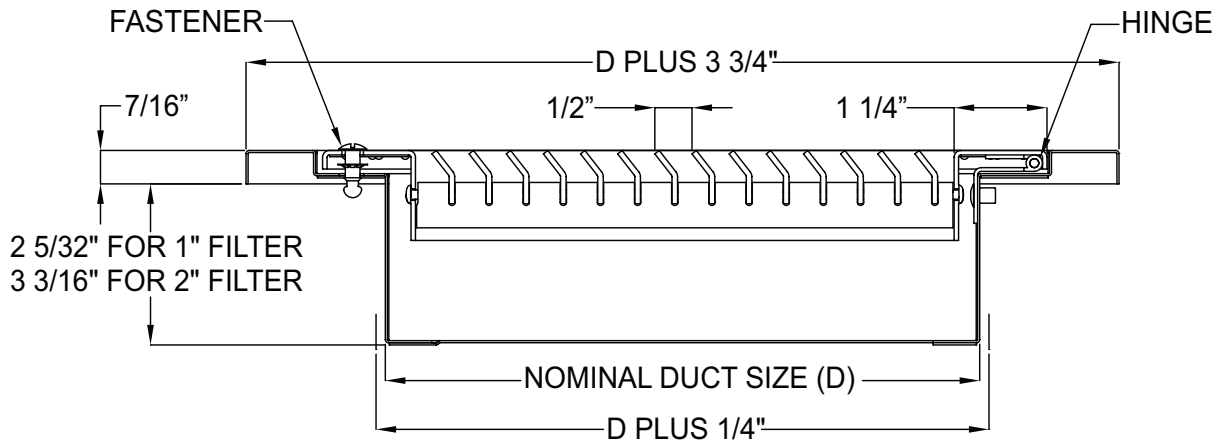


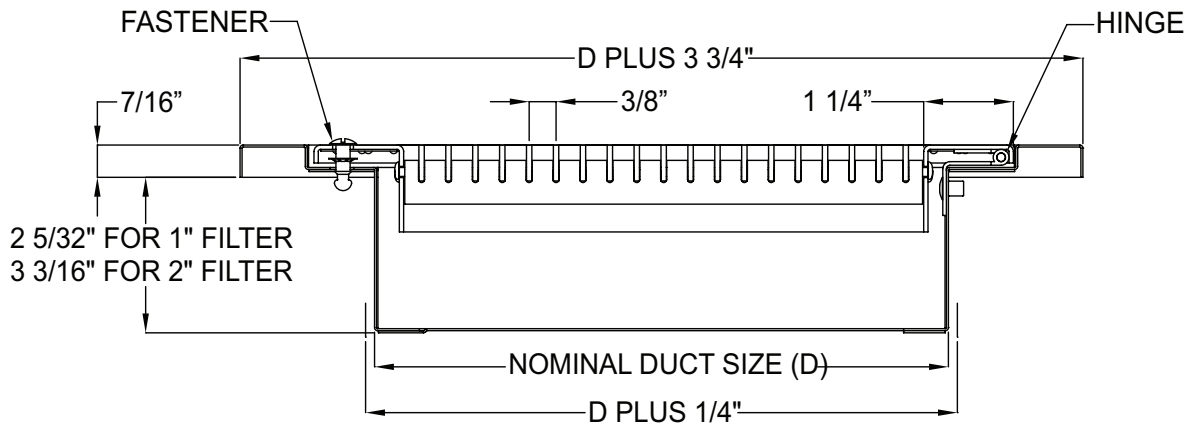
33 / 30 (RFL / RFS) DIMENSIONS

38° Deflection Models 33RFL / RFS - Border Type 1



Duct opening should be nominal duct size (D) plus 1/4"  
Side Cross-Sectional View:  
Border Type 1 (Surface Mount)

0° Deflection Models 30RFL / RFS - Border Type 1



Duct opening should be nominal duct size (D) plus 1/4"  
Side Cross-Sectional View:  
Border Type 1 (Surface Mount)

Please refer to page I85 for Hinge Locations