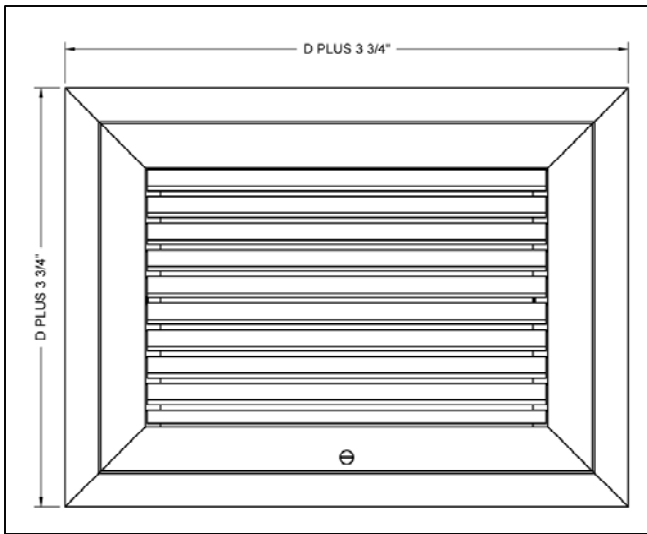
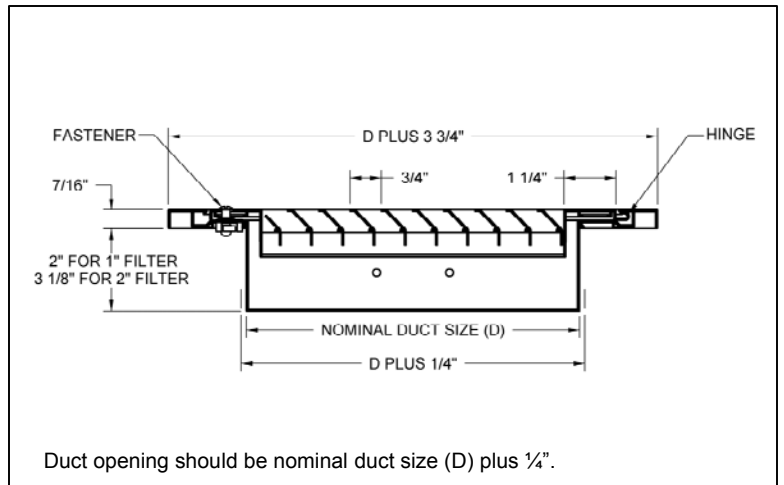


Louver Return Filter Grilles • AeroBlade Series • Aluminum

Models: 3FFL • 45° Deflection • Long Blades • 3/4" Spacing
 3FFS • 45° Deflection • Short Blades • 3/4" Spacing



Face View:
 Border Type 1 (Surface Mount) & Border Type 3 (Lay-in T-Bar)



Side Cross-Sectional View:
 Border Type 1 (Surface Mount) & Border Type 3 (Lay-in T-Bar)

Hinge Location Options:

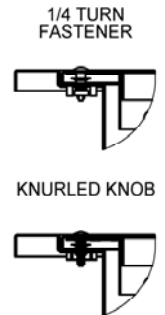
- Hinged Top
- Hinged Left
- Hinged Right
- Hinged Bottom
- No Hinge

Finish Options:

- Standard Finish: #26 White
- Other Finish: _____

Fastening Options:

- Quarter-Turn Fastener (standard)
- Knurled Knob (optional)



Available Sizes: 6" x 6" to 48" x 36" in one-inch increments. Fractional and oversize filter grilles are not available.
 Maximum size for border type 3 is module size minus 4".

All dimensions are in inches.

General Description

- Series 3FF filter grilles feature louvers spaced 3/4" apart.
- Blade deflection angle is 45°.
- All dimensions are ± 1/16".
- 3FF models are available in common filter sizes. 1" thick filters may be purchased from hardware stores for the most common sizes.
- Quarter turn fasteners are standard to make filter access easy.
- Filters by others
- Knurled knob fastener available as option
- Dimensions are the same for border type 1 (surface mount) and border type 3 (lay-in T-bar)