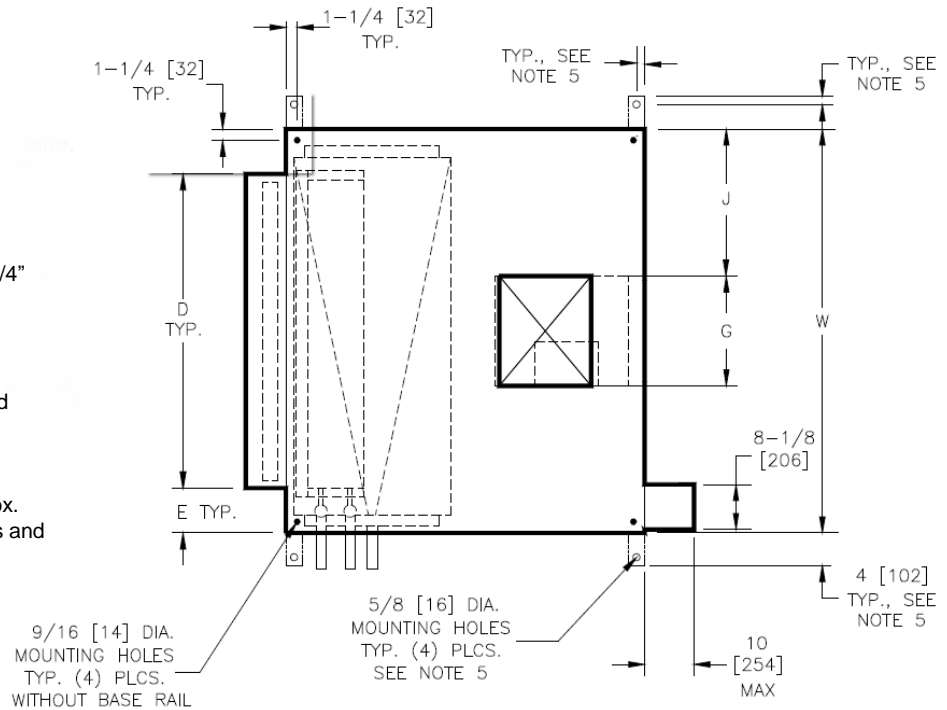
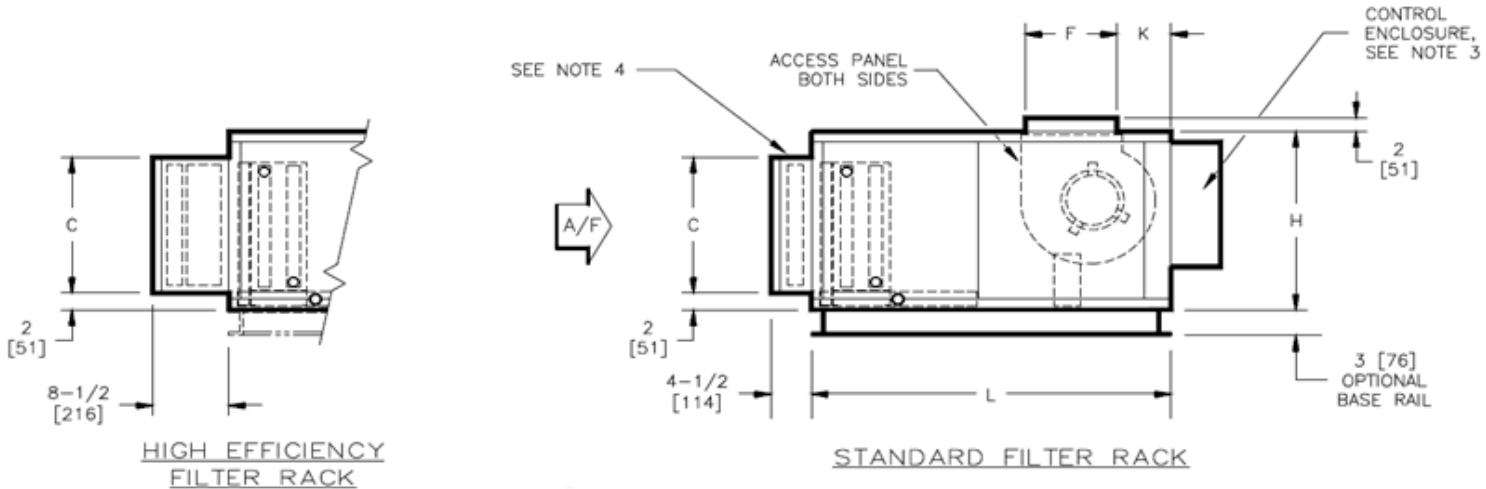


TBHD Arr. 1

Model TBHD Direct Drive Blower Coil Unit Discharge ARGT. 1

NOTES:

1. All dimensions are Inches [millimeters]. All dimensions are $\pm 1/4"$ [6mm]. Metric Values are soft conversion.
2. Right hand unit shown, left hand unit opposite. Motor/drive location may be specified Left or Right Hand. Standard control enclosure location matches motor/drive position.
3. Provide sufficient clearance to permit access. To controls and comply with applicable codes and ordinances.
4. See drawing BC-TBHD-16.0 for filter rack details.
5. Base rail is optional on the base unit. See drawing BC-TBHD-18.0 Base rails must be used with mixing box.
6. See coil connection details drawings for coil connection sizes and locations.


TOP VIEW

SIDE VIEW
DIMENSIONS

| SIZE | FAN SIZE | L | W | H | C | D | E | F | G | J | K |
|------|-----------------------|--------------|--------------|-----------------|-------------|------------------|----------------|-----------------|-----------------|-----------------|-----------------|
| 08 | 9 X 6 [229 X 152] | 40 [1016] | 30 [762] | 21 [533] | 16 [406] | 20 [508] | 5 [127] | 10-3/8 [264] | 8-3/8 [213] | 10-7/8 [276] | 7 [178] |
| 12 | 9 X 6 [229 X 152] | 40 [1016] | 36 [914] | 21 [533] | 16 [406] | 25 [635] | 5-1/2 [140] | 10-3/8 [264] | 8-3/8 [213] | 13-7/8 [352] | 7 [178] |
| 16 | 10 X 8 [254 X 203] | 40 [1016] | 44 [1118] | 21 [533] | 16 [406] | 39-1/2 [1003] | 2-1/4 [57] | 11-1/2 [292] | 10-5/8 [270] | 16-5/8 [422] | 8 [203] |
| 20 | 10 X 8 [254 X 203] | 40 [1016] | 50 [1270] | 22-1/2 [572] | 16 [406] | 44-1/2 [1130] | 2-3/4 [70] | 11-1/2 [292] | 10-5/8 [270] | 19-5/8 [498] | 8 [203] |
| 30 | 10 X 8 [254 X 203] | 46 [1168] | 59 [1499] | 30 [762] | 25 [635] | 51 [1295] | 4 [102] | 11-1/2 [292] | 10-5/8 [270] | 24-1/4 [616] | 10-1/4 [260] |
| 40 | 10 X 8 [254 X 203] | 46 [1168] | 68 [1727] | 30 [762] | 25 [635] | 59 [1499] | 4-1/2 [114] | 11-1/2 [292] | 10-5/8 [270] | 28-5/8 [727] | 10-1/4 [260] |

| | | | |
|---------------|--------------|--------------|-------------|
| New | 08/04/22 | SP | New Release |
| Revision Date | Version Date | Initiated By | Description |