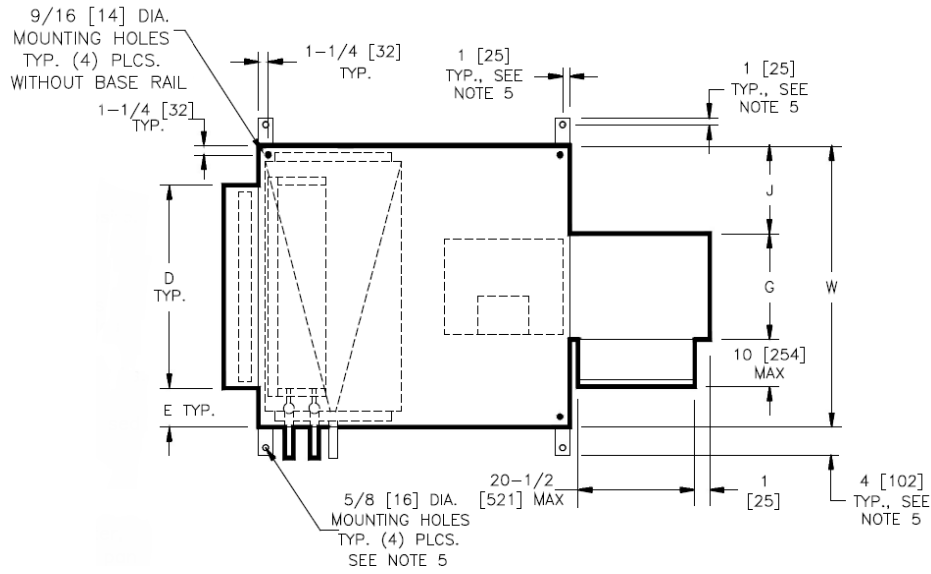


TBHD Arr. 3 w/Electric Heat

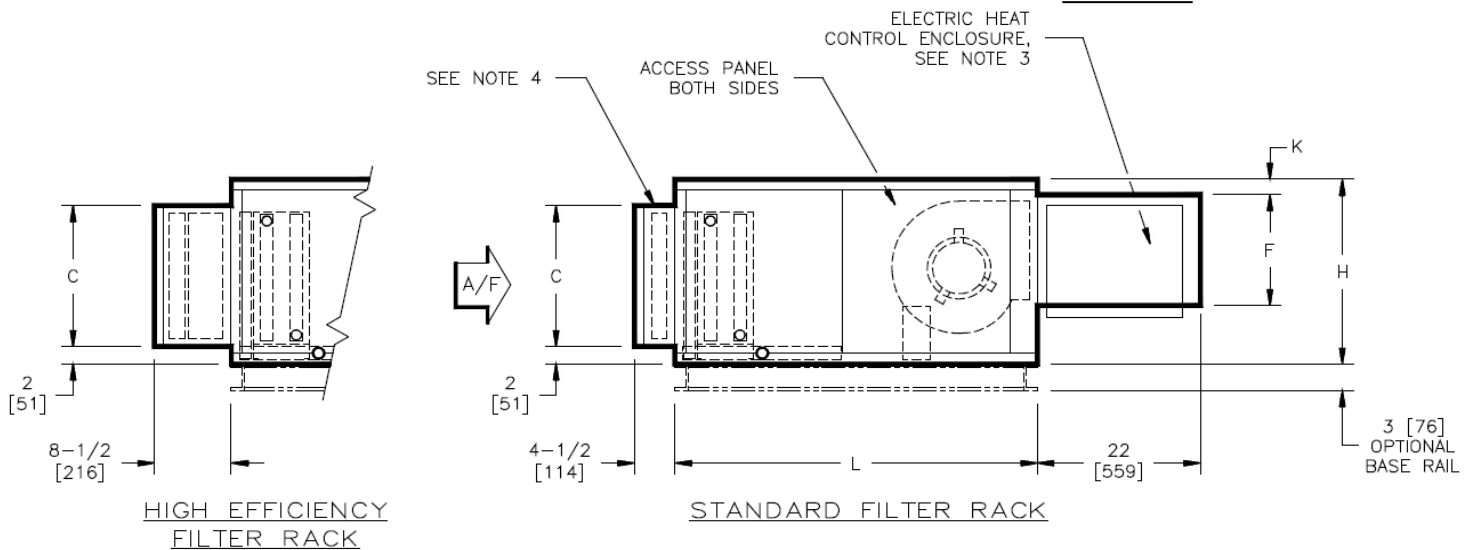
Model TBHD Direct Drive Blower Coil Unit Discharge
ARGT. 3 w/ Blow-thru Electric Heat

NOTES:

- All dimensions are Inches [millimeters]. All dimensions are $\pm 1/4"$ [6mm]. Metric Values are soft conversion.
- Right hand unit shown, left hand unit opposite. Motor/drive location may be specified Left or Right Hand. Standard control enclosure location matches motor/drive position.
- Provide sufficient clearance to permit access to controls and comply with applicable codes and ordinances.
- See drawing BC-TBHD-16.0 for filter rack details.
- Base rail is optional on the base unit. See drawing BC-TBHD-18.0. Base rails must be used with mixing box.
- See coil connection details drawings for coil connection sizes and locations.
- Units with electric heat only (No chilled water, DX, hot water or steam coils) and a drain pan will be supplied with condensate drain outlet the same side as the electric heat control enclosure.



TOP VIEW



SIDE VIEW

DIMENSIONS

SIZE	FAN SIZE	L	W	H	C	D	E	F	G	J	K
08	9 X 6 [229 X 152]	40 [1016]	30 [762]	21 [533]	16 [406]	20 [508]	5 [127]	11-7/8 [302]	8-3/4 [222]	10-5/8 [270]	1-7/8 [48]
12	9 X 6 [229 X 152]	40 [1016]	36 [914]	21 [533]	16 [406]	25 [635]	5-1/2 [140]	11-7/8 [302]	8-3/4 [222]	13-5/8 [346]	1-7/8 [48]
16	10 X 8 [254 X 203]	40 [1016]	44 [1118]	21 [533]	16 [406]	39-1/2 [1003]	2-1/4 [57]	11-7/8 [302]	10-3/4 [273]	16-5/8 [422]	1-7/8 [48]
20	10 X 8 [254 X 203]	40 [1016]	50 [1270]	22-1/2 [572]	16 [406]	44-1/2 [1130]	2-3/4 [70]	11-7/8 [302]	10-3/4 [273]	19-5/8 [498]	3-3/8 [86]
30	10 X 8 [254 X 203]	46 [1168]	59 [1499]	30 [762]	25 [635]	51 [1295]	4 [102]	11-7/8 [302]	10-3/4 [273]	24-1/8 [612]	9-7/8 [251]
40	10 X 8 [254 X 203]	46 [1168]	68 [1727]	30 [762]	25 [635]	59 [1499]	4-1/2 [114]	11-7/8 [302]	10-3/4 [273]	28-5/8 [727]	9-7/8 [251]

New	08/04/22	SP	New Release
Revision Date	Version Date	Initiated By	Description