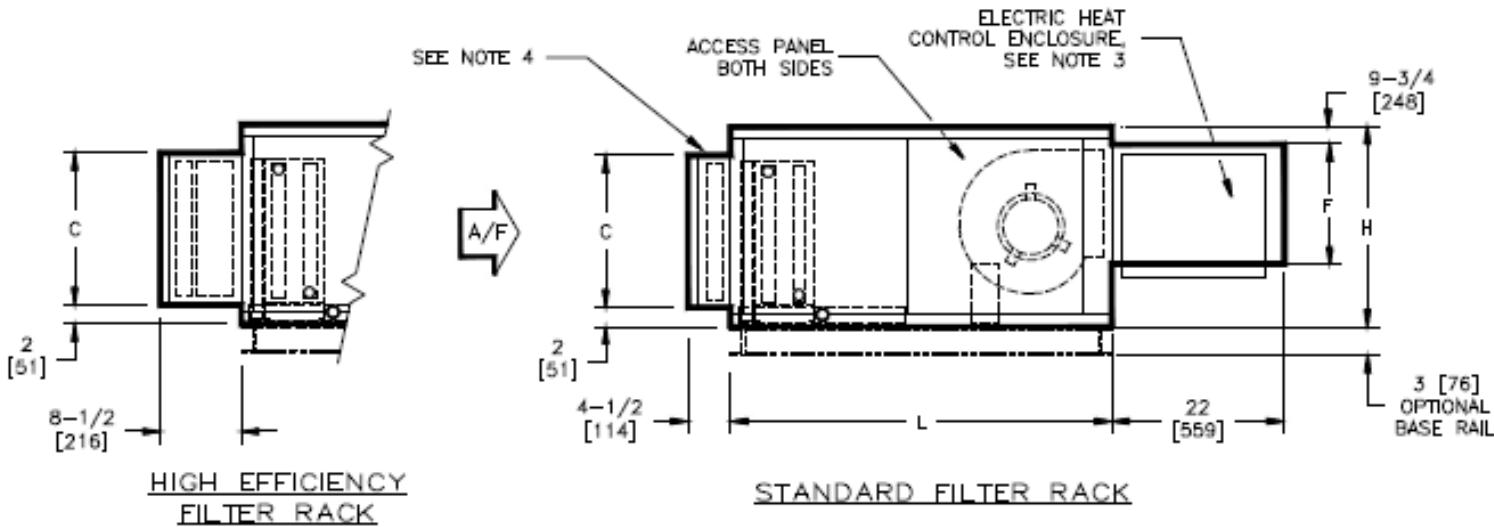
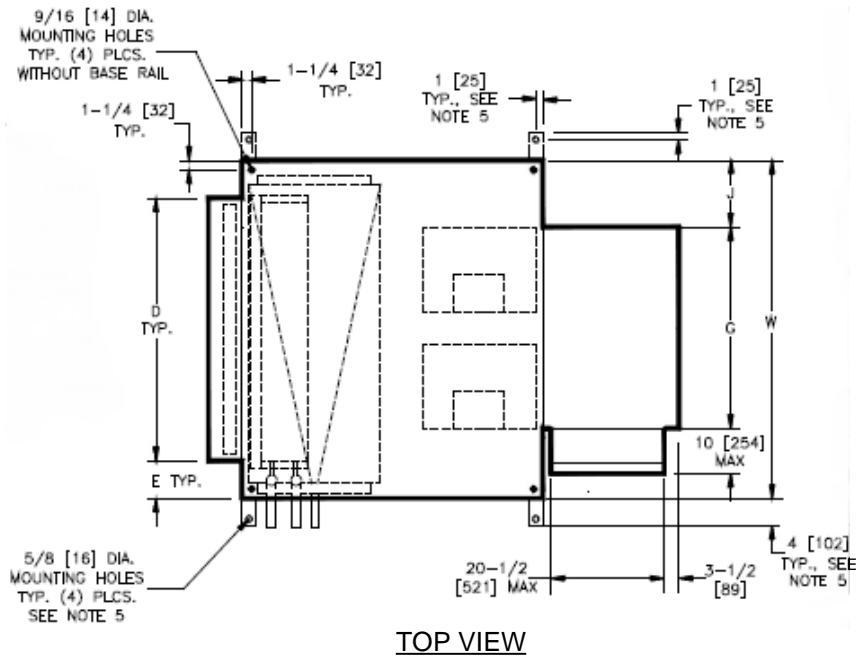


## TBHD Dual Blower Arr. 3 w/Mixing Box & Electric Heat

Model TBHD Direct Drive Dual Blower Coil Unit  
Discharge ARGT. 3 w/ Blow-Thru Eclectic Heat

### NOTES:

- All dimensions are Inches [millimeters]. All dimensions are  $\pm 1/4"$  [6mm]. Metric values are soft conversion.
- Right hand unit shown, left hand unit opposite. Motor/drive location may be specified Left or Right Hand. Standard control enclosure location matches motor/drive position.
- Provide sufficient clearance to permit access to controls and comply with applicable codes and ordinances.
- See drawing BC-TBHD-16.0 for filter rack details.
- Base rail is optional on the base unit. See Drawing BC-TBHD-18.0. Base rails must be used With mixing box.
- See coil connection details drawings for coil connection sizes and locations.



### DIMENSIONS

SIZE	FAN SIZE	L	W	H	C	D	E	F	G	J
30	10 X 8	46	59	30	25	51	4	12	34-1/2	12-3/8
	[254 X 203]	[1168]	[1499]	[762]	[635]	[1295]	[102]	[305]	[870]	[314]
40	10 X 8	46	68	30	25	59	4-1/2	12	34-1/2	16-7/8
	[254 X 203]	[1168]	[1727]	[762]	[635]	[1499]	[114]	[305]	[870]	[429]

New	08/04/22	SP	New Release
Revision Date	Version Date	Initiated By	Description