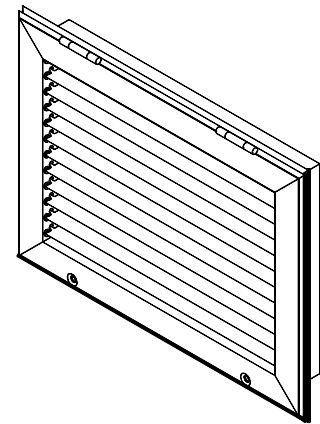
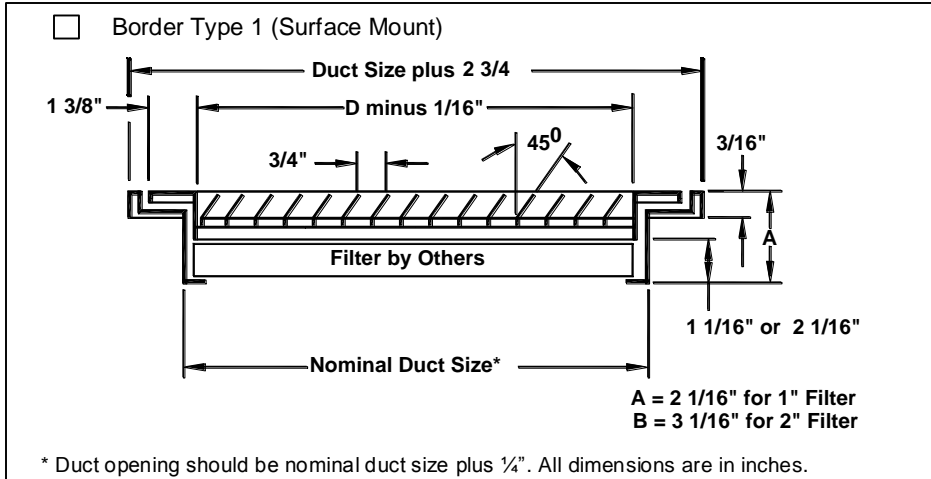


- |  |                        |                |                   |
|--|------------------------|----------------|-------------------|
| <input type="checkbox"/> <b>350RLF1-SS</b> | • 45° Fixed Deflection | • Long Blades  | • 1" Filter Frame |
| <input type="checkbox"/> <b>350RSF1-SS</b> | • 45° Fixed Deflection | • Short Blades | • 1" Filter Frame |
| <input type="checkbox"/> <b>350RLF2-SS</b> | • 45° Fixed Deflection | • Long Blades  | • 2" Filter Frame |
| <input type="checkbox"/> <b>350RSF2-SS</b> | • 45° Fixed Deflection | • Short Blades | • 2" Filter Frame |

Louvered Return Filter Grilles • 304 Stainless Steel • 3/4" Blade Spacing



Option Check  if provided.

- |  |  |
|--|--|
| Hinge location                         | Fastening  |
| <input type="checkbox"/> Hinged Top    | <input type="checkbox"/> Full-turn Fastener (standard) |
| <input type="checkbox"/> Hinged Left   | <input type="checkbox"/> Knurled Knob                  |
| <input type="checkbox"/> Hinged Right  |  |
| <input type="checkbox"/> Hinged Bottom | Standard Finish: #26 White                             |
| <input type="checkbox"/> No Hinge      | <input type="checkbox"/> Other Finish: _____           |

Available Sizes (D" x D")

Border Type 1 is available in sizes 6" x 4" through 48" x 48" in 2" increments in one piece construction.

Odd and fractional sizes are available at additional cost. Sizes larger than 48" x 48" are shipped in multiple sections.

Available Sizes & Common Filter Sizes: (Common filter sizes are shaded) (N/A = Not Available)

Height (inches)	Width (inches)																
	10	12	14	16	18	20	22	24	25	26	28	30	32	34	36	38	40
8	X	X	X	X	X	X	X	X	N/A	X	X	X	X	X	X	X	X
10	X	X	X	X	X	X	X	X	X	X	X	X	X	X	X	X	X
12		X	X	X	X	X	X	X	X	X	X	X	X	X	X	X	X
14			X	X	X	X	X	X	X	X	X	X	X	X	X	X	X
15				N/A	N/A	N/A	N/A	N/A	X	N/A	N/A	X	N/A	N/A	N/A	N/A	N/A
16				X	X	X	X	X	X	X	X	X	X	X	X	X	X
18				X	X	X	X	X	X	X	X	X	X	X	X	X	X
20						X	X	X	X	X	X	X	X	X	X	X	X
24								X	N/A	X	X	X	X	X	X	X	X
25									X	N/A	N/A	N/A	N/A	N/A	N/A	N/A	N/A

Note: Filter by others.

General Description

- Series 350 filter grilles feature 20 gauge louvers spaced 3/4" apart.
- 350 models are available in common filter sizes. 1" thick filters may be purchased from hardware stores for the most common sizes.
- Blade deflection angle is 45°.
- Full-turn fasteners are standard to make filter access easy.
- #8 x 11/4" lg. Phillips flat head sheet metal screws painted white.
- All dimensions are ± 1/16".

This submittal is meant to demonstrate general dimensions of this product. The drawings are not meant to detail every aspect of the product. Drawings are not to scale. Titus reserves the right to make changes without written notice.