

MP-37-SP • ½" Slot

 MP-38-SP • ¾" Slot

 MP-39-SP • 1" Slot

 MP-40-SP • 1½" Slot

MPI-37-SP • ½" Slot • Insulated

MPI-38-SP • ¾" Slot • Insulated

MPI-39-SP • 1" Slot • Insulated

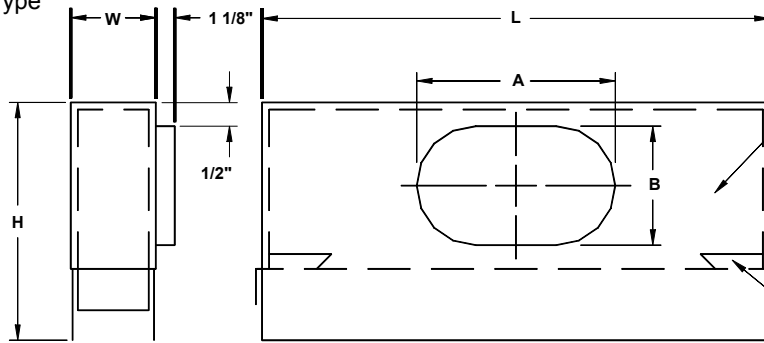
MPI-40-SP • 1½" Slot • Insulated

Modulinear Plenums • Special Performance (SP) Adapters for ML Modulinear Diffusers

Model MP-SP Modulinear Plenum for ML/MLR

Border Type

- 1A
- 1B
- 9A
- 9B
- 12
- 15
- 22



H	LP	HP
(in.)	7 5/8	10 5/8

Standard Inlet Size	Dimensions	
	A	B
6 Oval	6 1/4	5 1/4
8 Oval	9 3/8	5 1/4
10 Oval	12 1/2	5 1/4
12 Oval	14 1/8	7 7/8

Note: End caps not insulated.

Standard Inlets		
Nominal Length (N) in feet	Low Profile (LP) Units Oval (in.)	High Profile (HP) Units Oval (in.)
2, 3	6, 8	6, 8
4, 5, 6	6, 8, 10	6, 8, 10, 12

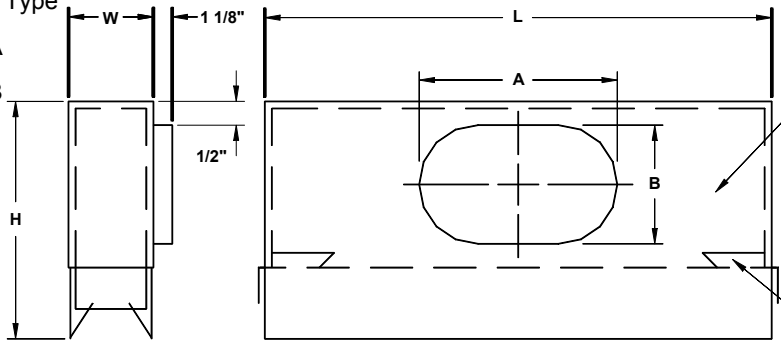
ML/MLR End Fabrication	L
XX	N-7/8
XY	N-7/8
YY	N-1/4
ZZ	N-1/4

ML/ML R Type	Width							
	Number of Slots							
	1	2	3	4	5	6	7	8
MP-37	1 7/16	2 11/16	3 15/16	5 3/16	6 7/16	7 11/16	8 15/16	10 3/16
MP-38	1 11/16	3 3/16	4 11/16	6 3/16	7 11/16	9 3/16	10 11/16	12 3/16
MP-39	1 15/16	3 11/16	5 7/16	7 3/16	8 15/16	10 11/16	12 7/16	14 3/16
MP-40	2 7/16	4 11/16	6 15/16	9 3/16	N/A	N/A	N/A	N/A

Model MP-SP Modulinear Plenum for ML/MLR

Border Type

- 2A
- 2B



H	LP	HP
(in.)	8	11

Standard Inlet Size	Dimensions	
	A	B
6 Oval	6 1/4	5 1/4
8 Oval	9 3/8	5 1/4
10 Oval	12 1/2	5 1/4
12 Oval	14 1/8	7 7/8

Note: End caps not insulated.

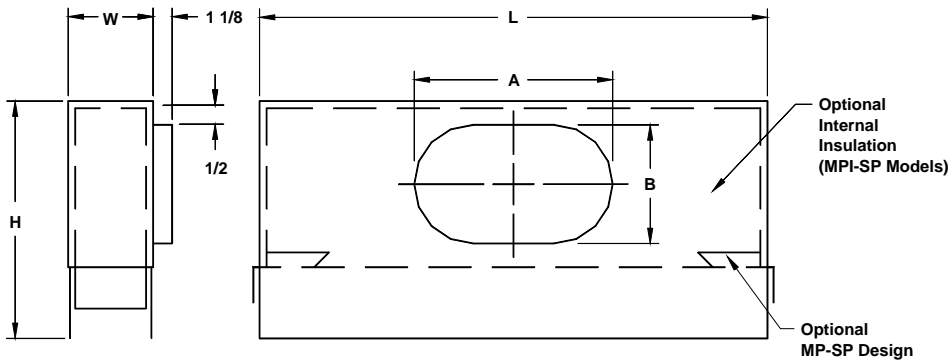
Standard Inlets		
Nominal Length (N) in feet	Low Profile (LP) Units Oval (in.)	High Profile (HP) Units Oval (in.)
2, 3	6, 8	6, 8
4, 5, 6	6, 8, 10	6, 8, 10, 12

ML/MLR End Fabrication	L
XX	N-7/8
XY	N-7/8
YY	N-1/4
ZZ	N-1/4

ML/MLR Type	Width							
	Number of Slots							
	1	2	3	4	5	6	7	8
MP-37	2 3/16	3 7/16	4 11/16	5 15/16	7 3/16	8 7/16	9 11/16	10 15/16
MP-38	2 7/16	3 15/16	5 7/16	6 15/16	8 7/16	9 15/16	11 7/16	12 15/16
MP-39	2 11/16	4 7/16	6 3/16	7 15/16	9 11/16	11 7/16	13 3/16	14 15/16
MP-40	3 3/16	5 7/16	7 11/16	9 15/16	N/A	N/A	N/A	N/A

Model MP-SP Modulinear Plenum for ML/MLR
Border Type

- 3
- 4
- 6
- 7A
- 7B
- 11



Standard Inlet Size	Dimensions	
	A	B
6 Oval	6 1/4	5 1/4
8 Oval	9 3/8	5 1/4
10 Oval	12 1/2	5 1/4
12 Oval	14 1/8	7 7/8

H	LP	HP
(in.)	7 5/8	10 5/8

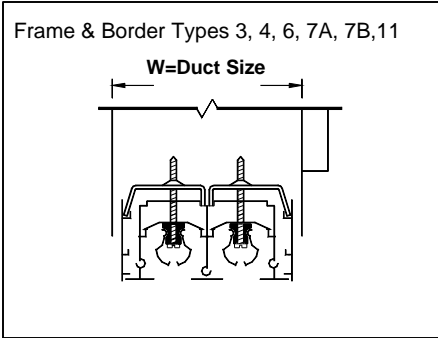
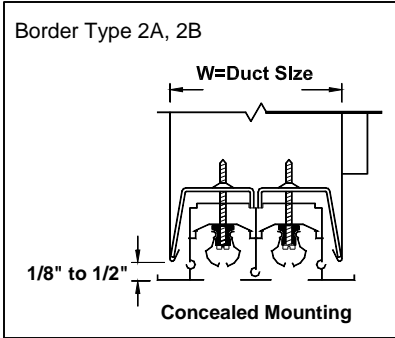
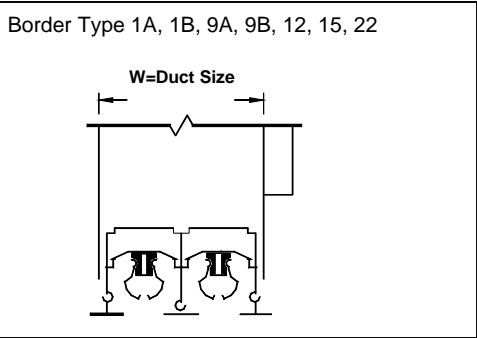
ML/MLR End Fabrication	L
XX	N-1/4
XY	N-1/4
YY	N-1/4
ZZ	N-1/4

Standard Inlets	Nominal Length (N) in feet	
	Low Profile (LP) Units Oval (in.)	High Profile (HP) Units Oval (in.)
2, 3	6, 8	6, 8
4, 5, 6	6, 8, 10	6, 8, 10, 12

Note: End caps not insulated.

ML/MLR Type	Width							
	Number of Slots							
	1	2	3	4	5	6	7	8
MP-37	2 3/16	3 7/16	4 11/16	5 15/16	7 3/16	8 7/16	9 11/16	10 15/16
MP-38	2 7/16	3 15/16	5 7/16	6 15/16	8 7/16	9 15/16	11 7/16	12 15/16
MP-39	2 11/16	4 7/16	6 3/16	7 15/16	9 11/16	11 7/16	13 3/16	14 15/16
MP-40	3 3/16	5 7/16	7 11/16	9 15/16	N/A	N/A	N/A	N/A

Installation Details



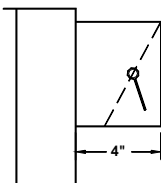
Accessories (optional)

Check if provided.

Internal Insulation

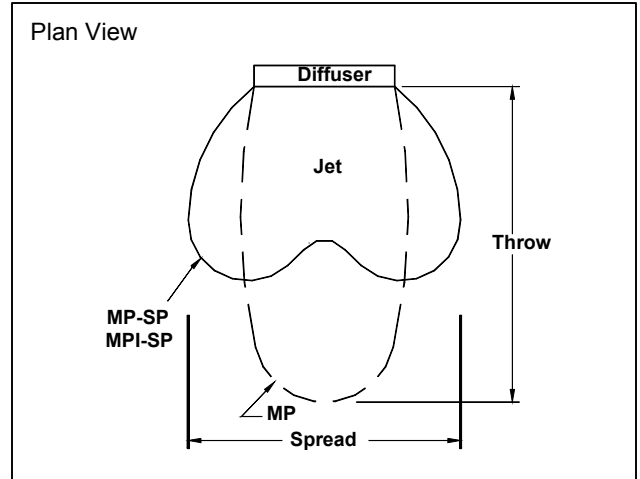
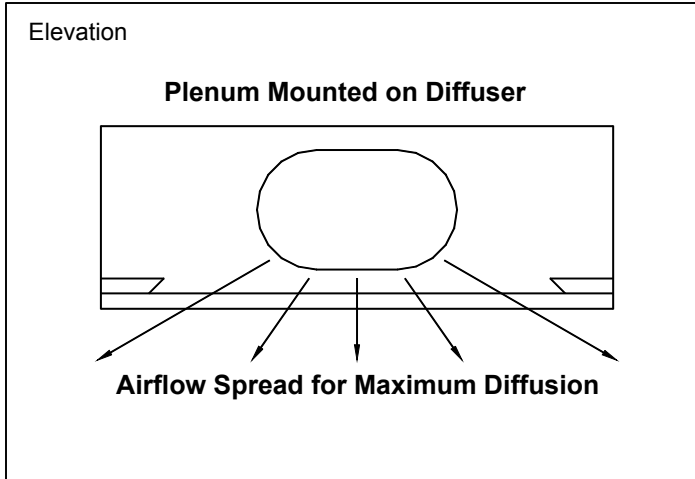
- MPI-37 • For ML/MLR-37 • 1/2" Slot
- MPI-38 • For ML/MLR-38 • 3/4" Slot
- MPI-39 • For ML/MLR-39 • 1" Slot
- MPI-40 • For ML/MLR-40 • 1 1/2" Slot

- Model ID Inlet Damper



Note: Inlet damper is shipped loose.

Air Patterns



The model MP-SP plenum is designed to maximize air diffusion by spreading out the supply air as it leaves the Model ML diffuser. This is accomplished by internal baffling.

At a given cfm, the Model MP-SP plenum shortens the throw and widens the spread of the air leaving the diffuser (as compared with a minimal velocity type plenum).

General Description

- The Model MP-SP is the special performance plenum for the ML modulinear diffuser.
- The Model MP-SP increases the induction of room air resulting in improved comfort.
- Excellent for variable air volume applications. The air stays on the ceiling in a tight, horizontal pattern, even at low volumes.
- When the air is directed toward an outside wall, the Model MP-SP allows effective handling of the transmission load by thoroughly blanketing the surface.
- End cap can be turned up to allow the MP-SP to be installed on continuous runs of ML diffusers.
- Standard nominal lengths are 2', 3', 4', 5' and 6'.
- Available with optional internal insulation (Model MPI-SP).
- Available to fit Model ML and MLR Modulinear diffusers with 1-8 slots.
- Material is steel.



Note: This submittal is meant to demonstrate general dimensions of this product. The drawings on this submittal are not meant to detail every aspect of the product with exactness. Drawings are not to scale. TITUS reserves the right to make changes without written notice.

605 Shiloh Road • Plano, Texas 75074 • 972-212-4800