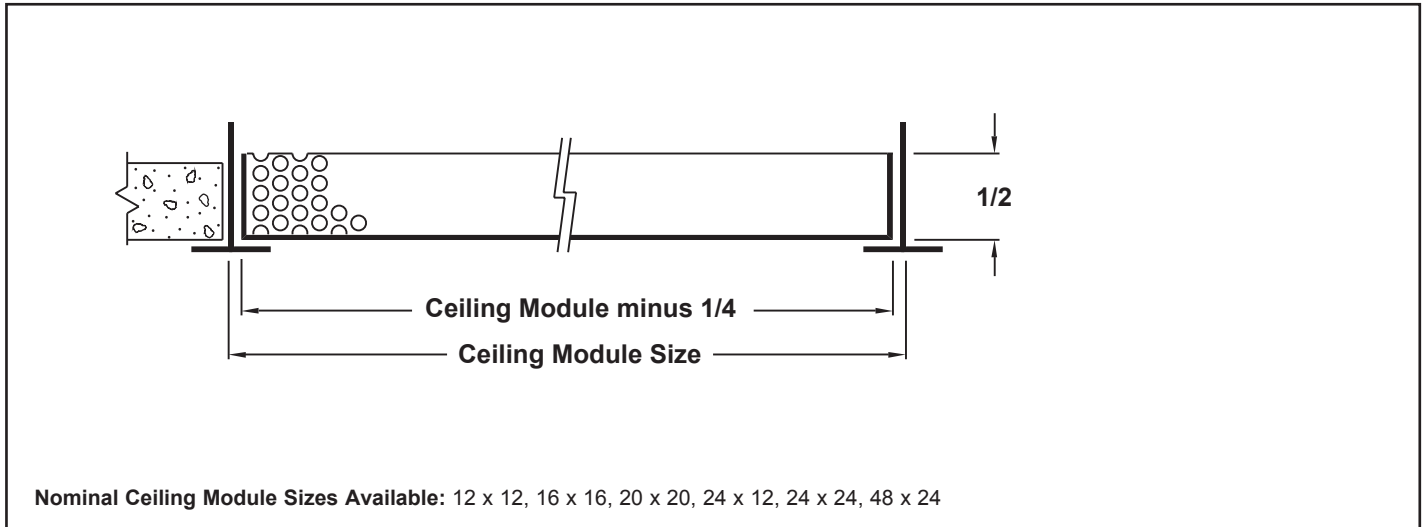


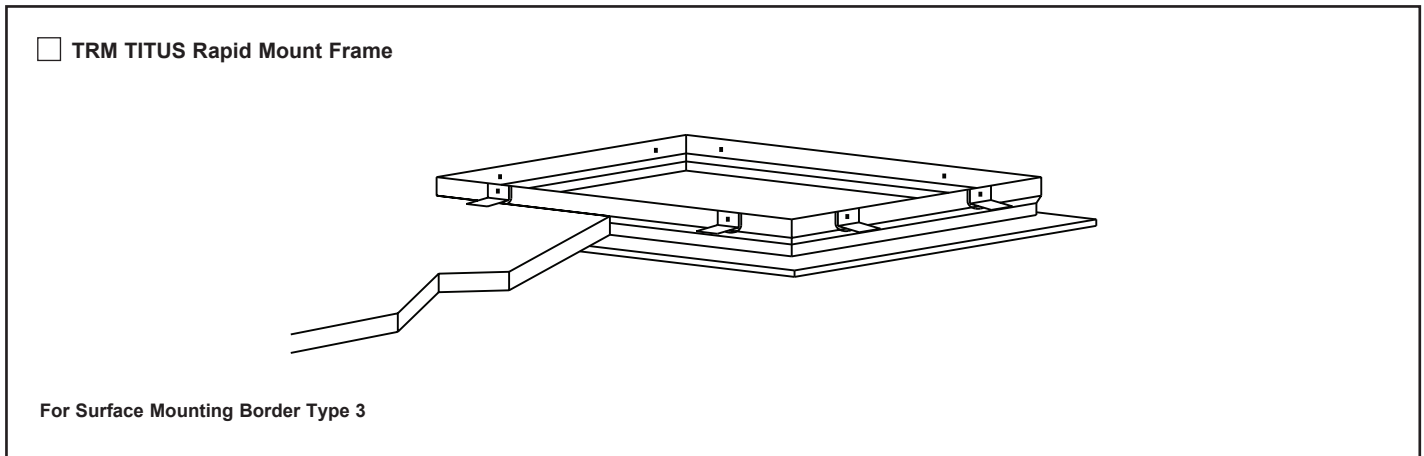
## Perforated Ceiling Diffusers Aluminum • Flush Face

Model: PXP-AA • Return Panel



### Accessories (Optional)

Check  if provided



Standard Finish: #26 White

### General Description

- Model PXP-AA perforated panels are designed for return or exhaust applications.
- Panels match Model PAS-AA supply diffusers in appearance after installation.

- Installed by laying between T-bars.
- Perforated face has  $\frac{3}{16}$ " diameter holes on  $\frac{1}{4}$ " staggered centers.

- Material is Aluminum.