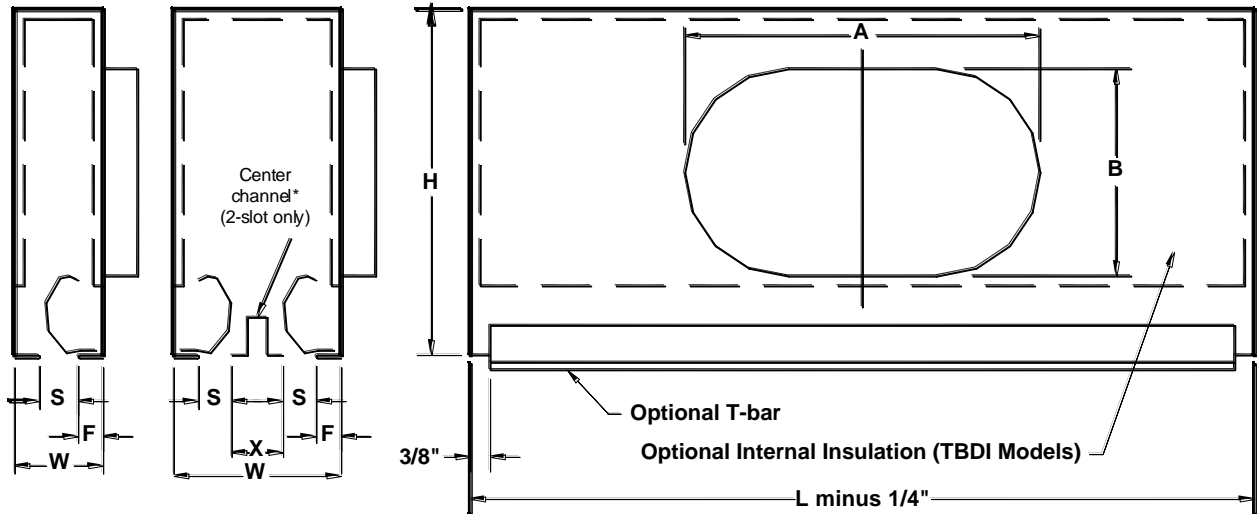


## Plenum Slot Diffusers Fixed Pattern Controller • High Capacity

- Models:
- TBD-10 • 1 or 2 slots
  - TBDI-10 • 1 or 2 slots • Insulated
  - TBD-10-FB • 1 or 2 Slots • Factory Installed Pattern Controllers
  - TBDI-10-FB • 1 or 2 Slots • Factory Installed Pattern Controllers • Insulated



No. of Slots	S	F	W	X
1	1	1/2	2	-
	1 1/2	1/2	2 1/2	-
2	1	1/2	4	1
	1 1/2	1/2	5 1/4	1 1/4

Plenum Profile	H
Low Profile (LP)	8
High Profile (HP)	11

Nominal Length	L
24	23 3/4
36	35 3/4
48	47 3/4
60	59 3/4

Nominal Inlet	A	B
6" Oval	6 1/4	5 1/4
8" Oval	9 3/8	5 1/4
10" Oval	12 1/2	5 1/4
12" oval	15 9/16	5 1/4
No Inlet	-	-

\*2-slots units furnished without center tee are furnished with center channel.  
Optional T-bars are furnished by others or furnished by TITUS. (See T-Bar Option)

Dimensions are in inches

Pattern Controller Mounting Option      Check  if provided

TBD-10 Pattern Controllers shipped loose for field installation.

TBD-10-FB Factory Installed Pattern Controllers (at an additional charge)  
Factory installed blades are shipped in the direction as shown above.

Insulation Option      Check  if provided

TBDI - Internal Fiberglass Insulation

Note: Plenum end caps are not insulated.

Optional  
Factory-Furnished T-Bars

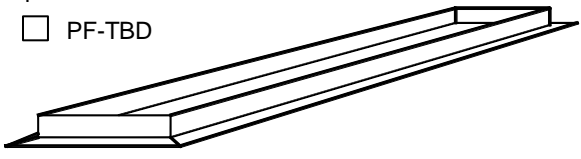


- No T-Bars       One T-Bar, Inlet Side       One T-Bar, Side Opposite Inlet       Two T-Bars, Outside Edge
- Three T-Bars       One T-Bar, Center       Two T-Bars, Center & Inlet Side       Two T-Bars, Center & Side Opposite Inlet

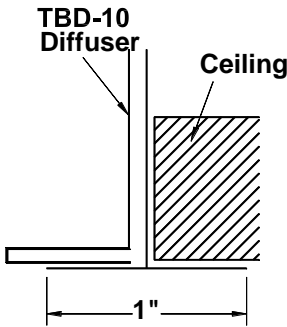
Note: Factory supplied outside T-bars are 1" wide. Factory supplied center T-bars are 1" on 1" slot and 1 1/4" on 1 1/2" slot.

Accessories (Optional) Check  if provided.

Optional Slot Diffuser Plaster Frame  
 PF-TBD

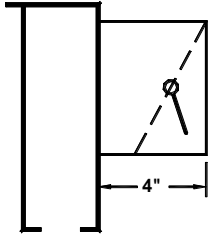


Opening in ceiling should be:  
 Length = Module plus 1/2-inch  
 Width = Plenum width plus 3/4-inch

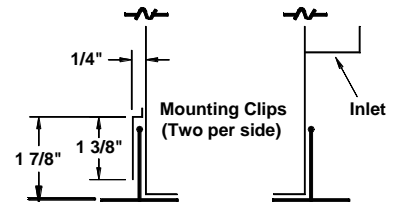


The PF-TBD slot diffuser mounting frame can be used in sheetrock or plaster ceiling. The frame is mounted in the ceiling by others. The TBD-10 is mounted on the inside lip of the frame. Plaster frame is 1 1/2" high.

Optional Inlet Damper  
 ID (Shipped loose)



Optional Mounting Clips  
 MTC-1 (One side)  
 MTC-2 (Both sides)



Standard Finish: # 02 Black on pattern controllers and exposed surfaces, white optional T-Bars.

General Description

- Model TBD-10 is a low height diffuser, ideal for today's smaller ceiling spaces.
- High capacity. Handles a large volume of air for a given pressure drop and sound level.
- The TBD-10 is an excellent choice for variable volume systems. The design includes an aerodynamically curved blade that ensures a horizontal pattern from minimum to maximum throw.
- Designed for both heating and cooling applications.
- Air pattern control blade is offered with the option of being factory installed or shipped loose for field installation. In either case the air pattern control blade can be adjusted from the face of the diffuser to obtain the required air throw direction.
- Outside edge of TBD-10 has doubled metal thickness to ensure rigidity and straightness.
- For use with standard lay-in ceiling systems.
- Available in standard 24", 36", 48" or 60" length.
- 24" length has 1 blade per slot. Lengths 36", 48" and 60" have 2 blades per slot.
- Material is steel.

This submittal is meant to demonstrate general dimensions of this product. The drawings are not meant to detail every aspect of the product. Drawings are not to scale. Titus

reserves the right to make changes without written notice.

All rights reserved. No part of this work may be reproduced or transmitted in any form or by any means, electronic or mechanical, including photocopying and recording, or by any information storage retrieval system without permission in writing from Air Distribution Technologies.