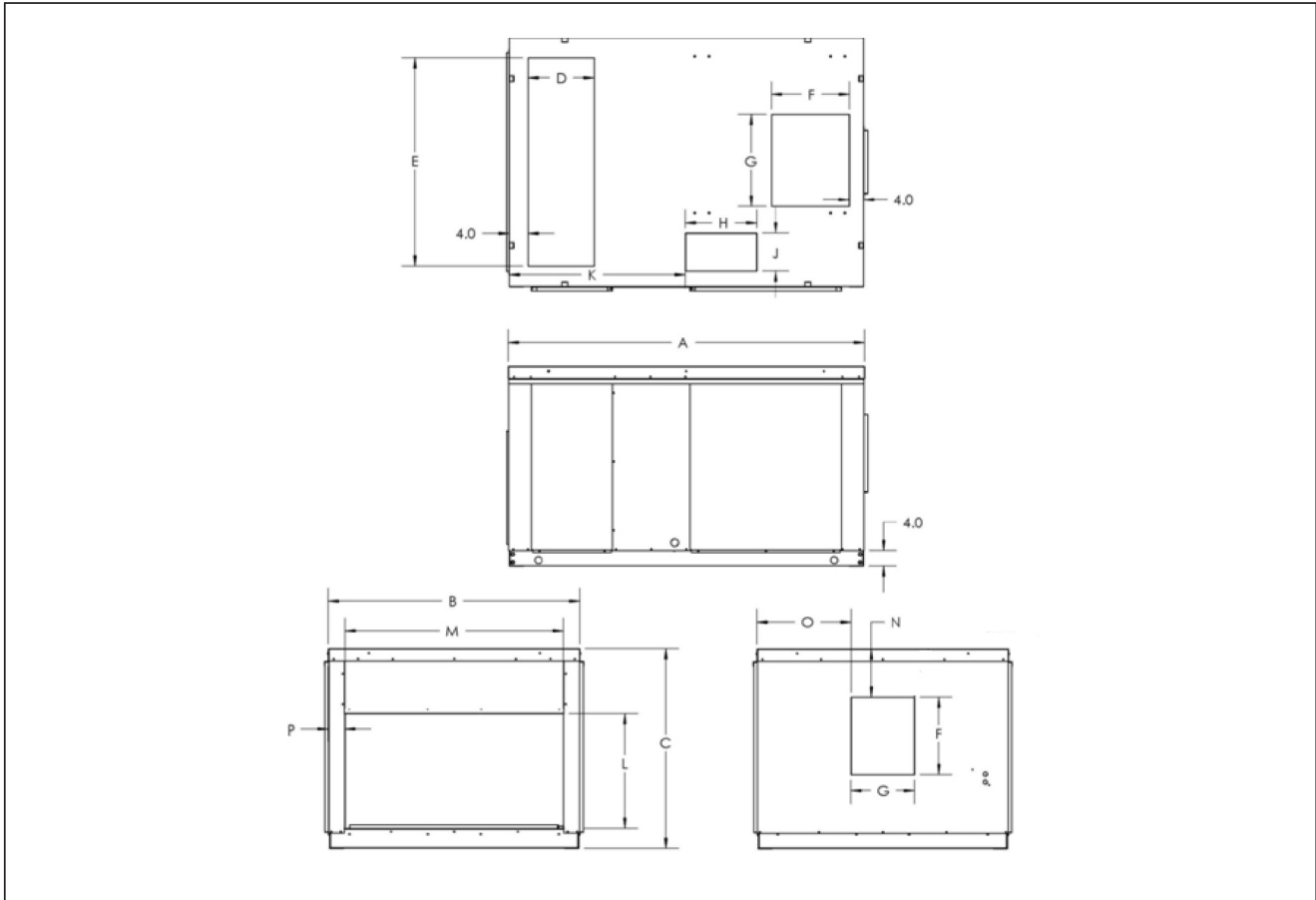


DIMENSIONS

RAB ROOFTOP BELT DRIVE DIMENSIONS

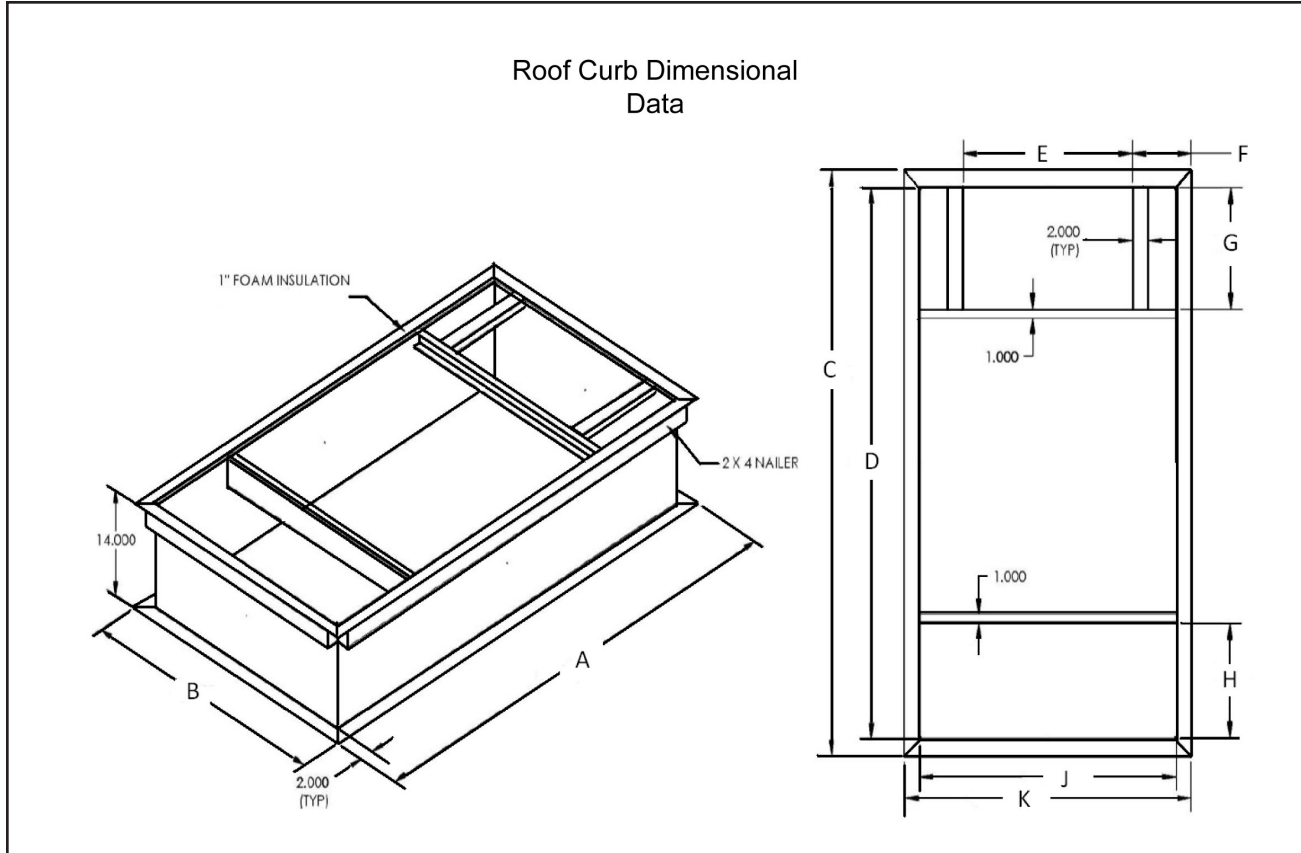


Dimensions - Sizes 08 thru 80															
Unit	A	B	C	D	E	F	G	H	J	K	L	M	N	O	P
08	68.0	40.0	23.0	12.0	26.0	12.0	9.0	11.0	8.0	36.0	14.0	29.0	3.0	15.0	6.0
12	68.0	40.0	23.0	12.0	26.0	12.0	9.0	11.0	8.0	36.0	14.0	29.0	3.0	15.0	6.0
16	73.0	49.0	29.0	12.0	34.0	14.0	13.0	11.0	8.0	37.0	18.0	36.0	5.0	18.0	6.0
20	73.0	49.0	29.0	12.0	34.0	14.0	13.0	11.0	8.0	37.0	18.0	36.0	5.0	18.0	6.0
30	76.0	54.0	43.0	14.0	44.0	17.0	12.0	15.0	8.0	38.0	25.0	46.0	10.0	21.0	4.0
40	76.0	54.0	43.0	14.0	44.0	17.0	12.0	15.0	8.0	38.0	25.0	46.0	10.0	21.0	4.0
60	76.0	54.0	56.0	14.0	44.0	17.0	20.0	15.0	8.0	38.0	33.0	46.0	24.0	17.0	6.0
80	97.0	77.0	54.0	15.0	63.0	20.0	22.0	15.0	8.0	51.0	47.0	69.0	18.0	27.0	4.0

DIMENSIONS

RAB ROOF CURB DIMENSIONS

Redefine your comfort zone™ | www.titus-hvac.com



Roof Curb Dimensions - Sizes 08 thru 80										
Unit	A	B	C	D	E	F	G	H	J	K
08	64.1	36.3	63.9	60.1	21.3	7.4	13.2	12.6	32.3	36.0
12	64.1	36.3	63.9	60.1	21.3	7.4	13.2	12.6	32.3	36.0
16	64.1	36.3	63.9	60.1	21.3	7.4	13.2	12.6	32.3	36.0
20	64.1	36.3	63.9	60.1	21.3	7.4	13.2	12.6	32.3	36.0
30	68.5	44.8	68.2	64.5	21.3	11.6	17.3	12.6	40.8	44.5
40	68.5	44.8	68.2	64.5	21.3	11.6	17.3	12.6	40.8	44.5
60	71.8	49.8	71.5	67.8	34.8	7.4	17.8	15.5	45.8	49.5
80	87.8	67.5	87.5	83.8	22.5	22.4	20.0	16.8	63.5	67.3

DIMENSIONS

RAB ROOFTOP BELT DRIVE DIMENSIONS

Water Coil Data									
Model	Fin Block H x W	Face Area	Rows	Water Conn. Header OD	Model	Fin Block H x W	Face Area	Rows	Water Conn. Header OD
RAB 08	10 X 31	2.15	1	5/8	RAB 30	22.5 X 47	7.34	2	7/8
			2					1 1/8	
			4	7/8				4	1 3/8
			6					1 3/8	
RAB 12	13 X 31	2.8	1	5/8	RAB 40	28.5 X 47	9.3	2	7/8
			2					1 1/8	
			4	7/8				4	1 3/8
			6					1 3/8	
RAB 16	15 X 40	4.17	1	5/8	RAB 60	31.5 X 60	13.13	2	1 1/8
			2					1 3/8	
			4	7/8				6	1 3/8
			6					1 3/8	
RAB 20	17.5 X 40	4.86	1	5/8	CONTACT THE FACTORY FOR ADDITIONAL COIL INFORMATION			2	1 3/8
			2					1 5/8	
			4	7/8				4	1 5/8
			6					2 1/8	

Note: Standard filter rack only accepts 2" TA or Pleated filters. Double wall filter rack accepts 2" or 4" TA or pleated filters.

Filter	Unit Model					Filter Quantity							
	14"	X	20"	X	2/4"	8	12	16	20	30	40	60	80
Filter	14"	X	20"	X	2/4"							5	5
	14"	X	25"	X	2/4"							5	5
	16"	X	16"	X	2/4"					6	6		
	16"	X	20"	X	2/4"	2	2						
	20"	X	20"	X	2/4"			2	2				
	Filter Total					2	2	2	2	6	6	10	10