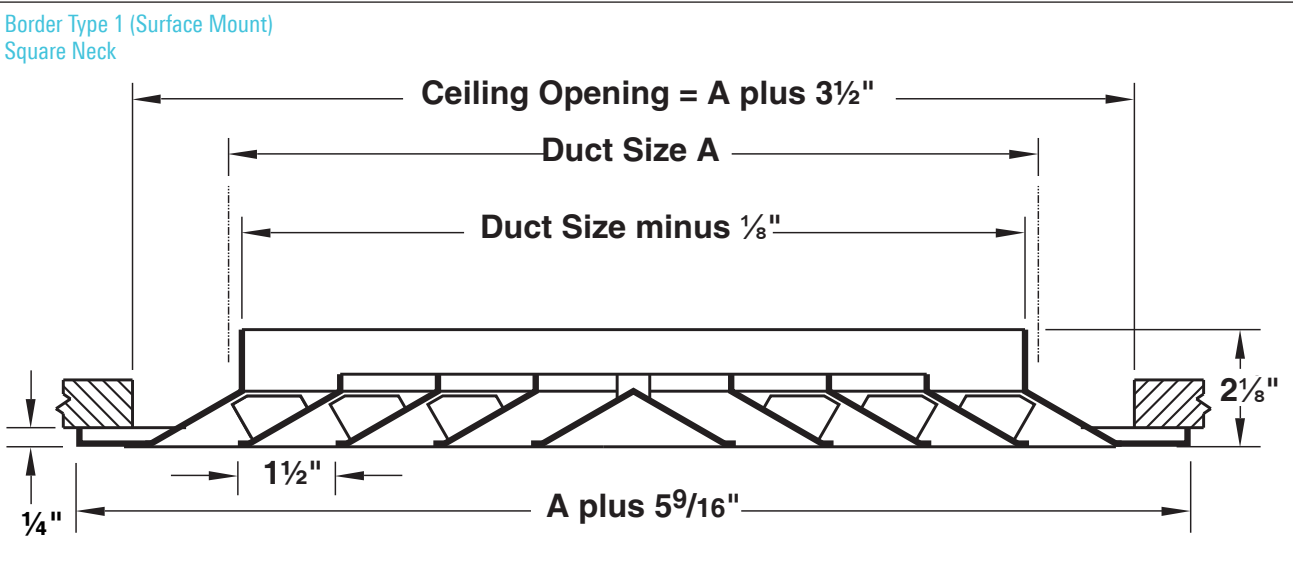
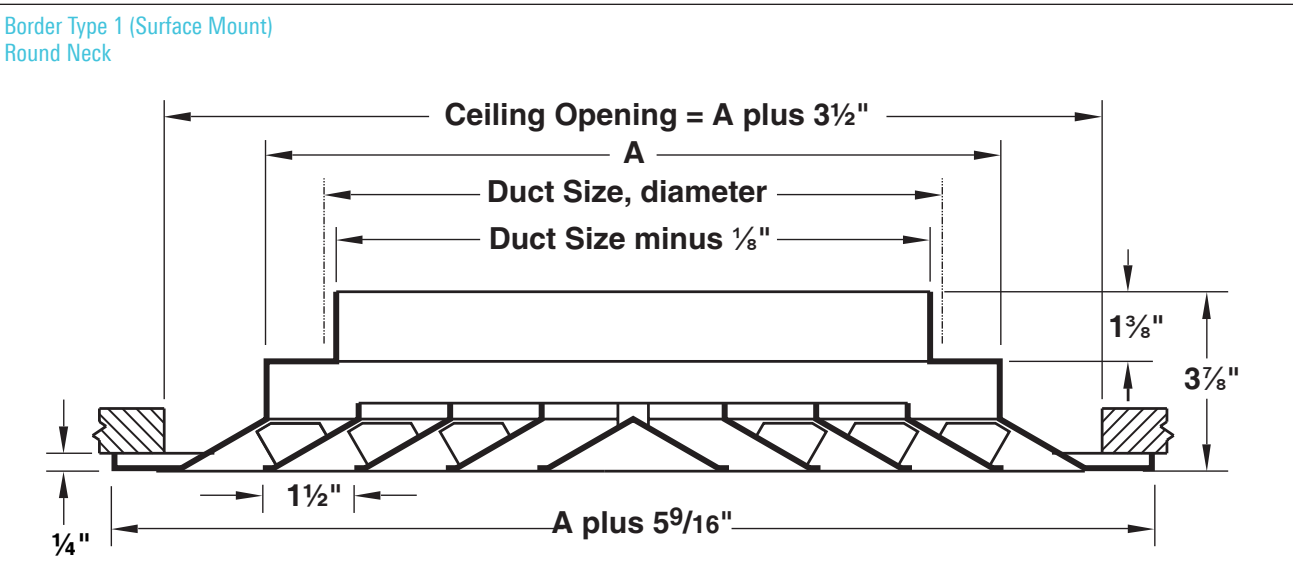


TDX / TDX-AA UNIT DIMENSIONS

Border Type 1 (Surface Mount)
Square Neck

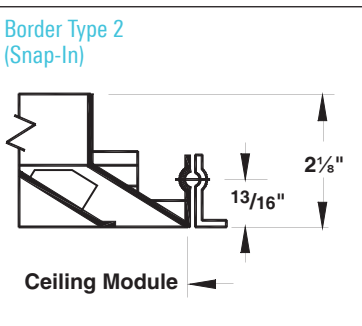


Border Type 1 (Surface Mount)
Round Neck

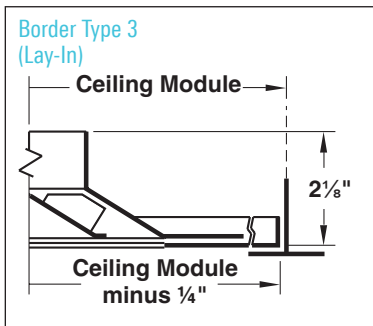


BORDER TYPES

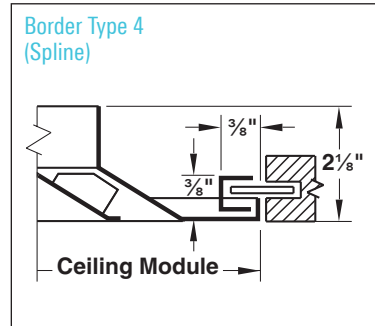
Border Type 2
(Snap-In)



Border Type 3
(Lay-In)



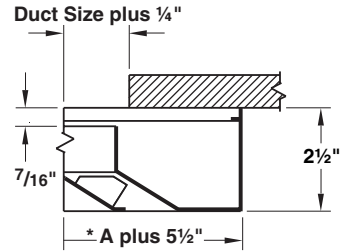
Border Type 4
(Spline)



DIMENSIONS

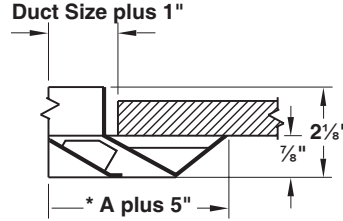
Redefine your comfort zone.™ | www.titus-hvac.com

**Border Type 5
(Dropped Face)**

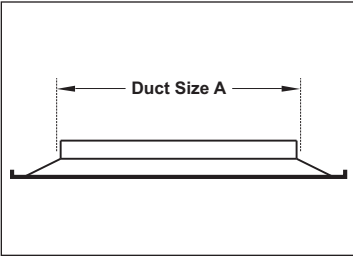


Note: Standard diffuser is 2 1/2 inches deep

**Border Type 6
(Bevel Drop Face)**



AVAILABLE DUCT SIZES - SQUARE AND RECTANGULAR NECKS

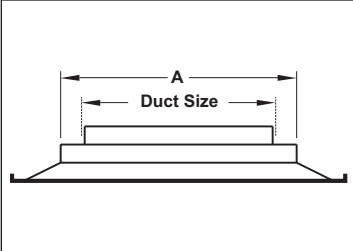


Border Types 1, 5, 6	
Minimum Duct Size A	Maximum Duct Size A
9 x 9	18 x 18

Border Types 2, 3, 4		
Available Module Size	Minimum Duct Size A	Maximum Duct Size A
24 x 24	6 x 6	18 x 18
48 x 24	12 x 12	

Note 1: Duct sizes are available in 3" increments only

AVAILABLE DUCT SIZES - ROUND NECKS



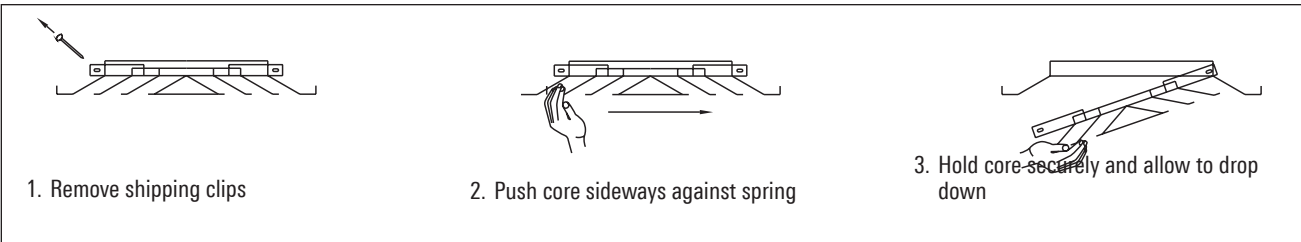
Border Types 1, 5, 6	
Dimension A	Available Round Duct Size
9 x 9	6, 8
12 x 12	8, 10, 12
15 x 15	10, 12, 14
18 x 18	12, 14, 16

Border Types 2, 3, 4		
Available Module Size	Dimension A	Available Round Duct Size
24 x 24	9 x 9	6, 8
	12 x 12	8, 10, 12
	15 x 15	10, 12, 14
	18 x 18	12, 14, 16

Note: Round duct sizes are available only in sizes shown

Note 1: Round duct sizes are available only in sizes shown

REMOVING CENTER CORE



OPTIONAL PATTERNS

S1	S2	G2	A3	A4
1 Way	2 Way	2 Way Corner	3 Way	4 Way

F

DIMENSIONS