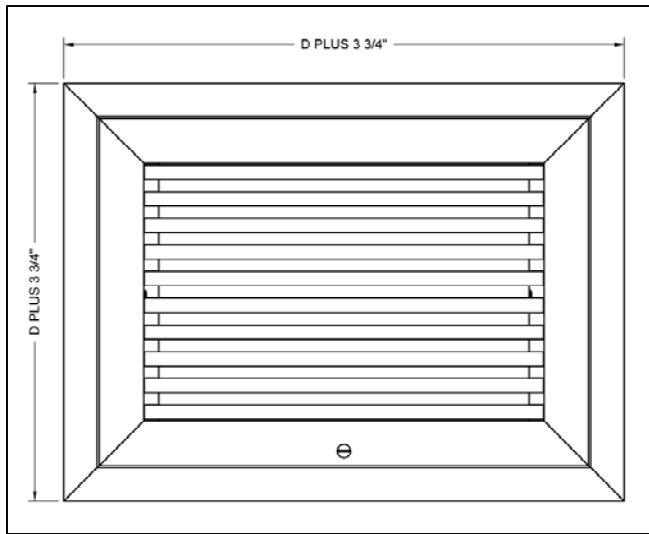
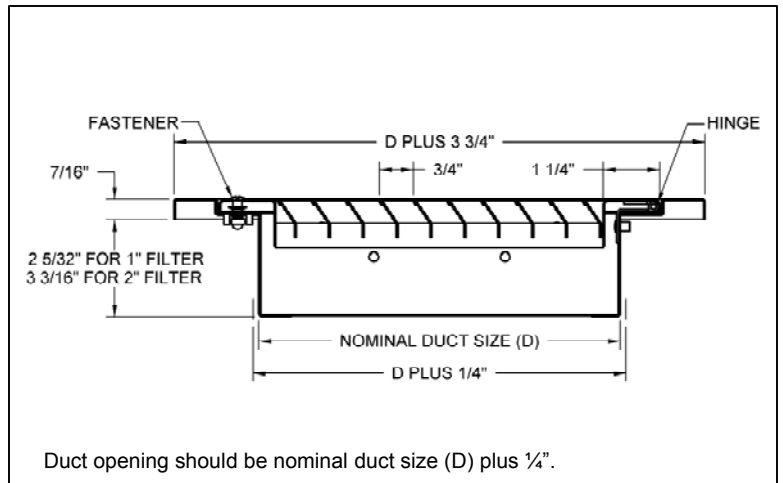


Louvered Return Filter Grilles • Aluminum • 3/4" Blade Spacing

- Models:** 350FLF1 • 35° Fixed Deflection • Long Blades • 1" Filter Frame
 350FSF1 • 35° Fixed Deflection • Short Blades • 1" Filter Frame
 350FLF2 • 35° Fixed Deflection • Long Blades • 2" Filter Frame
 350FSF2 • 35° Fixed Deflection • Short Blades • 2" Filter Frame



Face View:
 Border Type 1 (Surface Mount) & Border Type 3 (Lay-in T-Bar)



Side Cross-Sectional View:
 Border Type 1 (Surface Mount) & Border Type 3 (Lay-in T-Bar)

Hinge Location Options:

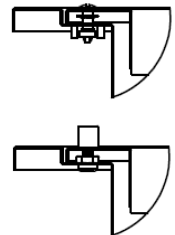
- Hinged Top
- Hinged Left
- Hinged Right
- Hinged Bottom
- No Hinge

Finish Options:

- Standard Finish: #26 White
- Other Finish: _____

Fastening Options:

- Quarter-Turn Fastener (standard)
- Knurled Knob (optional)



Available Sizes: 10" x 8" to 48" x 36" in one-inch increments. Fractional and oversize filter grilles are not available.
 Maximum size for border type 3 is module size minus 4".

All dimensions are in inches.

General Description

- Series 350 filter grilles feature louvers spaced 3/4" apart.
- 350 models are available in common filter sizes. 1" thick filters may be purchased from hardware stores for the most common sizes.
- Blade deflection angle is 35°.
- Quarter turn fasteners are standard to make filter access easy.
- Knurled knob fastener available as option
- All dimensions are ± 1/16".
- Filters by others
- Dimensions are the same for border type 1 (surface mount) and border type 3 (lay-in T-bar)