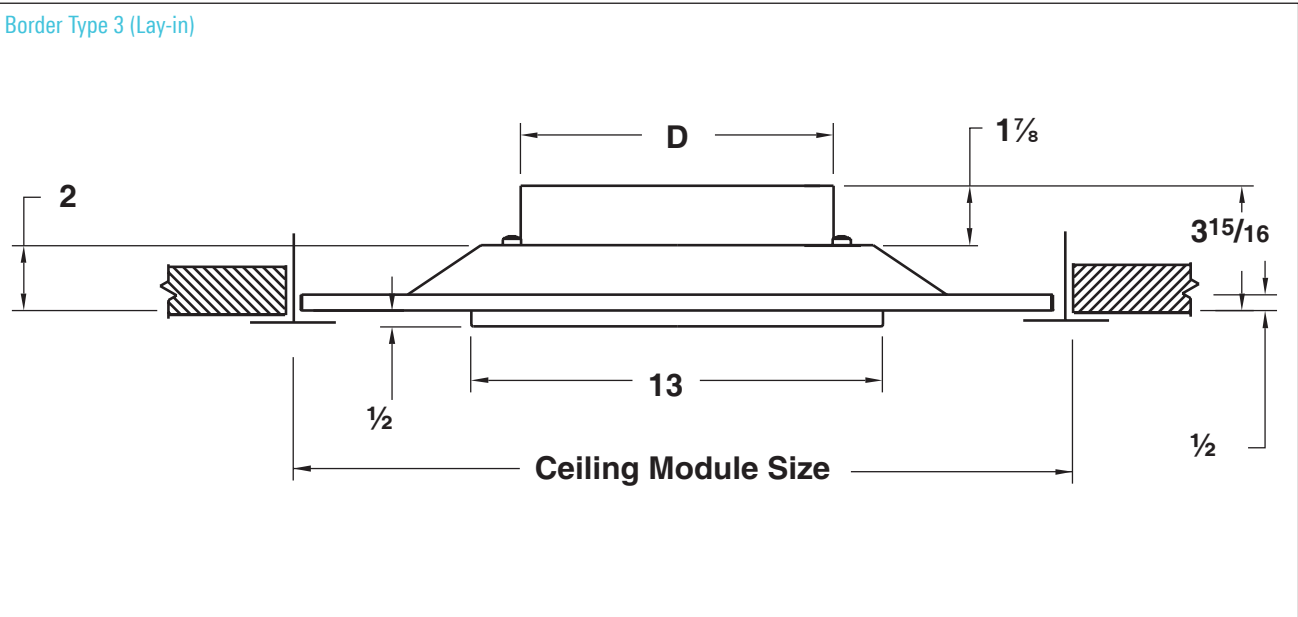


DIMENSIONS

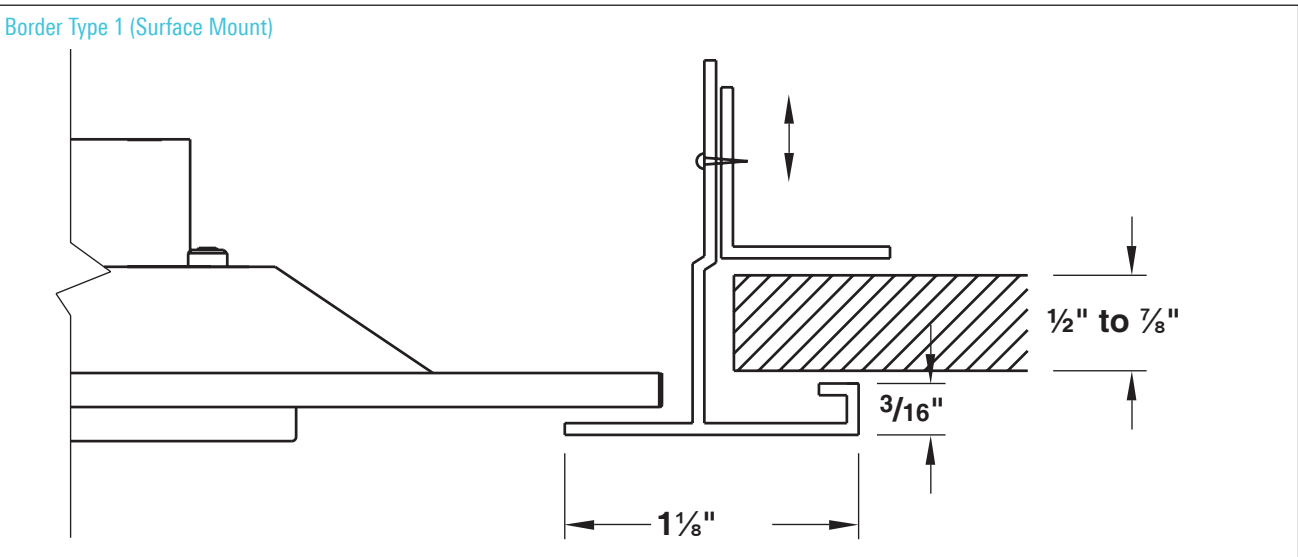
Redefine your comfort zone.™ | www.titus-hvac.com

OMNI-RS UNIT DIMENSIONS

Border Type 3 (Lay-in)



Border Type 1 (Surface Mount)



Note: Diffuser will be shipped with Border 3. A TRM frame will be provided for surface mounting.

Module Size	Nominal Duct Size	D
24 x 24	6	5/8
	8	7/8
	10	9/8
	12	11/2

DIMENSIONS