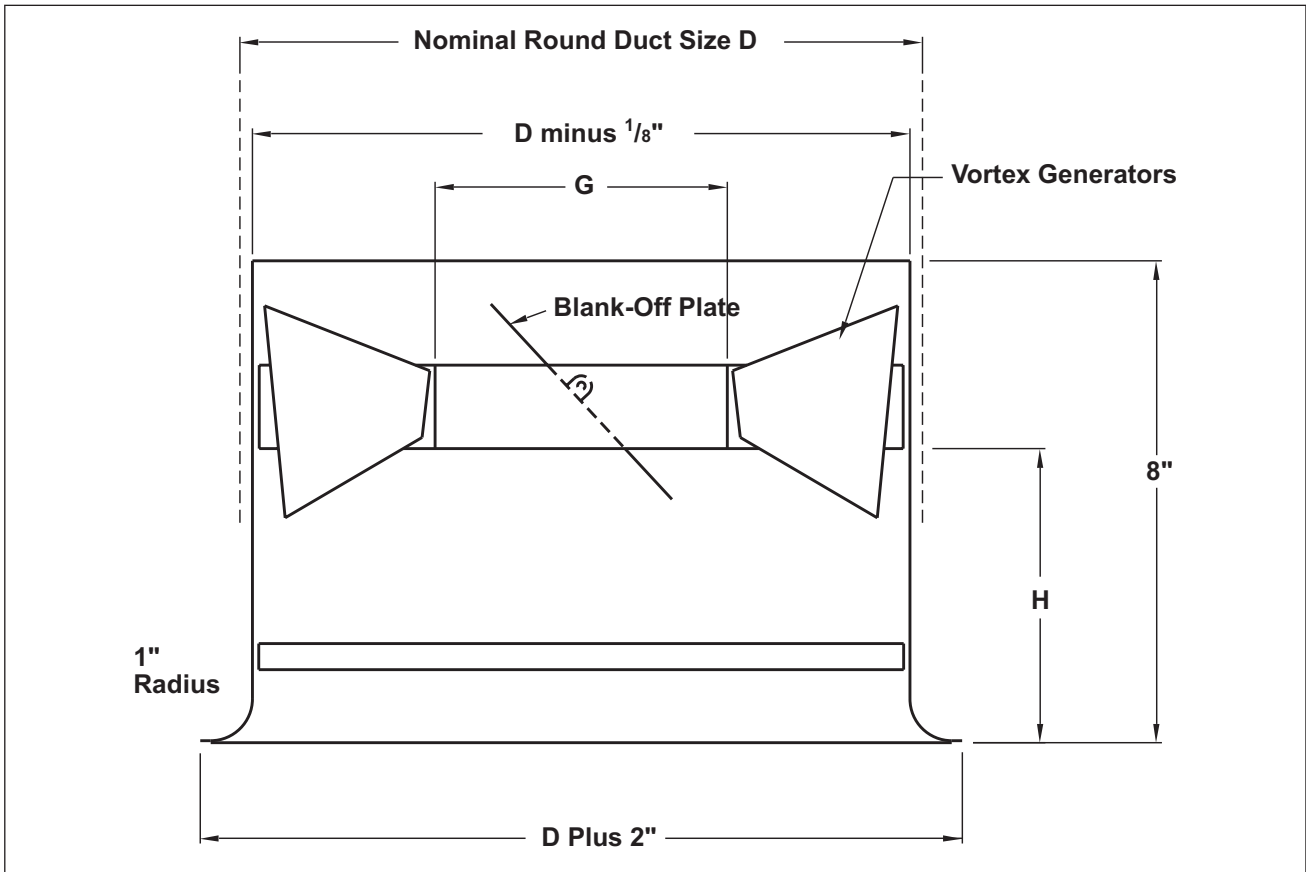


DIMENSIONS

Redefine your comfort zone.™ | www.titus-hvac.com

V-1 UNIT DIMENSIONS



Nominal Round Duct Size D	G	H
6	3 ⁷ / ₈	3 ⁷ / ₈
8	5 ¹ / ₈	3 ⁷ / ₈
10	6 ³ / ₁₆	3 ⁷ / ₈
12	8 ⁷ / ₁₆	4 ⁷ / ₈
14	9 ⁷ / ₁₆	4 ⁷ / ₈
16	10 ⁷ / ₁₆	4 ⁷ / ₈
18	12 ⁷ / ₁₆	4 ⁷ / ₈

F

DIMENSIONS