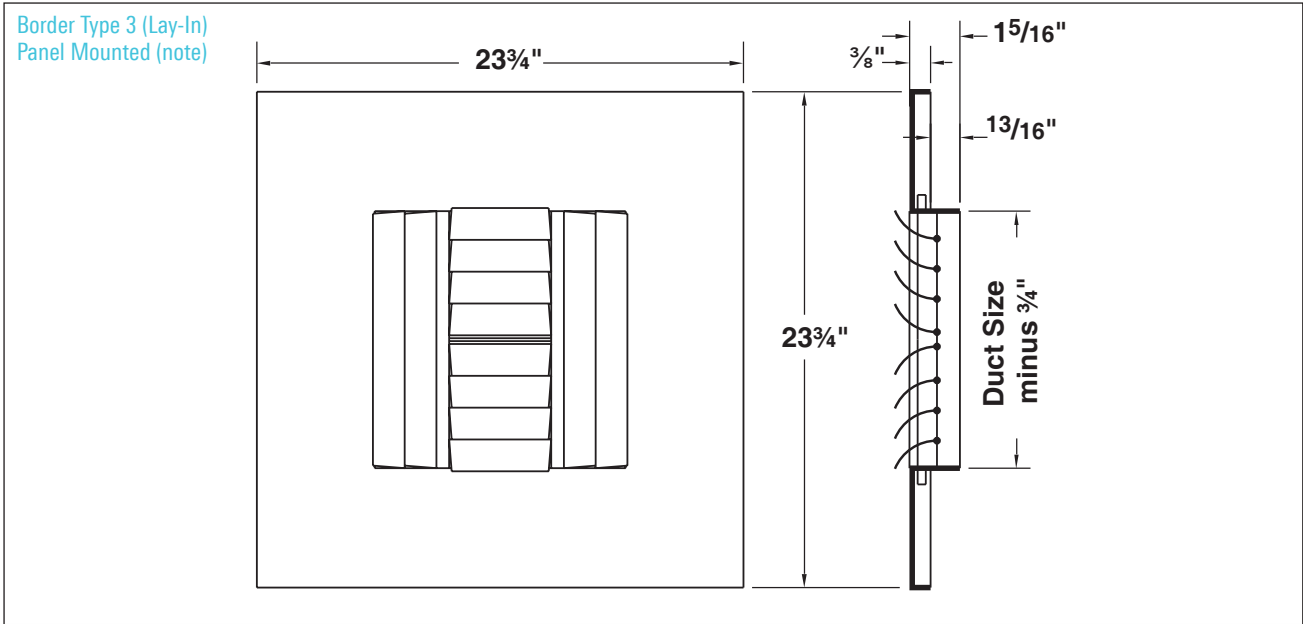


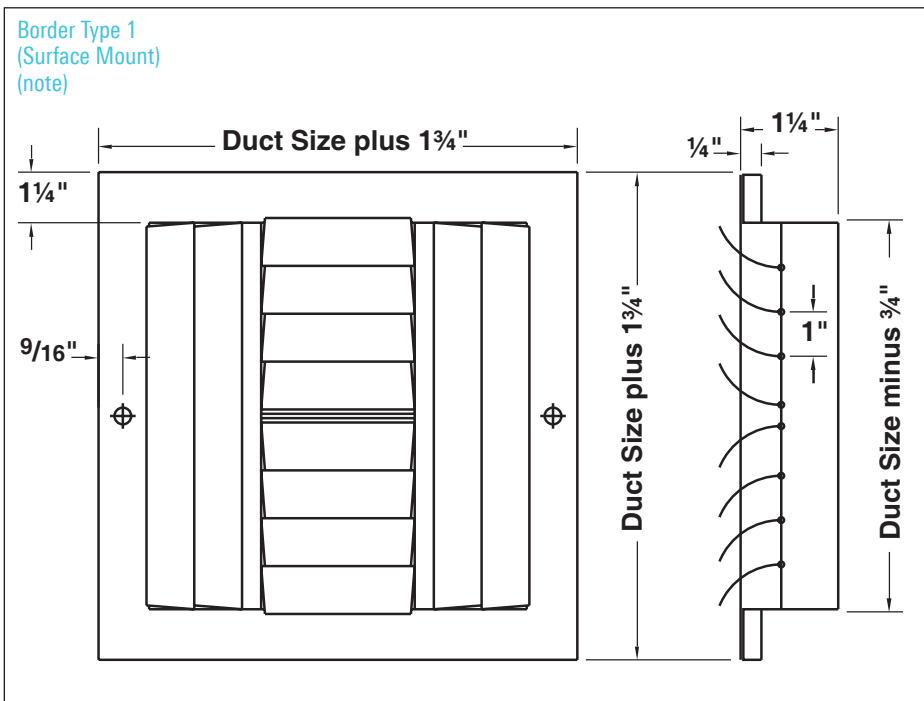
DIMENSIONS

Redefine your comfort zone.™ | www.titus-hvac.com

250 / 250-AA UNIT DIMENSIONS



Note: Maximum duct size is 36 x 36 inches for Border Type 1.



Border Type 3 - Standard
Duct Sizes

- 6 x 6
- 8 x 8
- 9 x 9
- 10 x 10
- 12 x 12
- 14 x 14
- 15 x 15
- 16 x 16
- 18 x 18
- 21 x 21