

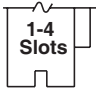
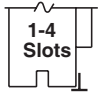
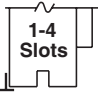
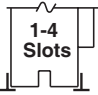
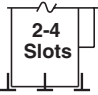
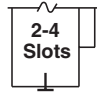
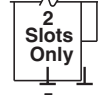
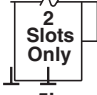
plenum slot diffusers

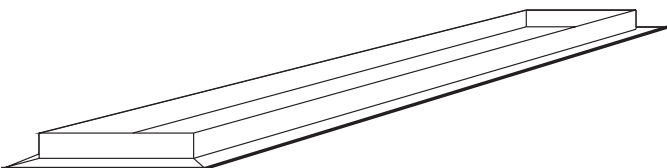
Accessories

Redefine your comfort zone.™ | www.titus-hvac.com

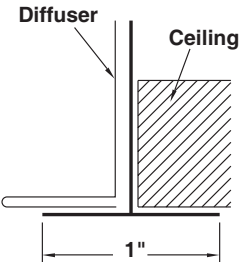
MODELS: TBD-10, TBD / TBR-30, TBD / TBR-80 / T-SLOT / N-SLOT

OPTIONAL FACTORY-FURNISHED T-BARS

 0 No T-Bars	 1 One T-Bar, Inlet Side	 1L One T-Bar, Side Opposite Inlet	 2 Two T-Bars, Outside Edge	 3 All T-Bars	 4 All Center T-Bars, No Outside T-Bars
<p>Note: Factory supplied center or outside T-bars are 1" wide. Center channels are provided on 2- to 4-slot units when T-bars are by others. Only applies to TBD series.</p> <p>TBD-10 available with 1- or 2-slots only</p>					
 5 Two T-Bars, Center & Inlet Side  5L Two T-Bars, Center & Side Opposite Inlet					



Opening in ceiling should be:
Length = Module plus 1/2"
Width = Plenum width plus 3/4"



The model PF slot diffuser mounting frames can be used in a sheetrock or plaster ceiling. The frame is mounted in the ceiling by others. The Titus diffuser is mounted on the inside lip of the frame. The frame is 1/4" high.

OPTIONAL INLET DAMPER

(Supply models only)
Damper ships separately

OPTIONAL MOUNTING CLIPS

MTC-1 (One side)
MTC-2 (Both sides)

OPTIONAL CROSS NOTCH

Available on both supply and return models. Not available on TBD-10 or N Series.

