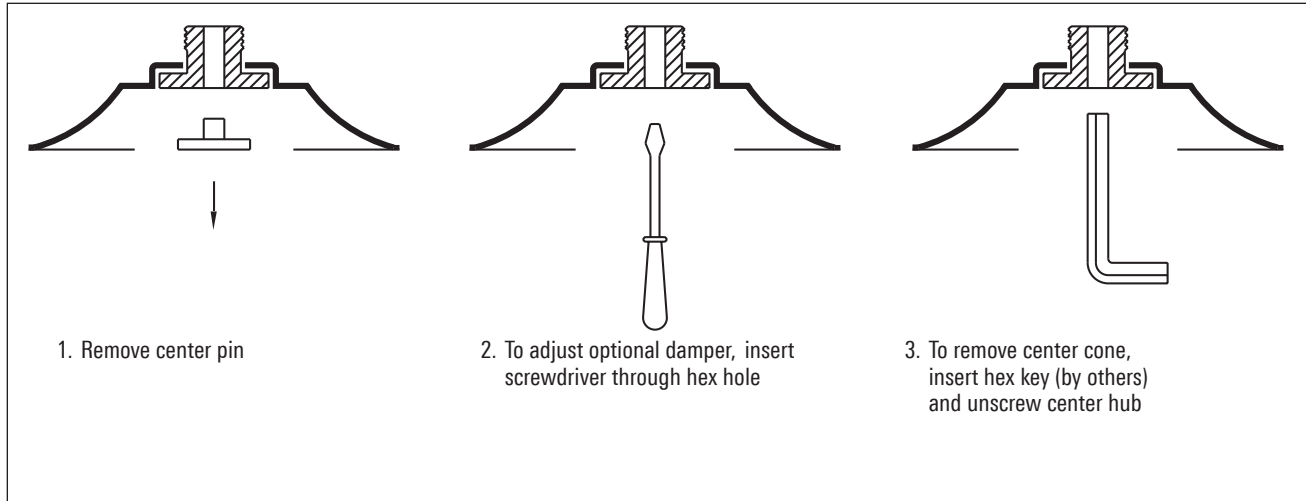


OPTIONAL VOLUME ADJUSTING DAMPER CONTROL - REMOVING CENTER CONE

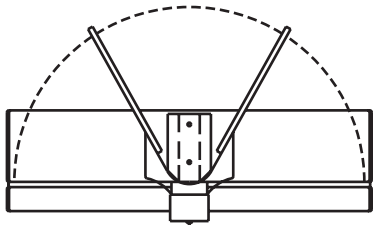


ACCESSORIES (OPTIONAL)

FIRE DAMPER WITH EXTENDED NECK

UL Listed Fusible Volume Adjustment Control

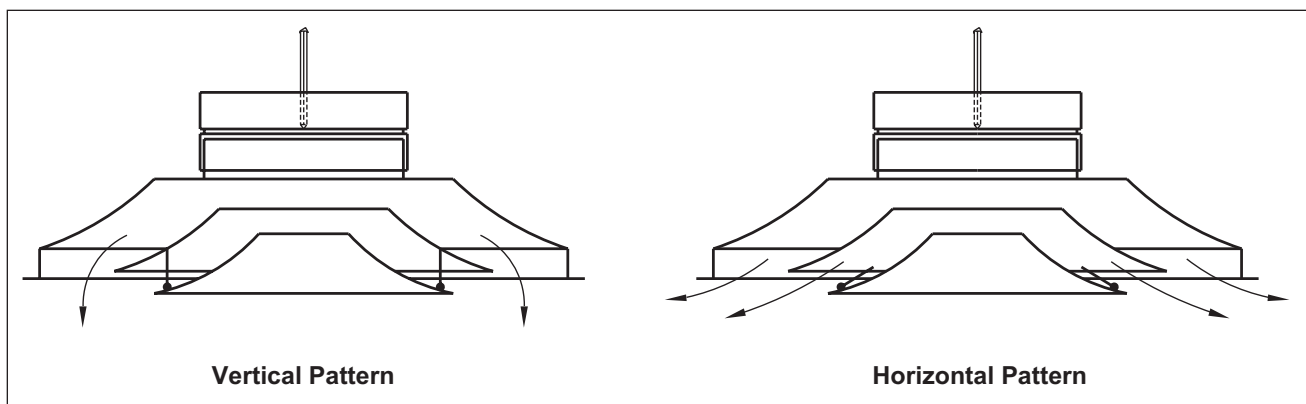
Allows adjustment of fire damper blades to balance airflow. A hex key (by others) is required for adjustment.



Model TMSA-FR

Round Duct Size B	Extended Neck Height
6", 7"	8 ⁷ / ₈ "
8"	8 ¹ / ₄ "
10"	10 ⁵ / ₈ "
12", 14", 15"	10 ³ / ₄ "

MODEL TMSA-FR DISCHARGE PATTERNS



Note: Pattern controller vanes are adjustable to provide vertical or horizontal airflow