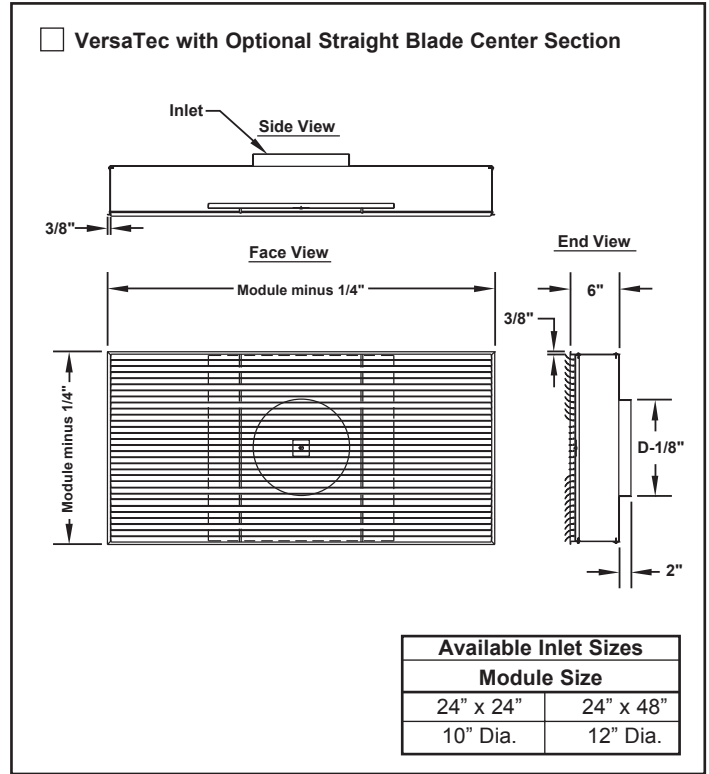
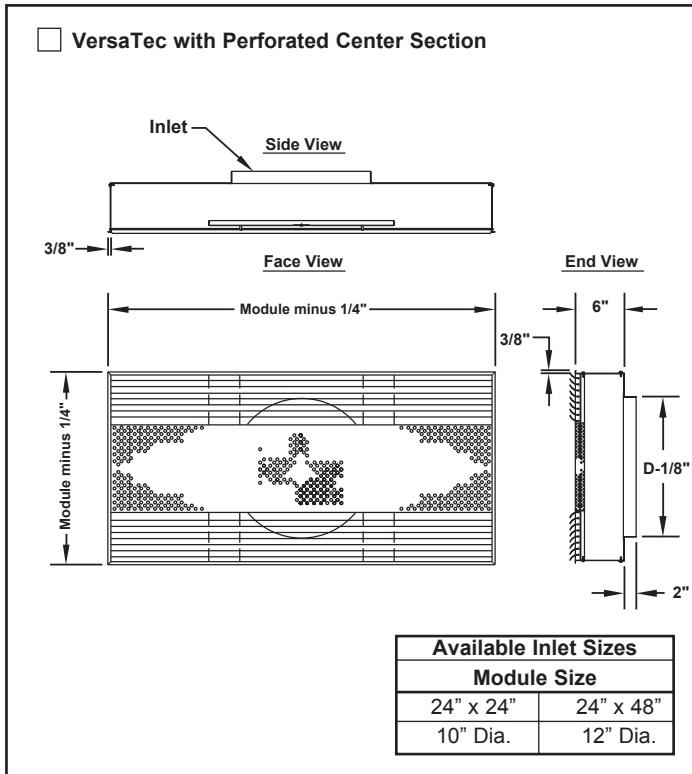


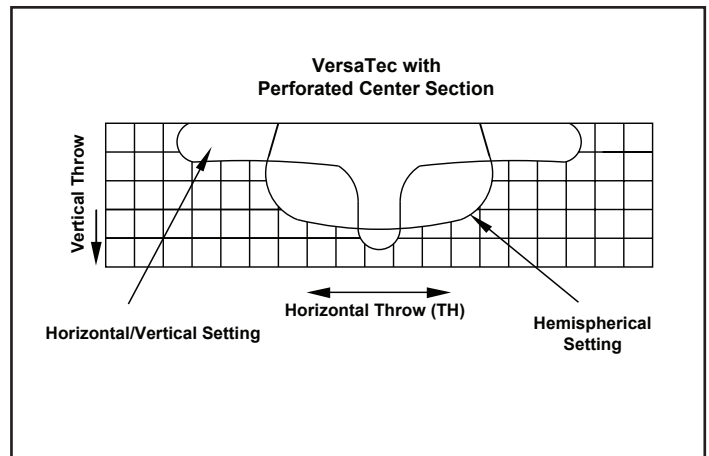
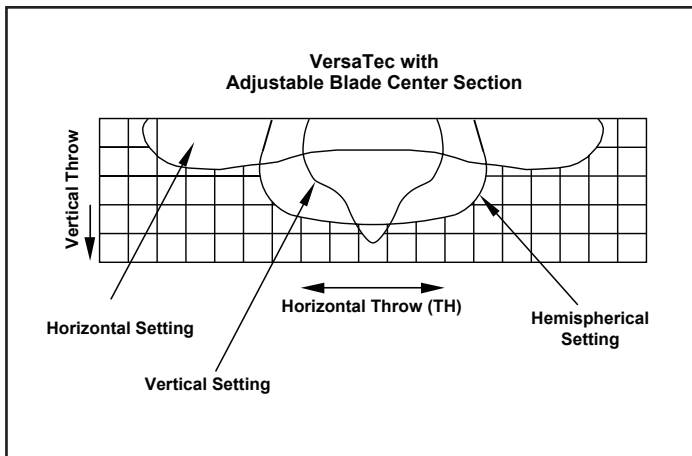
# Critical Environment Diffusion Products

## Adjustable • High Volume • Low Velocity • Radial Air Diffusion

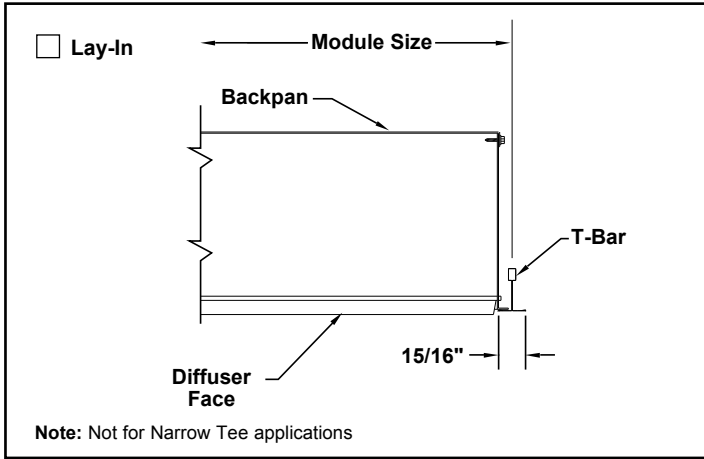
- Model:  **VersaTec** • Steel Backpan with Aluminum Blades
- VersaTec-AL** • Aluminum Backpan with Aluminum Blades
- VersaTec-SS** • 304 Stainless Steel Backpan with Aluminum Blades



### Throw Patterns • Field Adjusted To Match Job Requirements



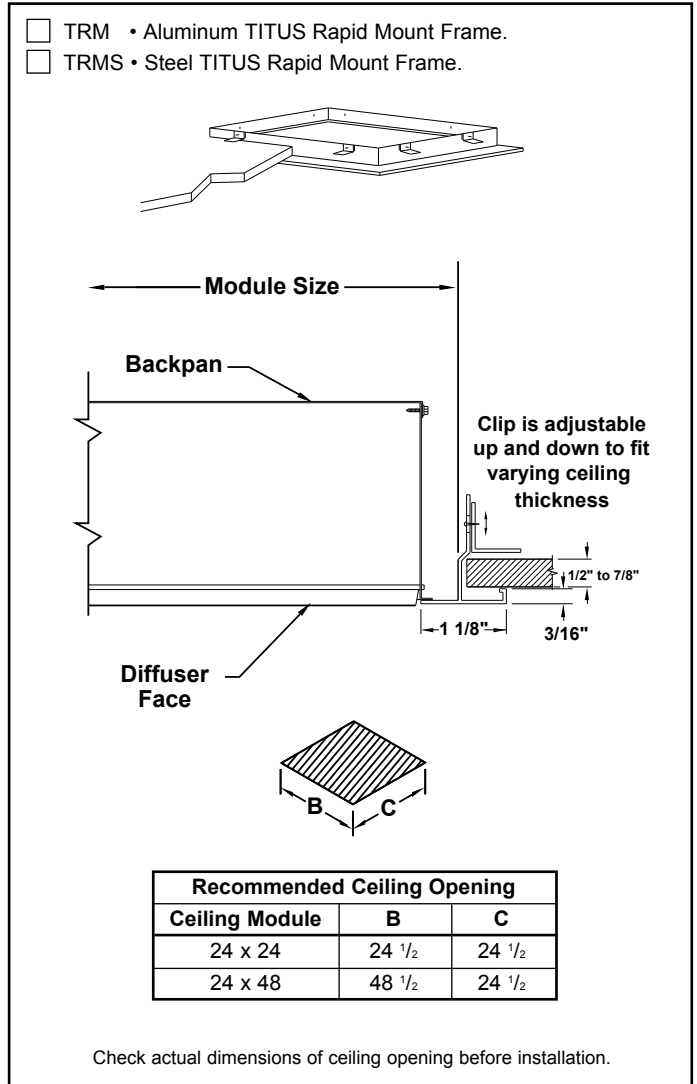
**Submittal CED-VersaTec 2-28-13**



**Standard Finish:** For steel and aluminum products  
#26 White

**Standard Finish:** For stainless steel products  
#04 Mill

Optional Finish \_\_\_\_\_



**General Description**

- Utilizes adjustable blades for maximum free area and directional throw.
- High air flow capacity (200-1000 CFM).
- Available in 24" x 24" and 48" x 24" module sizes.
- Individually adjustable louvers.
- Standard unit lays into standard T-Bar ceiling. Optional TRM/TRMS mounting frame available for surface mounting.
- 24" x 24" has 10" inlet. 48" x 24" has 12" inlet.
- Optional perforated or louvered center section.
- Internal air baffling to equalize air flow across the face of the diffuser.



Note: This submittal is meant to demonstrate general dimensions of this product. The drawings on this submittal are not meant to detail every aspect of the product with exactness. Drawings are not to scale. TITUS reserves the right to make changes without written notice.

605 Shiloh Road • Plano, Texas 75074 • 972-212-4800

CED-1.0-S