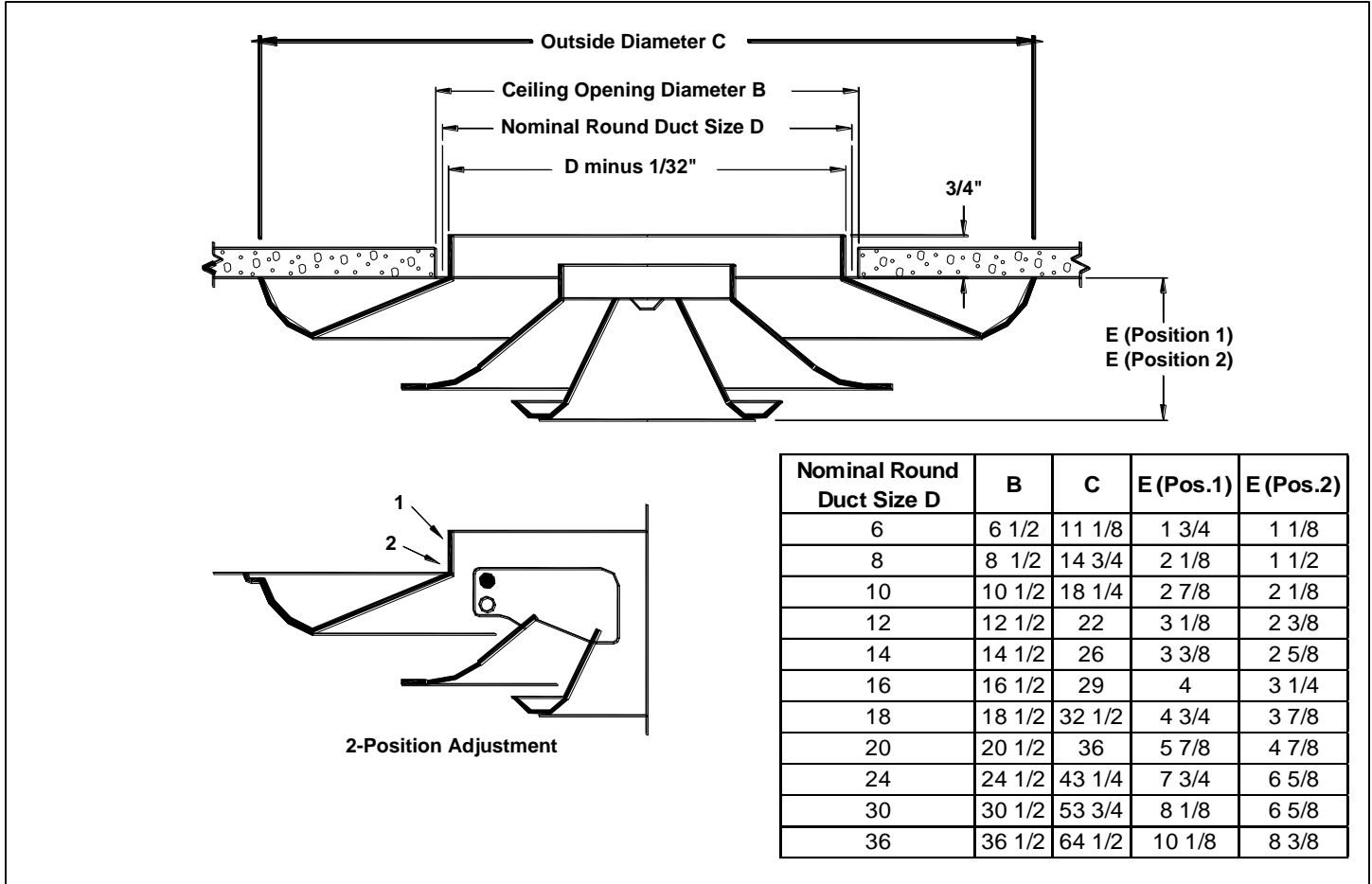


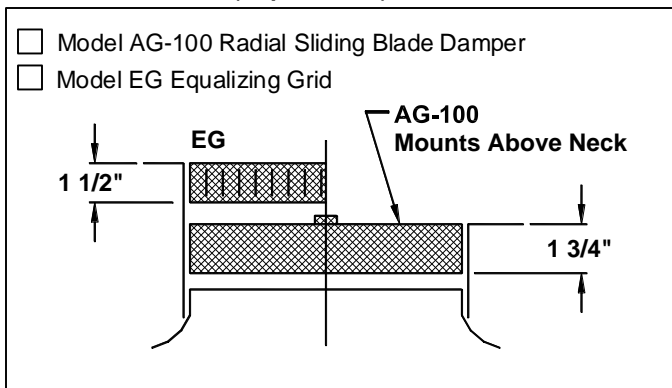
Round Ceiling Diffuser • Steel

Model: TMR • 2 Horizontal Discharge Patterns

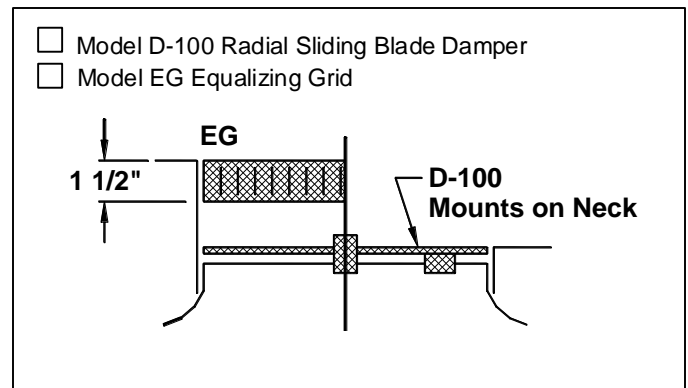


Accessories (Optional) Check if provided.

- Model AG-100 Radial Sliding Blade Damper
- Model EG Equalizing Grid



- Model D-100 Radial Sliding Blade Damper
- Model EG Equalizing Grid



Dimensions are in inches.

Accessories (Optional) for Round Neck

Check if provided.

Model D-75 Opposed Blade Damper
 Model EG Equalizing Grid

Model D-75 damper is available in duct sizes 6 thru 12 inches only.

Model AG-75 Opposed Blade Damper
 Model EG Equalizing Grid

Size	B
6-12	1 1/2
14-36	2 1/8

Model AG-65 Combination Damper and Equalizing Grid

Model AG-85 Butterfly Damper
 Model EG Equalizing Grid

Dimension "A" in Inches, for Dampers Shown

Accessories	Nominal Round Duct Sizes										
	6	8	10	12	14	16	18	20	24	30	36
AG-100	—	—	—	—	—	N/A	N/A	N/A	N/A	N/A	N/A
D-100	—	—	—	—	—	N/A	N/A	N/A	N/A	N/A	N/A
D-75	2 3/8	3 1/4	4 1/8	4 7/8	N/A	N/A	N/A	N/A	N/A	N/A	N/A
AG-85	2 1/2	3 1/2	4 1/2	5 1/2	6 1/2	7 1/2	8 1/2	9 1/2	11 1/2	N/A	N/A
AG-65	3 3/8	4 1/2	5 1/2	7 1/8	8 5/8	9 7/8	11	12 1/4	14 7/8	17 1/2	21 3/4
AG-75	2 3/4	3 5/8	4 1/2	5 3/8	23/4	3 1/2	4 1/8	4 7/8	5 5/8	6 1/8	7 5/8

Note: Model AG-100 and D-100 dampers have radial blades that slide in a horizontal plane. For that reason, no opening clearance "A" is dimensioned.

Other Accessories (Optional) Check if provided.

- Gasketing around outside edge

Standard Finish: #26 White

General Description

- The horizontal discharge settings allow the diffuser to be adjusted for different flow rate conditions. At Position 1, maximum capacity is obtained. At Position 2, induction is increased, and the noise level is increased by 1 NC above those shown in the catalog performance table.
- Uniform 360 degree discharge pattern.
- Excellent performance in variable air volume applications.
- Adjusted by removing the 2 inner cones as a unit and repositioning 6 screws.
- Spring lock allows easy removal and replacement of the 2 inner cones.
- Material is steel.
- For model TMR with neck sizes of 12" to 36" diameter, a retainer cable is provided to allow the inner core to hang during maintenance of the diffuser.

This submittal is meant to demonstrate general dimensions of this product. The drawings are not meant to detail every aspect of the product. Drawings are not to scale. Titus reserves the right to make changes without written notice.