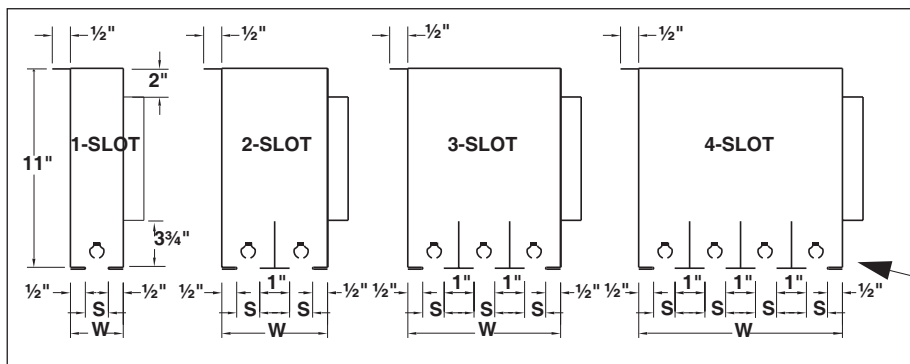
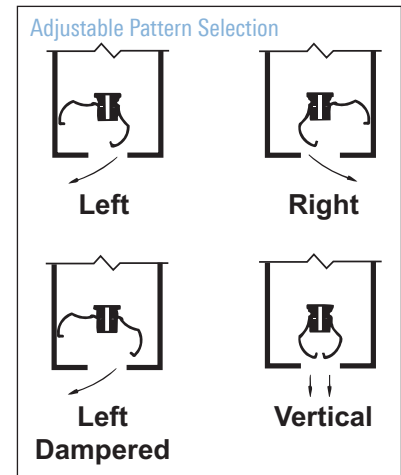
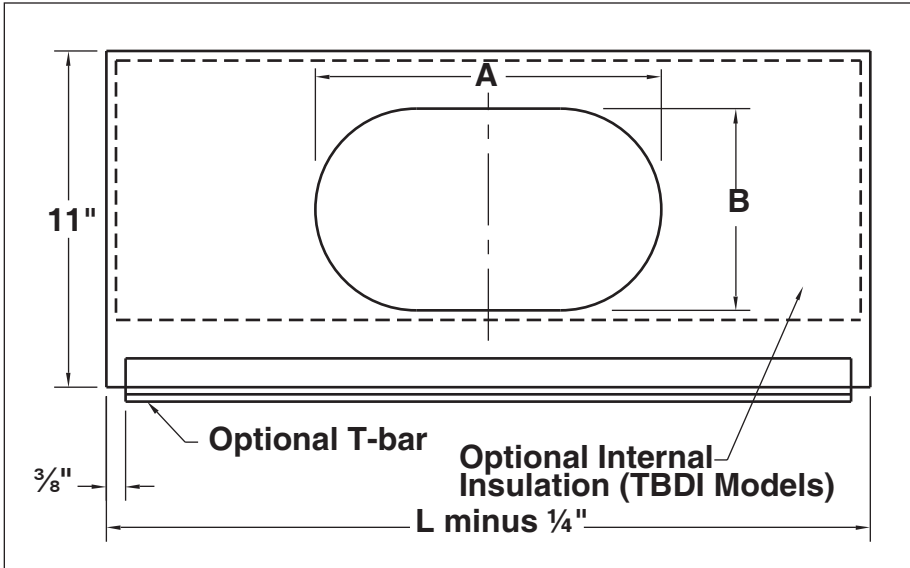


DIMENSIONS

plenum slot diffusers

Redefine your comfort zone.™ | www.titus-hvac.com

TBD-30 UNIT DIMENSIONS



Note: Center T-bars shown above are optional

Nominal Length L	Standard Inlet Sizes
24	6, 8, 10
36	6, 8, 10
48	6, 8, 10, 12
60	6, 8, 10, 12

Standard Inlet Size	Dimensions	
	A	B
6 Oval	6¼	5¼
8 Oval	9	5¼
10 Oval	12½	5¼
12 Oval	15	5¼
No Inlet	-	-

Slot Width S	Width W			
	1-Slot	2-Slot	3-Slot	4-Slot
¾	1¾	3½	5¼	7
1	2	4	6	8