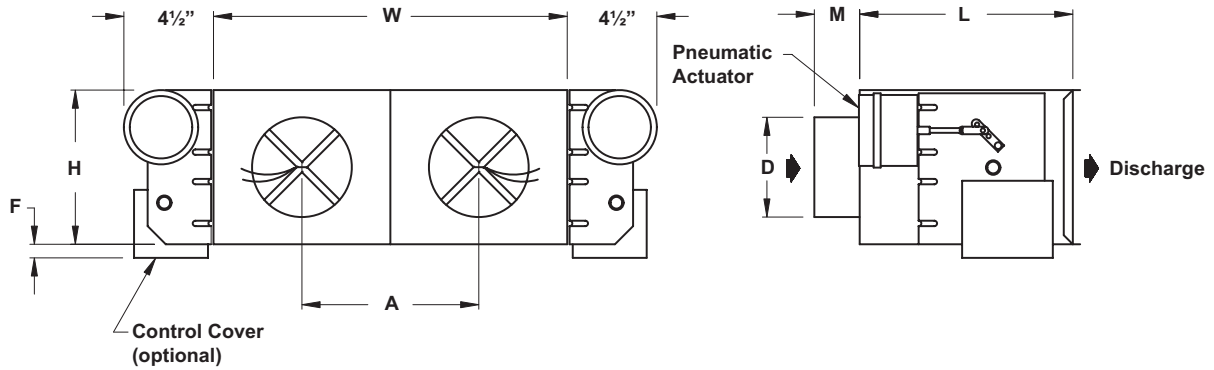
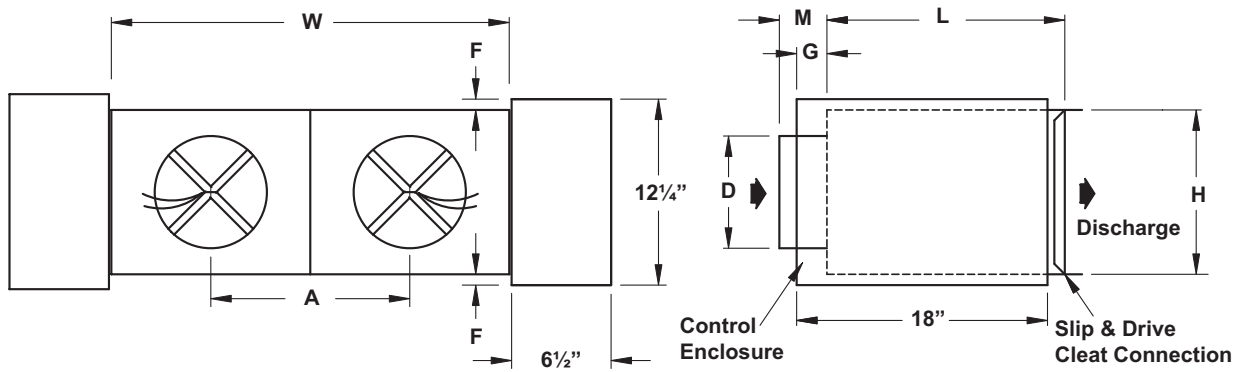


EDV UNIT DIMENSIONS

PEDV - Basic Unit with Controls



DEDV - Basic Unit with Controls



Inlet Size	cfm Range	A	D	F		G	H	L	M	W
				PEDV	DEDV					
4	0-225	12 ¹ / ₈	3 ⁷ / ₈	1 ⁷ / ₈	2 ¹ / ₈	7 ³ / ₈	8	15 ¹ / ₂	5 ³ / ₈	24 ¹ / ₈
5	0-350	12 ¹ / ₈	4 ⁷ / ₈	1 ⁷ / ₈	2 ¹ / ₈	7 ³ / ₈	8	15 ¹ / ₂	5 ³ / ₈	24 ¹ / ₈
6	0-500	12 ¹ / ₈	5 ⁷ / ₈	1 ⁷ / ₈	2 ¹ / ₈	7 ³ / ₈	8	15 ¹ / ₂	3 ³ / ₈	24 ¹ / ₈
7	0-650	12 ¹ / ₈	6 ⁷ / ₈	7 ⁷ / ₈	1 ¹ / ₈	7 ³ / ₈	10	15 ¹ / ₂	3 ³ / ₈	24 ¹ / ₈
8	0-900	12 ¹ / ₈	7 ⁷ / ₈	7 ⁷ / ₈	1 ¹ / ₈	7 ³ / ₈	10	15 ¹ / ₂	3 ³ / ₈	24 ¹ / ₈
9	0-1050	14 ¹ / ₈	8 ⁷ / ₈	-	-	5 ³ / ₈	12 ¹ / ₂	15 ¹ / ₂	3 ³ / ₈	28 ¹ / ₈
10	0-1400	14 ¹ / ₈	9 ⁷ / ₈	-	-	5 ³ / ₈	12 ¹ / ₂	15 ¹ / ₂	3 ³ / ₈	28 ¹ / ₈
12	0-2000	16 ¹ / ₈	11 ⁷ / ₈	-	-	5 ³ / ₈	15	15 ¹ / ₂	3 ³ / ₈	32 ¹ / ₈
14	0-3000	20 ¹ / ₈	13 ⁷ / ₈	-	-	3 ³ / ₈	17 ¹ / ₂	15 ¹ / ₂	3 ³ / ₈	40 ¹ / ₈
16	0-4000	24 ¹ / ₈	15 ⁷ / ₈	-	-	3 ³ / ₈	18	15 ¹ / ₂	3 ³ / ₈	48 ¹ / ₈