

A I R D I S T R I B U T I O N
PRODUCTS

PRODUCT:
FLOWBAR



FLOWBAR
ARCHITECTURAL LINEAR DIFFUSER

F O C U S

02



ADVANCING THE SCIENCE OF AIR DISTRIBUTION

Rethink what air management systems can be.
Revise your notion of functionality.
Redefine your comfort zone.™



Comfort, Redefined.

Since 1946, Titus has focused on technologically advanced products that create the highest degree of comfort.

We've consistently led the industry by breaking the barriers of expectation and convention when it comes to technology. We've redefined how technology drives, influences and supports air management. And by being first to market with the most innovative approaches to air distribution, we're proud to say that the marketplace has taken notice, and is counting on us to lead the way into the next decade. A challenge we're more than happy to accommodate.

Titus has raised the bar on design, proving that functional can also be beautiful. And we've redefined what it means to be energy efficient, with a collection of smart technology products that optimize the use of natural resources.

Titus has also redefined what it means to work with an air management products partner. We pride ourselves on listening and responding so that we can not only meet expectations, but also exceed them. Service has been, and will always be, our main focus at Titus. And, it's why so many of our customers keep coming back.

Welcome to your new comfort zone. It starts here.

Overview



FlowBar installed in the Fossil Corporate Headquarters in Richardson, Texas

The FlowBar™ architectural linear diffuser system maximizes engineering performance without sacrificing aesthetic considerations for the designer. FlowBar's outstanding performance allows higher airflows than conventional linear diffusers, with lower noise levels, making it ideal for high profile designs.

FlowBar also offers an installation alternative to the conventional linear diffuser. Conventional linear diffusers are supported by the duct system and in most cases are installed after the ceiling system is in place. For complete ceiling integration, the FlowBar system is offered with a large selection of flange styles compatible with various ceiling applications. Our unique clip/hanger support system allows for quick and easy installations.

The FlowBar system actually supports and becomes an integral part of the ceiling system and is installed along with the ceiling suspension system.

Titus FlowBar offers a new concept of air distribution that fully integrates with all ceiling systems. The FlowBar system is available in continuous linear, incremental linear and square configurations. This entire series of diffusers is available with two unique pattern controllers.

The HighThrow pattern controller allows air to be directed to the left or right as well as downward when installed in a ceiling system. As air is directed in either direction horizontally, a surface effect is maintained, even at reduced volumes, to provide room air motion without drafts. This, along with its high induction characteristics, makes HighThrow an excellent choice for variable volume systems.

The JetThrow pattern controller allows the airstream to be directed to meet required comfort conditions. JetThrow is an excellent choice for high bay applications, perimeter zones requiring vertical projection and for side wall applications requiring extended throw.

Both HighThrow and JetThrow pattern controllers can be combined within a single FlowBar system.

ADDITIONAL FEATURES OF THE TITUS FLOWBAR SYSTEM INCLUDE:

- Single slot, large capacity linear diffuser offers the designer an alternative to other multi-slot linear diffusers
- Supports and fully integrates with various ceiling systems
- Reduces costs and installation difficulties associated with conventional linear diffusers
- Manufactured entirely from heavy wall extruded aluminum
- Available in 6-foot or 12-foot segments
- Standard accessories ensure straight and true installations
- All FlowBar models are available custom curved to meet designer's requirements
- QuickClip® Mounting option allows installation after hard ceiling is installed
- All models available in HighThrow and JetThrow versions

FINISHES

Standard Finish - #26 white border (black pattern controllers)

Optional Finish - wood grain & anodized finishes available

Note: Border 22 and 55 are finished in #84 Black



Custom color options available

FL-10

ARCHITECTURAL LINEAR DIFFUSER / ALUMINUM / 1" SLOT

- » Multiple frame styles available to complement various ceiling types
- » All FlowBar systems are available curved
- » Directly connected to the ceiling support components ensuring straight and true installations
- » Integral pattern controllers are on standard 24-inch centers, allowing the airstream to be directed left and right for horizontal and vertical airflow
- » Mitered corners, mitered tees and butt ends are available



metric sizes



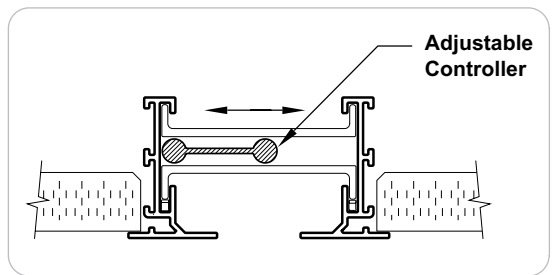
wood grains

FL-10

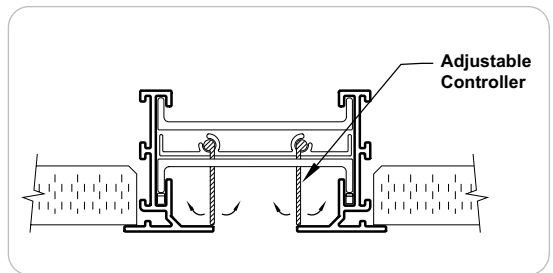
FlowBar architectural linear diffuser system maximizes engineering performance without sacrificing aesthetic considerations for the designer. FlowBar's outstanding performance allows higher airflows than conventional linear diffusers. The wide array of slot widths allow for more CFM per linear foot while minimizing noise and pressure loss. The Flowbar system is available in continuous linear, incremental linear and square configurations.

MODELS:

- FL-10 - 1.0" slot
- FL-15 - 1.5" slot
- FL-20 - 2" slot
- FL-25 - 2.5" slot
- FL-30 - 3" slot



HighThrow Series



JetThrow Series

FL-TZ

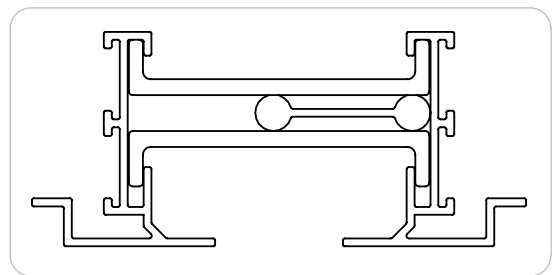
ARCHITECTURAL SLOT DIFFUSER FOR TECHZONE SYSTEMS

- » FlowBar linear diffuser designed to fit into Armstrong TechZone ceiling grid systems in 4" and 6" nominal widths
- » Slot width is 1" and is available in either high throw (HT) or jet throw (JT) configuration
- » Three border types available - LT (lay-in), NT (narrow tee), and DF (drop face)
- » Adjustable pattern controllers change direction of airflow

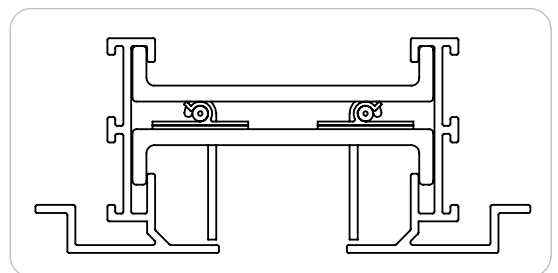


FL-TZ

FlowBar architectural linear diffuser designed to fit the Armstrong TechZone system maximizes engineering performance without sacrificing aesthetic considerations for the designer. FlowBar's outstanding performance allows higher airflows than conventional linear diffusers.



HighThrow Series



JetThrow Series

Overview



Originally developed as an ideal choice for perimeter applications, the flexibility of Titus Flowbar™ makes it an excellent choice for interior applications, as well. It's low profile design and quiet operation make it an excellent solution for office spaces, lobbies, or any space that requires a combination of form and function.

The GeoFlow series is designed to integrate with the Armstrong DesignFlex® System. It is an excellent choice for a single slot, high performance interior applications. The GeoFlow diffusers complement the Titus FlowBar™ linear diffuser system, ideally suited for perimeter applications.

The ModuFlow series is an excellent choice for interior spaces requiring a visually pleasing single slot, high performance diffuser. The ModuFlow diffusers are designed to complement the Titus FlowBar linear diffuser system. One of the exciting features of the ModuFlow diffuser is that it is engineered to handle large capacities of air using a single slot.



GFB/GFBI-10

GEOFLOW ARCHITECTURAL CEILING DIFFUSER / ALUMINUM / 1" SLOT

The GeoFlow diffuser is shipped fully assembled with flush filler panel, snap-on plenum and is ready to install out of the box.

- » The GeoFlow diffuser can be easily field adjusted for directional pattern control including blank off options to provide multiple airflow patterns.
- » Diffuser is heavy wall, extruded aluminum, Snap-on plenums are galvanized steel and available in top or side inlets.



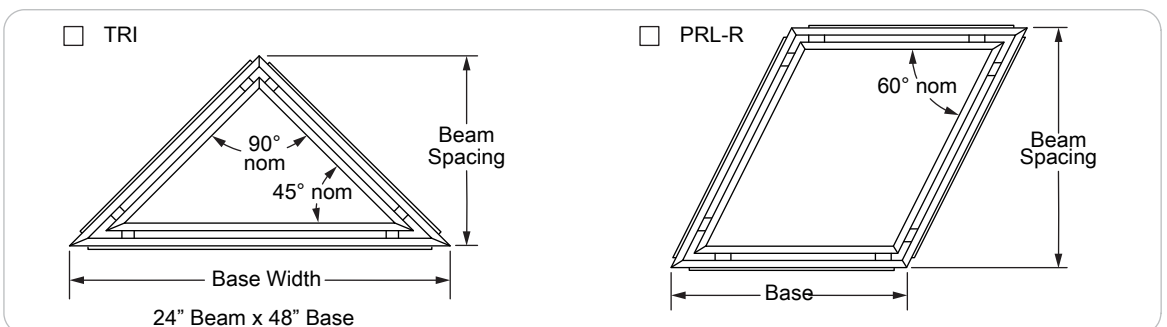
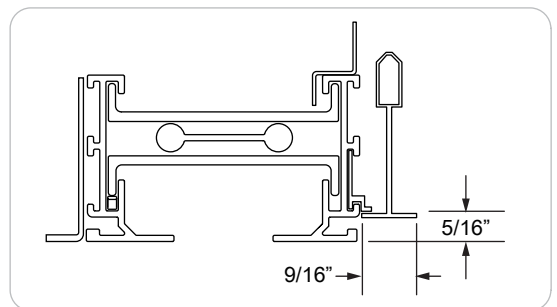
Office

GFB/GFBI-10

The time-proven aerodynamic FlowBar™ borders and pattern controllers in the GeoFlow provide superior throw, low pressure drop and peak airflow throw patterns.

MODELS:

- GFB-10 - 1.0" slot
- GFBI-10 - 1.0" slot, insulated plenum
- GFR-10 - perforated return



MF/MFI-10

MODUFLOW ARCHITECTURAL CEILING DIFFUSER

- » One of the exciting features of the ModuFlow diffuser is that it is engineered to handle large capacities of air using a single slot
- » ModuFlow diffusers can be field adjusted for vertical or horizontal directional air patterns. Set for horizontal flow, the diffuser generates a tight air pattern along the ceiling. This air pattern maximizes space, comfort and makes the diffuser an excellent selection for variable volume air systems.
- » ModuFlow diffusers are designed for lay-in, concealed or hard ceilings. Standard module size is 24 x 24 inches. Standard slot width is 1". Units are shipped with integral plenums and hoods.

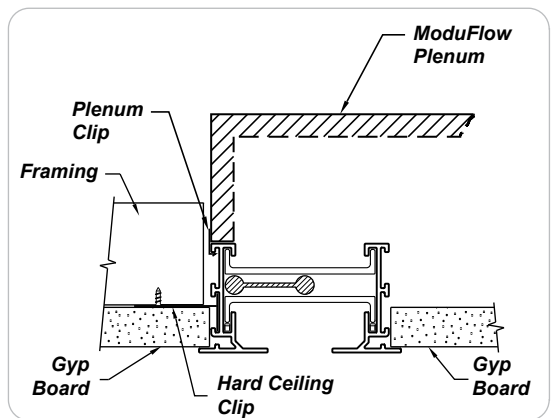
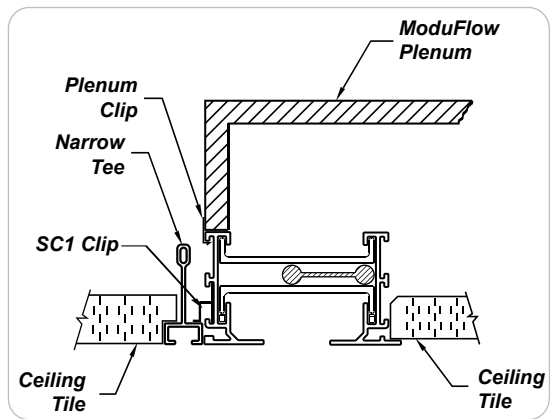


MF/MFI-10

The ModuFlow diffuser is designed to fully integrate into the ceiling system, by allowing the architect the opportunity to blend the air distribution system into the ceiling design and give the designer the flexibility to use the diffuser in a wide range of space sizes and configurations.

MODELS:

- MF-10 - 1" slot
- MFI-10 - 1" slot, insulated
- MFB-10 - 1" slot, bolt-slot
- MFBI-10 - 1" slot, bolt-slot, insulated
- MFR-10 - 1" slot, return
- MFRB-10 - 1" slot, bolt-slot, return



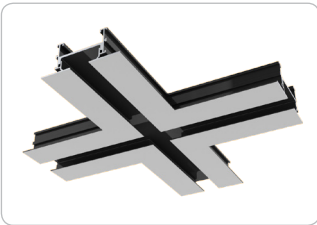
Accessories



FBMC | MITERED CORNER FOR FLOWBAR DIFFUSERS

Titus FBMC is used to join non-parallel FlowBar segments.

- » FlowBar diffusers can be joined together end-to-end to form continuous runs
- » Optional End Borders and End Caps close off the ends of the diffusers and simplify installations ending at walls and other stopping points
- » Optional mitered corners are rendered inactive with factory installed blank-offs



FBC | FLOW CROSS FOR FLOWBAR DIFFUSERS

Titus FBC is a FlowBar accessory used to create an intersection of 2 perpendicular segments.

- » Five different sizes in 1/2" increments, ranging from a 1" slot to 3" slot
- » FBC is an inactive segment constructed with factory blank offs



HTSK | OPTIONAL FIELD CUT SPACER KIT FOR FLOWBAR DIFFUSERS

An optional field cut spacer kit that provides installation flexibility for when FlowBar diffuser lengths are unknown. Used for FL models with HT pattern controllers.

- » Five different sizes in 1/2" increments, ranging from a 1" slot to 3" slot
- » HTSK to be installed a minimum of 1/4 inch from the end of the FL



JTSK | OPTIONAL FIELD CUT SPACER KIT FOR FLOWBAR DIFFUSERS

An optional field cut spacer kit that provides installation flexibility for when FlowBar diffuser lengths are unknown. Used for FL models with JT pattern controllers.

- » Five different sizes in 1/2" increments, ranging from a 1" slot to 3" slot
- » JTSK to be installed a minimum of 1/4 inch from the end of the FL

Accessories



FBBO | BLANK-OFF FOR FLOWBAR DIFFUSERS

Used to create inactive sections of FlowBar by blocking airflow.

- » Units ship in 6 foot increments, field cut for shorter length
- » Five different sizes in ½" increments, from a 1" slot to 3" slot
- » Optional blank-off (painted flat black)
- » Can be used to block light from plenum space



FBR | UNINSULATED RETURN HOOD/LIGHT SHIELD FOR FLOWBAR

Titus FBR is a FlowBar accessory used to create passive return sections and as a light shield.

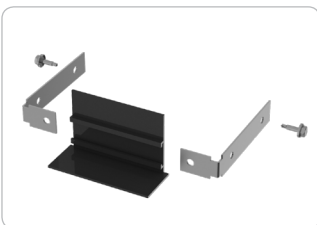
- » Five different sizes in ½" increments, ranging from a 1" slot to 3" slot
- » Return hoods are 51 percent free-area perforated galvanized steel (painted flat black)



FBRI | INSULATED RETURN HOOD/LIGHT SHIELD FOR FLOWBAR

Titus FBRI is a FlowBar accessory used to create a solid light shield in passive return sections.

- » Five different sizes in ½" increments, ranging from a 1" slot to 3" slot
- » Units ship in 4 foot increments, field cut for shorter lengths
- » Return hoods are 51 percent free-area perforated galvanized steel
- » Top of FBRI is lined with fiberglass insulation to create a non-perforated shield
- » Not available on curved FlowBar

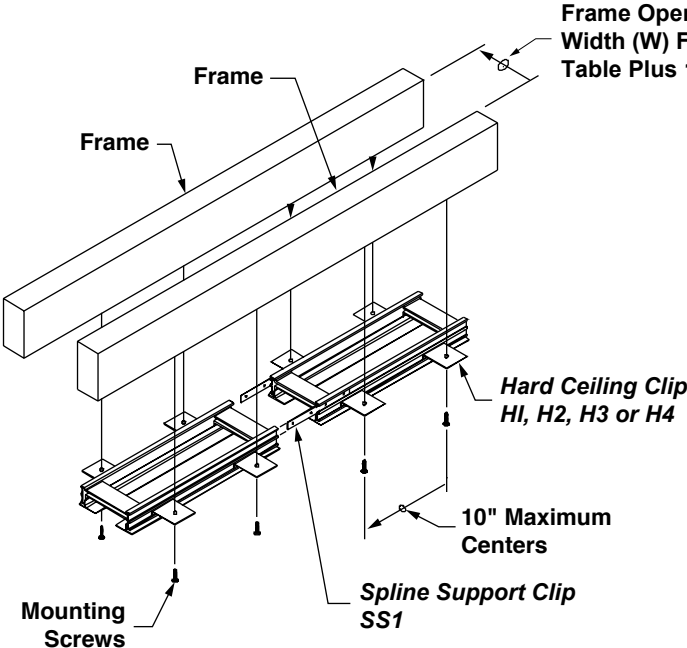


FBSB | FLOWBAR STRAIGHT END BORDER

Titus FBSB are straight end borders used to terminate FlowBar ends with a face border.

- » The FBSB are the borders used when FlowBar is specified with SXX end fabrication
- » Installs by sliding the spine clips into existing FlowBar borders

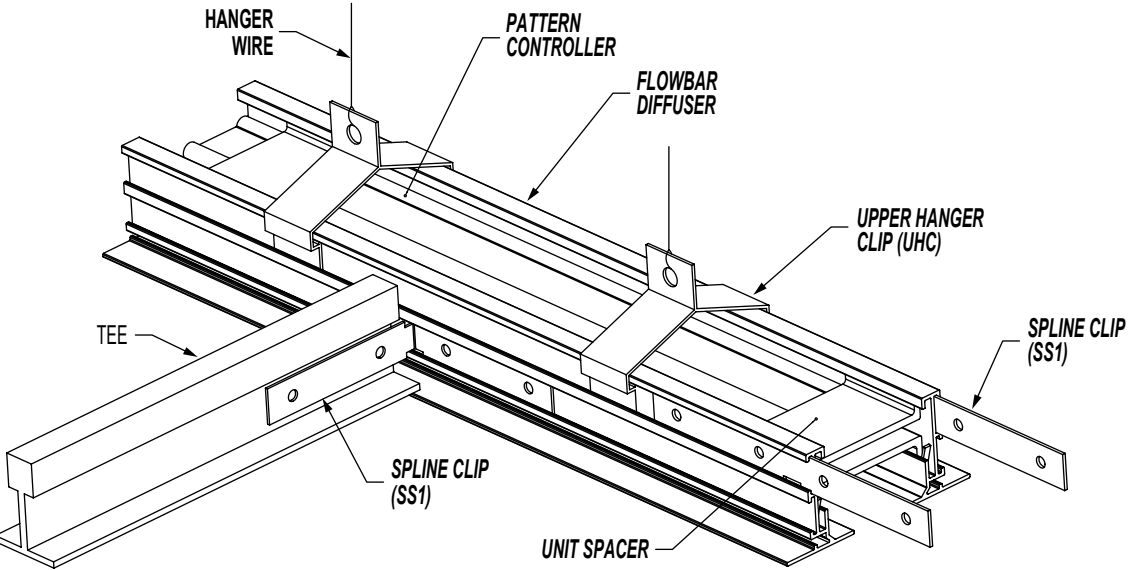
Installation Methods



FlowBar Model	Frame Opening Width (W)		
	1-SLOT	2-SLOT 2CRA & 2CRB	2-SLOT 2CRN
FL-10	3 ¹ / ₄	5 ¹¹ / ₁₆	6 ⁷ / ₁₆
FL-15	4 ¹ / ₄	7 ¹¹ / ₁₆	8 ⁷ / ₁₆
FL-20	5 ¹ / ₄	9 ¹¹ / ₁₆	10 ⁷ / ₁₆
FL-25	6 ¹ / ₄	11 ¹¹ / ₁₆	12 ⁷ / ₁₆
FL-30	7 ¹ / ₄	13 ¹¹ / ₁₆	14 ⁷ / ₁₆

Table 1. Frame Opening Dimensions

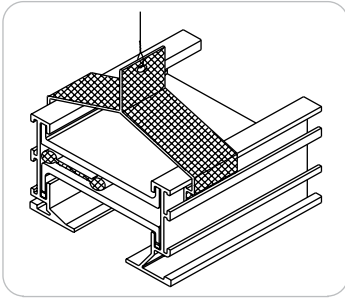
Refer to Titus FlowBar IOM for additional installation details



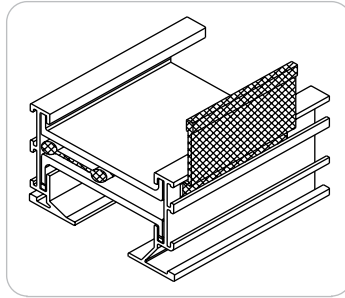
Refer to Titus FlowBar IOM for additional installation details

Items in *italics* are supplied by Titus
 Items not *italized* are supplied by others

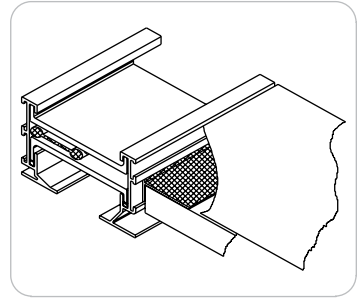
Mounting Hardware Installation & Details



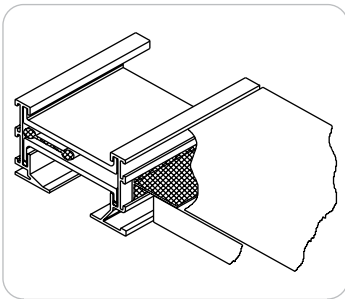
UHC
Upper Hanger Clip



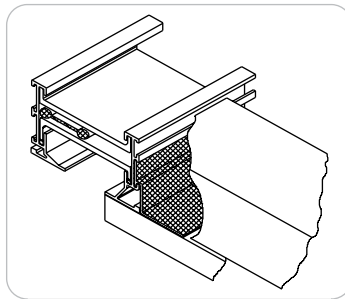
USH
Upper Support Hanger



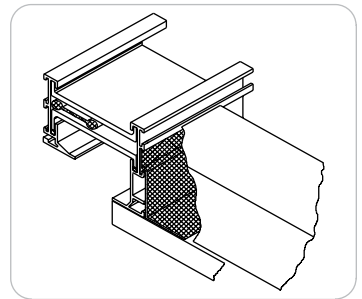
H1
Hard Ceiling Clip



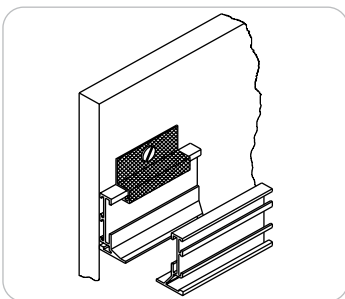
H2
Hard Ceiling Clip



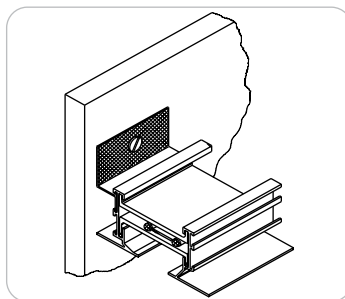
H3
Hard Ceiling Clip



H4
Hard Ceiling Clip



WC3
Wall Clip



WC4
Wall Clip

CASE STUDY

Fossil Corporate Headquarters

Richardson, Texas

Client - Fossil

Rep Office - ADW Corporation

Architect - Corgan Associates

Engineering Firm - Schmidt & Stacy

Consulting Engineers

Contractor - TDIndustries

LEED Certification - None



ABOUT THE PROJECT

The new Fossil Headquarters located in the old BlueCross /BlueShield of Texas building is an impressive interior renovation completed by Corgan Associates, Schmidt & Stacy Consulting Engineers, TDIndustries and others in a very short timeframe. The contractors and installers had consistent input from the designers throughout the project. The new headquarters combines three buildings to create a breathtaking facility that consists of open and hard ceilings, a two-story gym, a photo lab for producing their own marketing collateral and conference rooms that resemble small boutique stores! Fossil truly spared no expense when it came to creating the perfect office environment for its employees and customers.

THE TITUS SOLUTION

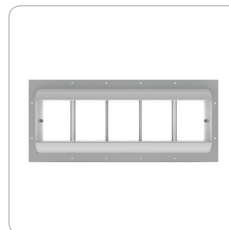
Titus was extremely pleased to be selected to provide the air distribution for such a strong fashion brand. We have many products that not only work well in open-ceiling environments, but also produce products that perform well in hard ceiling applications. There are a tremendous amount of Titus products featured throughout this 535,000 square-foot facility. The majority of our products featured within the new headquarters are the TMR-AA diffuser, the FlowBar, the ML diffuser, and the Drum Louver (DL).



FlowBar



TMR-AA



DL



ML

Titus model TMR-AA is a round ceiling diffuser designed for both heating and cooling applications. All sizes have three cones, giving it a uniform appearance where different sizes are used in the same area. The TMR-AA delivers a uniform 360° air discharge pattern and exhibits excellent performance in variable air volume (VAV) systems.

Our linear bar diffusers are quickly becoming a favorite selection for architects to choose from. Titus' FlowBar and ML diffusers highlight this particular set of diffusers. The FlowBar is an architectural linear diffuser system that maximizes engineering performance without sacrificing the aesthetic considerations of the architect. FlowBar's outstanding performance allows higher airflows than conventional linear diffusers. The wide array of slot widths allow for more CFM per linear foot while minimizing noise and pressure loss. The Flowbar system is available in continuous linear, incremental linear and square configurations. The Titus ML Modulinear diffuser is a high performance, high quality linear slot diffuser. The unique "ice tong" deflector blades allow for both changes in air volume and direction from the face of the diffuser. This diffuser is also available in 1 through 8-slot configurations except for the ML-40. It is only available in 4-slot configurations.

Finally, Titus drum louvers (DL) are great for shopping malls, warehouses, sports arenas, gyms, factories and other large open areas where air must be thrown over a large distance. The high capacity long throws and rugged construction make them an ideal choice for any commercial / industrial application. Additionally, our TMS diffuser, 23RL grille and CT linear bar diffuser are also featured at various points within the building.

THE END RESULT

The completion of Fossil's impressive corporate headquarters renovation was a very quick and coordinated effort by all involved. The representative firm, contractors, engineers, and architects all coordinated their efforts to create a superior working environment for one of the world's best Lifestyle and Watch brands. This facility will definitely aid in Fossil keeping the creative juices flowing to maintain it's status as a strong brand name for many years to come.



Icons



metric sizes

Diffuser module sizes are hard metric & inlets are soft. Metric linear and grille products are converted to the nearest 1/4" for ordering. Contact us for more information.



wood grains

finish options that resemble wood grains, perfect for high-profile architectural applications

Notes



Redefine your comfort zone™



FLOWBAR

605 Shiloh Rd.
Plano, Texas 75074
(ofc): 972.212.4800
(fax): 972.212.4884
(web): www.titus-hvac.com