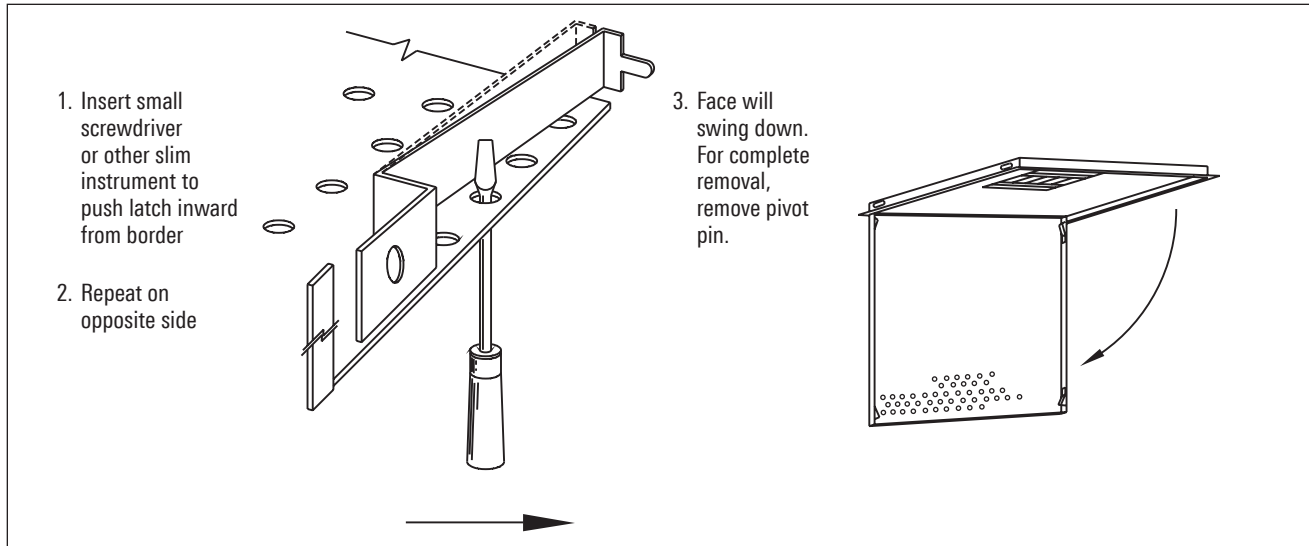
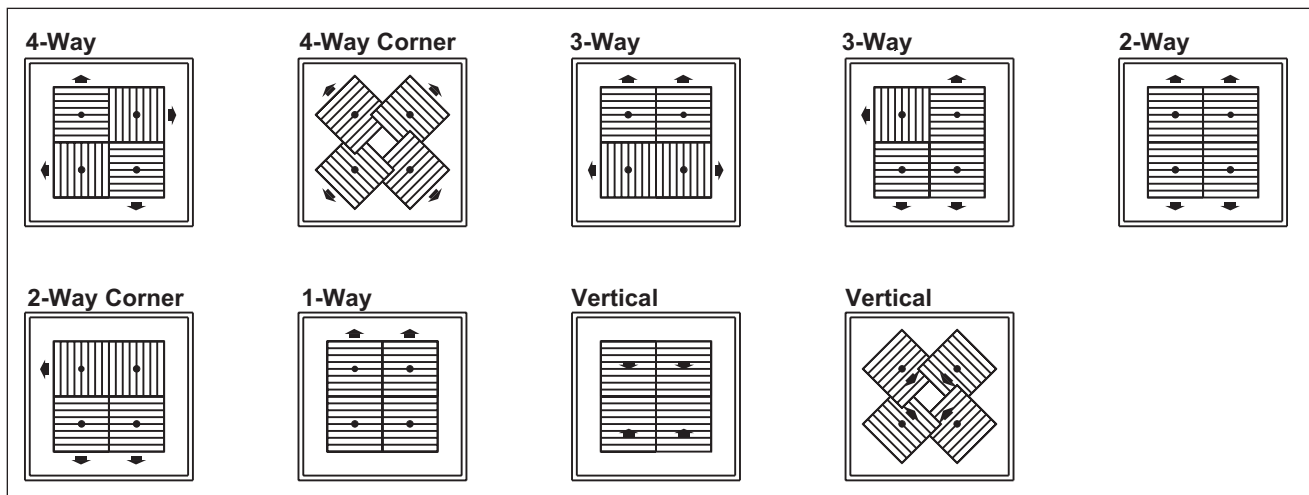


REMOVING THE PERFORATED FACE



ADJUSTING PATTERN CONTROLLERS ON MODEL PAS-FR

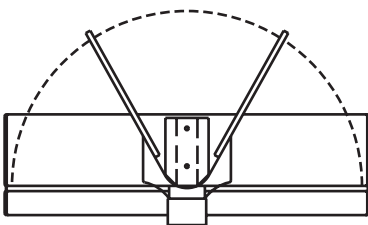


ACCESSORIES (OPTIONAL)

FIRE DAMPER WITH EXTENDED NECK

UL Listed Fusible Volume Adjustment Control

Allows adjustment of fire damper blades to balance airflow. A hex key (by others) is required for adjustment.



Model PAS-FR

Duct Size D (Round/Square)	Optional Extended Neck Height (Round/Square)
6" Dia. / 6 x 6	8 ³ / ₄ " / 8 ¹ / ₄ "
8" Dia. / 8 x 8	8 ³ / ₄ " / 8 ¹ / ₄ "
10" Dia. / 10 x 10	8 ³ / ₄ " / 8 ¹ / ₄ "
12" Dia. / 12 x 12	10 ³ / ₄ " / 10 ¹ / ₄ "
14" Dia.	10 ³ / ₄ "
16" Dia.	13 ³ / ₄ "

Model PAR-FR

Duct Size D	Extended Neck Height
10 x 10	7 ¹ / ₂ "
22 x 10	12 ¹ / ₂ "
22 x 22	12 ¹ / ₂ "