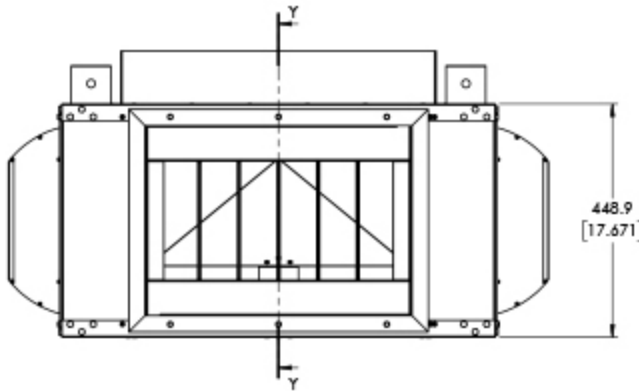
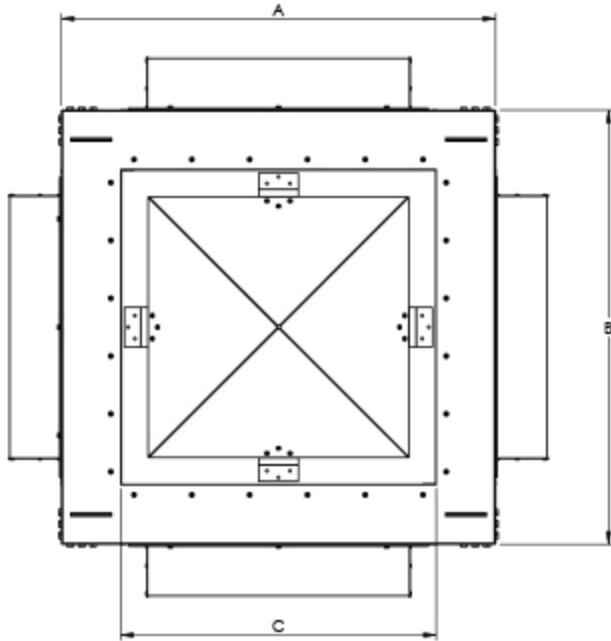


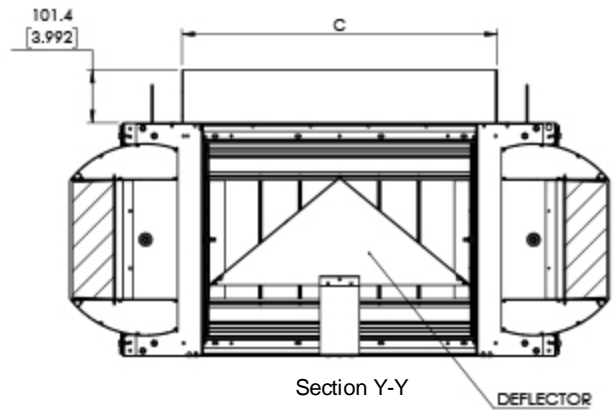
## Ventilation Module • High Capacity Supply Multiple Drum Louver Outlets

Model: TVM-4 • 4 Outlet • 4,000 to 7,500 CFM

TVM-4 Outlet



	Capacity (CFM)	A (Inches)	B (Inches)	C (Inches)	Outlet Size (Inches)
<input type="checkbox"/>	4,000	32 7/8	32 7/8	23 7/8	21 x 15
<input type="checkbox"/>	5,000	32 7/8	32 7/8	23 7/8	21 x 15
<input type="checkbox"/>	7,500	36 7/8	36 7/8	27 7/8	21 x 15



Optional Internal Insulation

### General Description

Standard Finishes:  White  Black  Off-White

- Plenum is constructed of steel
- Drum louver outlets are extruded aluminum
- Internal deflector provides balanced output
- Drum louvers are vertically and horizontally adjustable
- Integral hanger brackets
- Non-standard colors are available

This submittal is meant to demonstrate general dimensions of this product. The drawings are not meant to detail every aspect of the product. Drawings are not to scale.

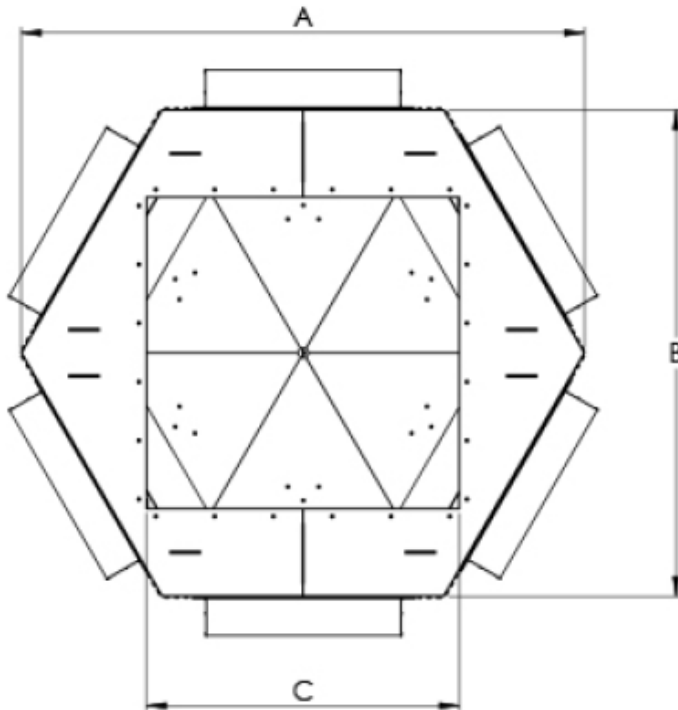
Titus reserves the right to make changes without written notice.

All rights reserved. No part of this work may be reproduced or transmitted in any form or by any means, electronic or mechanical, including photocopying and recording, or by any information storage retrieval system without permission in writing from Air Distribution Technologies.

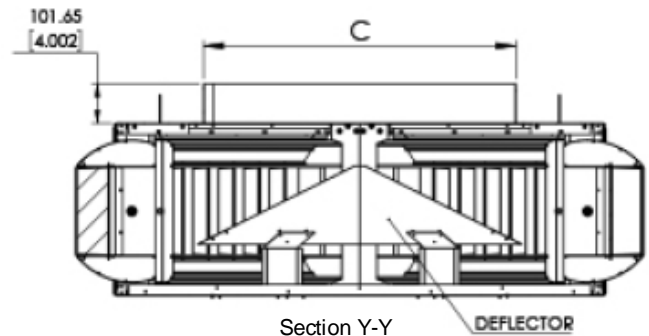
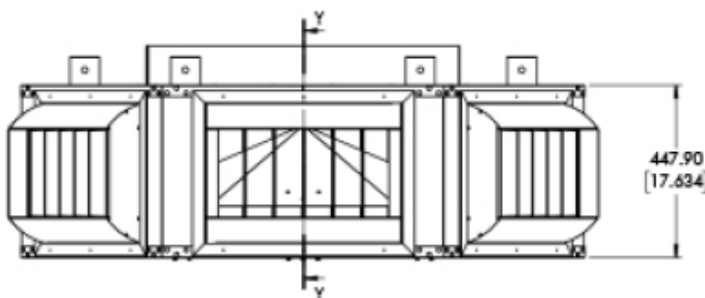
## Ventilation Module • High Capacity Supply Multiple Drum Louver Outlets

Model: TVM-6 • 6 Outlet • 10,000 to 25,500 CFM

□ TVM-6 Outlet



	Capacity (CFM)	A (Inches)	B (Inches)	C (Inches)	Outlet Size (Inches)
□	10,000	57 1/2	49 3/4	31 7/8	21 x 15
□	12,500	59 1/2	51 4/7	35 7/8	24 x 15
□	15,000	75 1/2	65 1/4	37 7/8	30 x 15
□	17,500	75 1/2	65 1/4	39 7/8	30 x 15
□	20,000	87 1/2	75 3/4	39 7/8	36 x 15
□	22,500	99 4/9	86 1/4	41 7/8	42 x 15
□	25,000	99 4/9	86 1/4	43 7/8	42 x 15



### General Description

Standard Finishes: □ White □ Black □ Off-White

- Plenum is constructed of steel
- Drum louver outlets are extruded aluminum
- Internal deflector provides balanced output
- Drum louvers are vertically and horizontally adjustable
- Integral hanger brackets
- Non-standard colors are available

This submittal is meant to demonstrate general dimensions of this product. The drawings are not meant to detail every aspect of the product. Drawings are not to scale.

Titus reserves the right to make changes without written notice.

All rights reserved. No part of this work may be reproduced or transmitted in any form or by any means, electronic or mechanical, including photocopying and recording, or by any information storage retrieval system without permission in writing from Air Distribution Technologies.