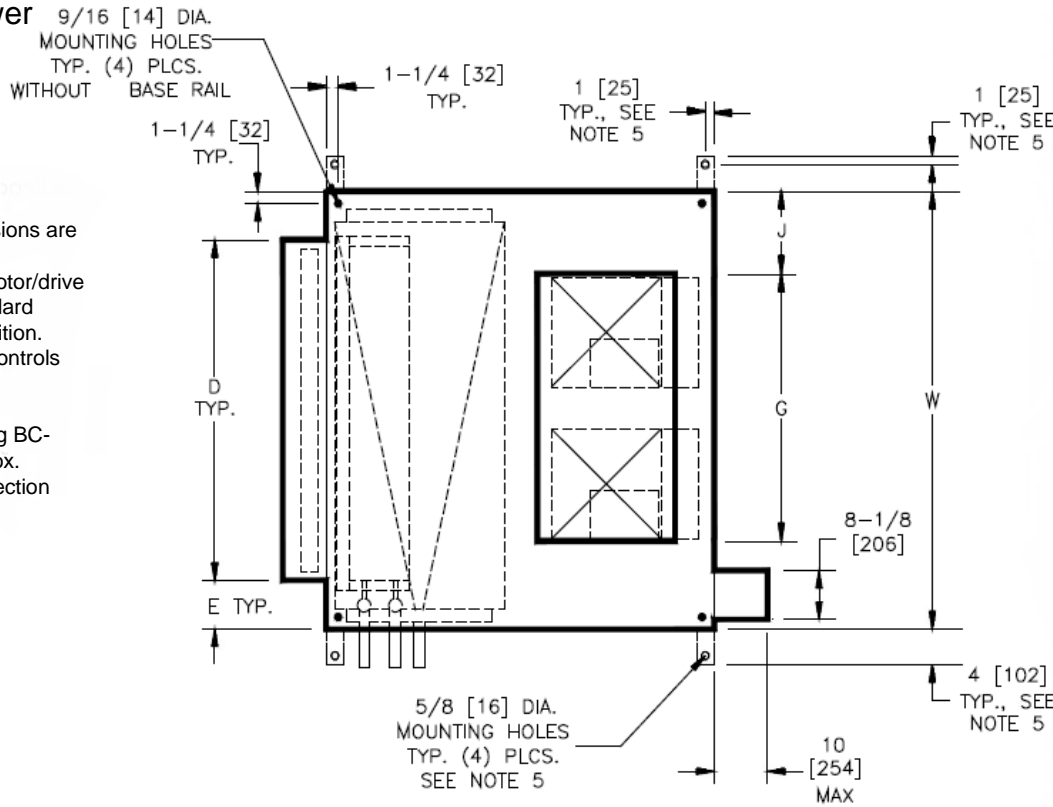
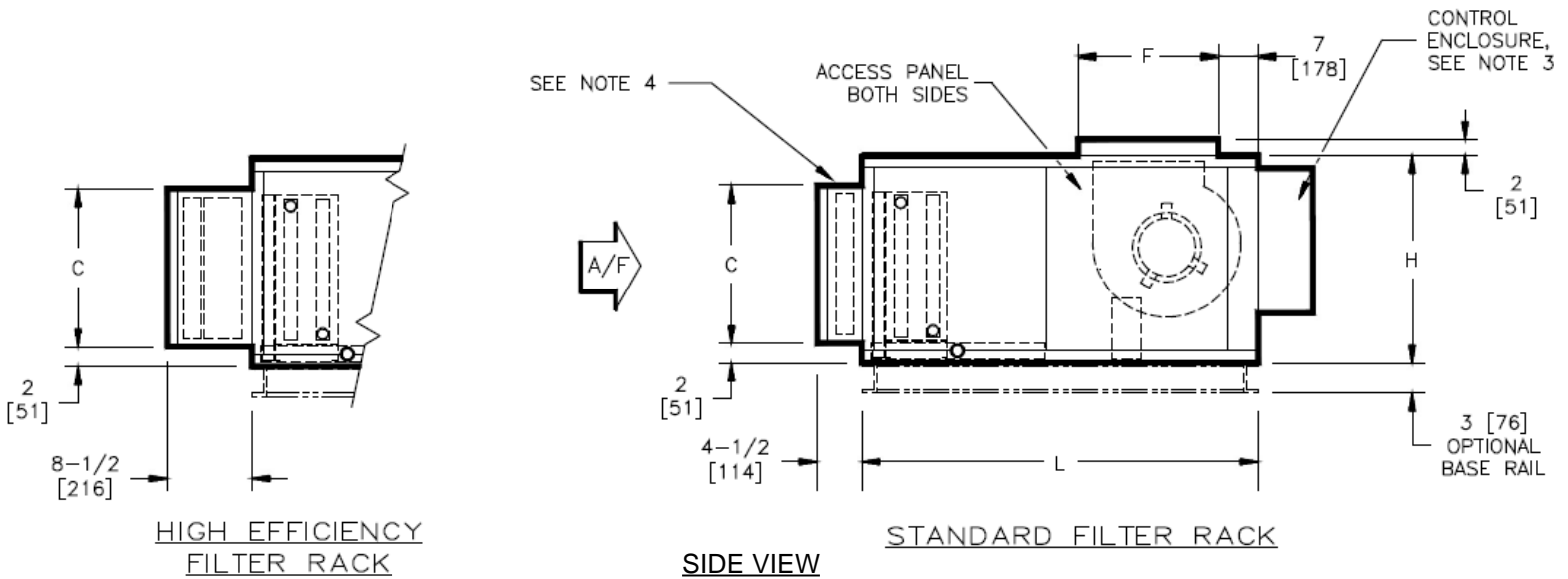


## TBHD Dual Blower Arr. 1

Model TBHD Direct Drive Dual Blower  
Coil Unit Discharge ARGT. 1



TOP VIEW



SIDE VIEW

STANDARD FILTER RACK

HIGH EFFICIENCY  
FILTER RACK

### DIMENSIONS

SIZE	FAN SIZE	L	W	H	C	D	E	F	G	J
30	10 X 8 [254 X 203]	46 [1168]	59 [1499]	30 [762]	25 [635]	51 [1295]	4 [102]	18 [457]	36-1/2 [927]	11-1/4 [286]
40	10 X 8 [254 X 203]	46 [1168]	68 [1727]	30 [762]	25 [635]	59 [1499]	4-1/2 [114]	18 [457]	36-1/2 [927]	15-3/4 [400]

New	08/04/22	SP	New Release
Revision Date	Version Date	Initiated By	Description