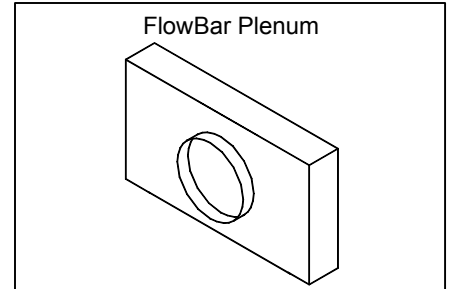
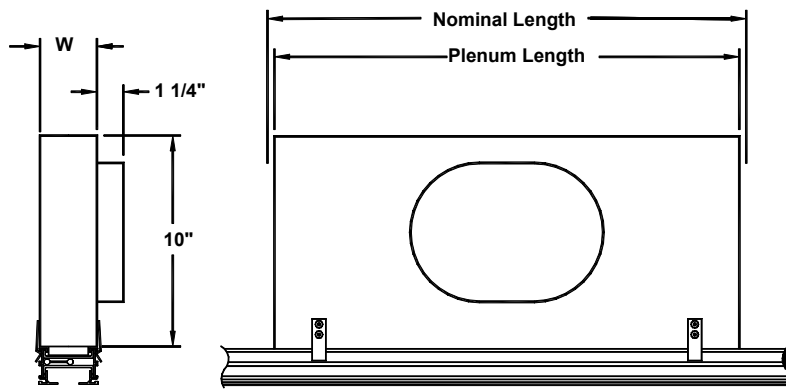


- | | |
|--|---|
| <input type="checkbox"/> FBP-10 • 1" Slot | <input type="checkbox"/> FBPI-10 • 1" Slot • Insulated |
| <input type="checkbox"/> FBP-15 • 1 ½" Slot | <input type="checkbox"/> FBPI-15 • 1 ½" Slot • Insulated |
| <input type="checkbox"/> FBP-20 • 2" Slot | <input type="checkbox"/> FBPI-20 • 2" Slot • Insulated |
| <input type="checkbox"/> FBP-25 • 2 ½" Slot | <input type="checkbox"/> FBPI-25 • 2 ½" Slot • Insulated |
| <input type="checkbox"/> FBP-30 • 3" Slot | <input type="checkbox"/> FBPI-30 • 3" Slot • Insulated |



FlowBar™ Architectural Ceiling Diffusers
Accessories • FlowBar Plenums

FBP and FBPI for FlowBar. For use with all border types, except Border Type 77.



Dimensions are in inches.

Plenum Model	Width (W) No. of Slots			Nominal Length	Available Inlets	Actual Plenum Length
	1	2CRN	2CRA/2CRB		Oval	
FBP(I)-10	2 ¾	6 1/8	5 ¼	24, 36, 48, 60	6, 8, 10, 12	21 ¾, 33 ¾, 45 ¾, 57 ¾
FBP(I)-15	3 ¾	8 1/8	7 ¼	24, 36, 48, 60	6, 8, 10, 12	21 ¾, 33 ¾, 45 ¾, 57 ¾
FBP(I)-20	4 ¾	10 1/8	9 ¼	24, 36, 48, 60	6, 8, 10, 12	21 ¾, 33 ¾, 45 ¾, 57 ¾
FBP(I)-25	5 ¾	12 1/8	11 ¼	24, 36, 48, 60	6, 8, 10, 12	21 ¾, 33 ¾, 45 ¾, 57 ¾
FBP(I)-30	6 ¾	14 1/8	13 ¼	24, 36, 48, 60	6, 8, 10, 12	21 ¾, 33 ¾, 45 ¾, 57 ¾

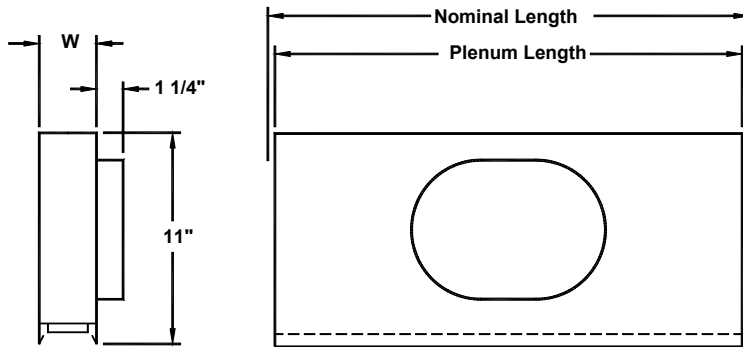
Dimensions are in inches.

*Bolt-Slot plenums on FlowTee are 21 3/8" and 45 3/8" long for 2' and 4' floor units respectively.

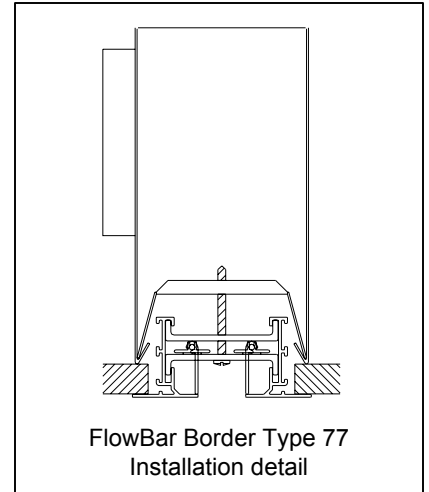
Standard Inlet Size	Dimensions	
	Width	Height
6 Oval	6 ¼	5 ¼
8 Oval	9 3/8	5 ¼
10 Oval	12 ½	5 ¼
12 Oval	14 1/8	7 7/8

FlowBar™ Plenums • Border Type 77

FBP and FBPI for FlowBar. For use with Border Type 77 only.



Dimensions are in inches.



FlowBar Border Type 77
Installation detail

Plenum Model	Width (W) No. of Slots			Nominal Length	Available Inlets	Actual Plenum Length
	1	2CRN	2CRA/2CRB		Oval	
FBP(I)-10	3 ¾	7 1/16	6 3/16	24, 36, 48, 60	6, 8, 10, 12	24, 36, 48, 60
FBP(I)-15	4 ¾	9 1/16	8 3/16	24, 36, 48, 60	6, 8, 10, 12	24, 36, 48, 60
FBP(I)-20	5 ¾	11 1/16	10 3/16	24, 36, 48, 60	6, 8, 10, 12	24, 36, 48, 60
FBP(I)-25	6 ¾	13 1/16	12 3/16	24, 36, 48, 60	6, 8, 10, 12	24, 36, 48, 60
FBP(I)-30	7 ¾	15 1/16	14 3/16	24, 36, 48, 60	6, 8, 10, 12	24, 36, 48, 60

Dimensions are in inches.

Standard Inlet Size	Dimensions	
	Width	Height
6 Oval	6 ¼	5 ¼
8 Oval	9 3/8	5 ¼
10 Oval	12 ½	5 ¼
12 Oval	14 1/8	7 7/8

Accessories (Optional) Check if provided.

Face Operated Inlet Damper

General Description

- Construction is galvanized steel.



Note: This submittal is meant to demonstrate general dimensions of this product. The drawings on this submittal are not meant to detail every aspect of the product with exactness. Drawings are not to scale. TITUS reserves the right to make changes without written notice.

605 Shiloh Road • Plano, Texas 75074 • 972-212-4800