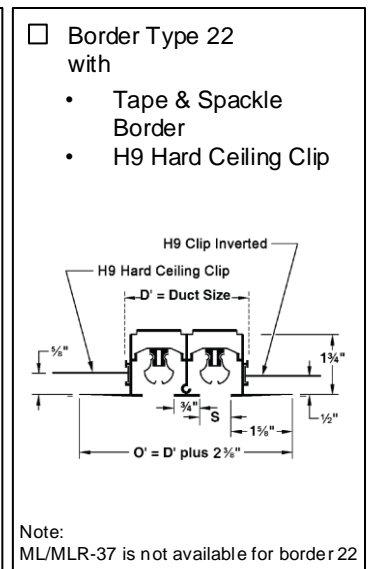
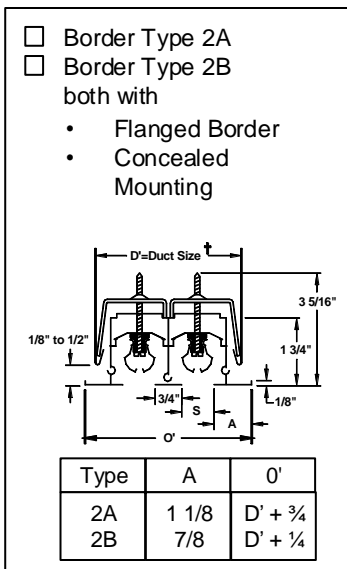
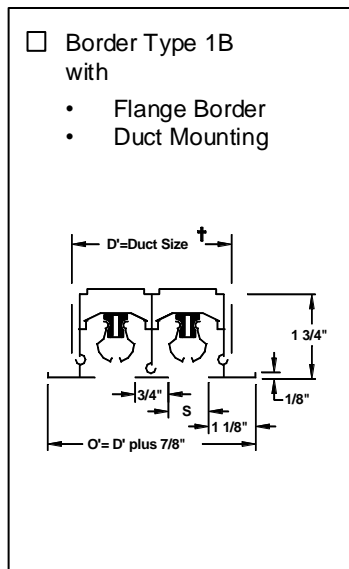
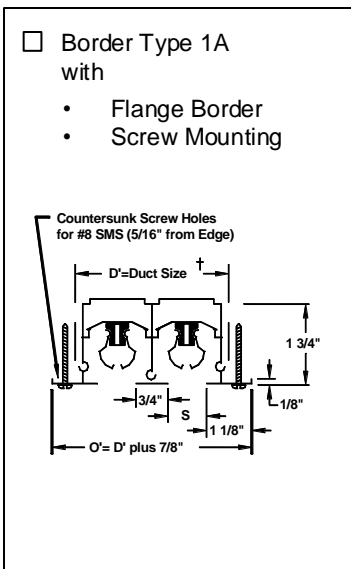
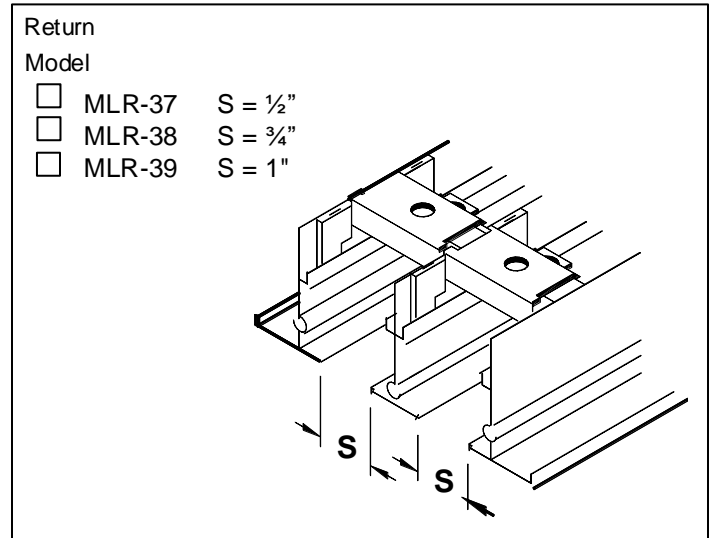
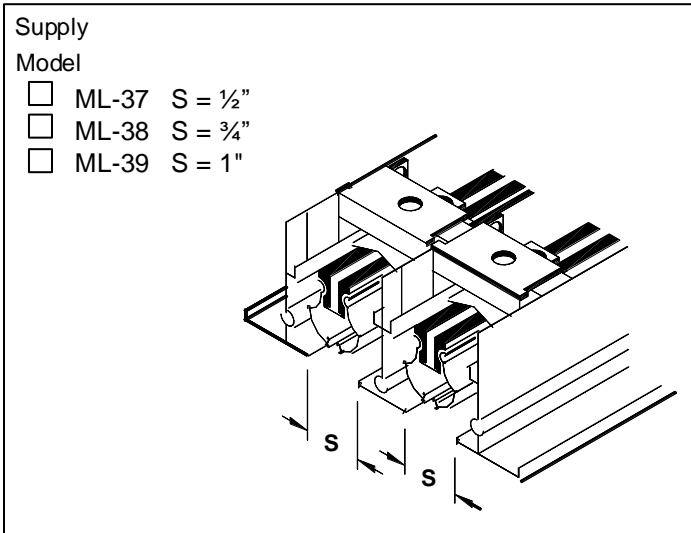


Linear Slot Ceiling Diffusers Aluminum • Modulinear

Models: ML-37 • 1/2" Slot • Supply
 ML-38 • 3/4" Slot • Supply
 ML-39 • 1" Slot • Supply

MLR-37 • 1/2" Slot • Return
 MLR-38 • 3/4" Slot • Return
 MLR-39 • 1" Slot • Return



Dimensions are in inches.

Frame & Border Types, Dimensions (cont'd) Check if provided.

Frame and Border Type 3 with

- Flush Border
- Concealed Mounting

Frame & Border Type 4 with

- Flange Border
- Concealed Mounting

Frame & Border Type 6 with

- Plaster & Tile Mounting Frame
- Flush Border
- Concealed Mounting

Frame & Border Type 7A
 Frame & Border Type 7B both with

- Plaster & Tile Mounting Frame
- Flange Border
- Concealed Mounting

Type	A	O'
7A	1 1/8"	D' + 3/4"
7B	7/8"	D' + 1/4"

Border Type 9A
 Border Type 9B both with

- Flange Border
- Ceiling Hangers

Type	A	O'
9A	3/4"	D' + 5/8"
9B	1 1/8"	D' + 1 3/8"

Border Type 11 with

- Perimeter Plaster & Tile Mounting Frame
- Flush Border
- Concealed Mounting

Border Type 12 with

- Spline Border
- Ceiling Hangers

Border Type 15 with

- Flush Border
- Ceiling Hangers

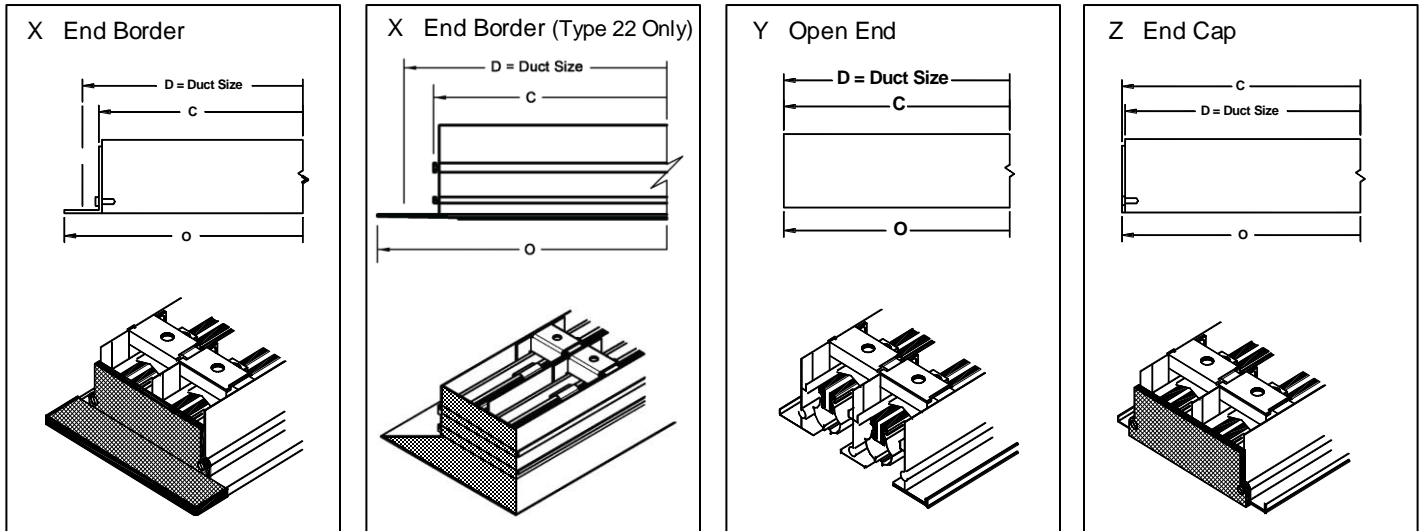
Border Type 16

- Curved Flange Border
- Concealed Mounting
- Equalizing Grid

Standard selections: **ML-38 only**
 1 slot: duct diameters 10, 12, 14, 16, 18, 20, 22, 24"
 2 slot: duct diameters 12, 14, 16, 18, 20, 22, 24"
 3 slot: duct diameters 14, 16, 18, 20, 22, 24, 26, 28, 30, 32"
 4 slot: duct diameters 20, 22, 24, 26, 28, 30"

Standard selections: **ML-39 only**
 1 slot: duct diameters 10, 12, 14, 16, 18, 20, 22, 24"
 2 slot: duct diameters 12, 14, 16, 18, 20, 22, 24"
 3 slot: duct diameters 16, 18, 20, 22, 24, 26, 28, 30, 32"
 4 slot: duct diameters 26, 28, 30, 32, 34, 36, 38, 40, 42, 44, 46, 48"

End Fabrication



Overall Length for Various End Fabrications

Frame and/or Border Type	X X		X Y		X Z		Y Y		Y Z		Z Z	
	X-X		X-Y		X-Z		Y-Y		Y-Z		Z-Z	
	C	O	C	O	C	O	C	O	C	O	C	O
1A, 1B, 9B	D - 1 3/8	D + 3/4	D - 11/16	D + 3/8	D - 5/8	D + 7/16	D	D	D + 1/16	D + 1/16	D + 1/8	D + 1/8
2A, 4, 7A, 16	D - 1 3/8	D + 3/4	D - 11/16	D + 3/8	D - 5/8	D + 7/16	D	D	D + 1/16	D + 1/16	D + 1/8	D + 1/8
3, 6, 11	D - 1 3/8	D	D - 11/16	D	D - 5/8	D + 1/16	D	D	D + 1/16	D + 1/16	D + 1/8	D + 1/8
2B, 7B	D - 1 3/8	D + 1/4	D - 11/16	D + 1/8	D - 5/8	D + 3/16	D	D	D + 1/16	D + 1/16	D + 1/8	D + 1/8
9A	D - 1 3/8	D	D - 11/16	D	D - 5/8	D + 1/16	D	D	D + 1/16	D + 1/16	D + 1/8	D + 1/8
12, 15	D - 11/16	D	D - 5/16	D	D - 1/4	D + 1/16	D	D	D + 1/16	D + 1/16	D + 1/8	D + 1/8
22	D - 1 3/16	D + 1 1/16	D - 19/32	D + 17/32	N/A	N/A	D	D	N/A	N/A	N/A	N/A

Duct Dimensions D' (Width) for Various Frame & Border Types

No. of Slots	Types 1A, 1B			Types 2A, 2B, 4, 7A, 7B, 16		
	ML/MLR 37	ML/MLR 38	ML/MLR 39	ML/MLR 37	ML/MLR 38	ML/MLR 39
	S = 1/2	S = 3/4	S = 1	S = 1/2	S = 3/4	S = 1
1	1 7/8	2 1/8	2 3/8	2	2 1/4	2 1/2
2	3 1/8	3 5/8	4 1/8	3 1/4	3 3/4	4 1/4
3	4 3/8	5 1/8	5 7/8	4 1/2	5 1/4	6
4	5 5/8	6 5/8	7 5/8	5 3/4	6 3/4	7 3/4
5	6 7/8	8 1/8	9 3/8	7	8 1/4	9 1/2
6	8 1/8	9 5/8	11 1/8	8 1/4	9 3/4	11 1/4
7	9 3/8	11 1/8	12 7/8	9 1/2	11 1/4	13
8	10 5/8	12 5/8	14 5/8	10 3/4	12 3/4	14 3/4

No. of Slots	Types 3, 6, 11			Types 9A, 9B, 12, 15, 22		
	ML/MLR 37	ML/MLR 38	ML/MLR 39	ML/MLR 37	ML/MLR 38	ML/MLR 39
	S = 1/2	S = 3/4	S = 1	S = 1/2	S = 3/4	S = 1
1	2 1/8	2 3/8	2 5/8	1 3/8	1 5/8	1 7/8
2	3 3/8	3 7/8	4 3/8	2 5/8	3 1/8	3 5/8
3	4 5/8	5 3/8	6 1/8	3 7/8	4 5/8	5 3/8
4	5 7/8	6 7/8	7 7/8	5 1/8	6 1/8	7 1/8
5	7 1/8	8 3/8	9 5/8	6 3/8	7 5/8	8 7/8
6	8 3/8	9 7/8	11 3/8	7 5/8	9 1/8	10 5/8
7	9 5/8	11 3/8	13 1/8	8 7/8	10 5/8	12 3/8
8	10 7/8	12 7/8	14 7/8	10 1/8	12 1/8	14 1/8

= Not Available in Type 22

Accessories (optional)

Check if provided.

Optional Field Cut Diffuser (Unit includes one field spacer kit)

<input type="checkbox"/> MLF-37 • 1/2" Slot	• Supply	<input type="checkbox"/> MLRF-37 • 1/2" Slot	• Return
<input type="checkbox"/> MLF-38 • 3/4" Slot	• Supply	<input type="checkbox"/> MLRF-38 • 3/4" Slot	• Return
<input type="checkbox"/> MLF-39 • 1" Slot	• Supply	<input type="checkbox"/> MLRF-39 • 1" Slot	• Return

Ideal when the exact length of an ML or MLR diffuser is not known until it is being installed.

Standard factory cut diffusers can be trimmed as much as 6 inches. If more than 6" is to be removed, use the optional field cut diffuser.

The field cut ML or MLR diffuser is 72" long, with the sides pre-punched to assure the proper alignment of field installed spacers.

These field installed spacers provide additional rigidity during and after cutting. Additional spacer kits available at extra cost.

Optional Mitered Corner

<input type="checkbox"/> MC-37 • 1/2" Slot	• Supply	<input type="checkbox"/> 90 Degree (minimum)
<input type="checkbox"/> MC-38 • 3/4" Slot	• Supply	<input type="checkbox"/> Larger than 90 Degree. Specify _____
<input type="checkbox"/> MC-39 • 1" Slot	• Supply	

Dimensions for 90 Degree Mitered Corners

No. of Slots	1A, 1B		2A, 4, 7A		2B, 7B		3, 6, 11		9A		9B		12, 15		22	
	O	D	O	D	O	D	O	D	O	D	O	D	O	D	O	D
1, 2	12 7/16	12	12 3/8	12	12 1/8	12	11 7/8	12	12 5/16	12	12 11/16	12	12	12	13 3/16	12
3-8	24 7/16	24	24 3/8	24	24 1/8	24	23 7/8	24	24 5/16	24	24 11/16	24	24	24	25 3/16	24

All dimensions are in inches.

Optional Plenum

<input type="checkbox"/> MP-37 • 1/2" Slot • Uninsulated	<input type="checkbox"/> MPI-37 • 1/2" Slot • Insulated
<input type="checkbox"/> MP-38 • 3/4" Slot • Uninsulated	<input type="checkbox"/> MPI-38 • 3/4" Slot • Insulated
<input type="checkbox"/> MP-39 • 1" Slot • Uninsulated	<input type="checkbox"/> MPI-39 • 1" Slot • Insulated

Note: endcaps are not insulated

Note:

- MP and MPI are available for all frames and border types.
- Standard nominal lengths are 2, 3, 4 and 5 feet.
- Request Submittal D-MP for details.
- Option MP-SP available with maximum spread pattern.

Optional Blank-Offs BLKS - Cold Rolled Steel - Fits over Neck BLKV - Vinyl - Fits in Slot

Standard Finish: • #26 White border • Black pattern controllers.

General Description

- Standard lengths of diffuser sections are 12", 24", 36", 48", 60" and 72".
- Lengths greater than 72" are furnished in multiple sections, the number and size determined by the factory.
- Pattern controllers change direction and volume of air flow. Maximum length is 36". Pattern controllers are furnished in multiple sections for diffuser longer than 36".
- Mounting frames are cut to length and assembled in the field.
- Material is extruded aluminum with steel pattern controllers.

This submittal is meant to demonstrate general dimensions of this product. The drawings are not meant to detail every aspect of the product. Drawings are not to scale. Titus

reserves the right to make changes without written notice.