

Modulinear Plenum Adapters for ML Modulinear Diffusers

Models: MP-37 • 1/2" Slot
 MP-38 • 3/4" Slot
 MP-39 • 1" Slot
 MP-40 • 1 1/2" Slot

MPI-37 • 1/2" Slot • Insulated
MPI-38 • 3/4" Slot • Insulated
MPI-39 • 1" Slot • Insulated
MPI-40 • 1 1/2" Slot • Insulated

Model MP Modulinear Plenum for ML/MLR
Border Type

1A
 1B
 9A
 9B
 12
 15
 22

Standard Inlet Size	Dimensions	
	A	B
6 Oval	6 1/4	5 1/4
8 Oval	9 3/8	5 1/4
10 Oval	12 1/2	5 1/4
12 Oval	14 1/8	7 7/8

ML/MLR Type	Width							
	Number of Slots							
MP-37	1 7/16	2 11/16	3 15/16	5 3/16	6 7/16	7 11/16	8 15/16	10 3/16
MP-38	1 11/16	3 3/16	4 11/16	6 3/16	7 11/16	9 3/16	10 11/16	12 3/16
MP-39	1 15/16	3 11/16	5 7/16	7 3/16	8 15/16	10 11/16	12 7/16	14 3/16
MP-40	2 7/16	4 11/16	6 15/16	9 3/16	N/A	N/A	N/A	N/A

Standard Inlets	Low Profile (LP) Units	High Profile (HP) Units
Nominal Length (N) in feet	Oval (in.)	Oval (in.)
2, 3	6, 8	6, 8
4, 5, 6	6, 8, 10	6, 8, 10, 12

H	LP	HP
(in.)	7 5/8	10 5/8

ML/MLR End Fabrication	L
XX	N-7/8
XY	N-7/8
YY	N-1/4
ZZ	N-1/4

Model MP Modulinear Plenum for ML/MLR
Border Type

2A
 2B

Standard Inlet Size	Dimensions	
	A	B
6 Oval	6 1/4	5 1/4
8 Oval	9 3/8	5 1/4
10 Oval	12 1/2	5 1/4
12 Oval	14 1/8	7 7/8

ML/MLR Type	Width							
	Number of Slots							
MP-37	2 3/16	3 7/16	4 11/16	5 15/16	7 3/16	8 7/16	9 11/16	10 15/16
MP-38	2 7/16	3 15/16	5 7/16	6 15/16	8 7/16	9 15/16	11 7/16	12 15/16
MP-39	2 11/16	4 7/16	6 3/16	7 15/16	9 11/16	11 7/16	13 3/16	14 15/16
MP-40	3 3/16	5 7/16	7 11/16	9 15/16	N/A	N/A	N/A	N/A

Standard Inlets	Low Profile (LP) Units	High Profile (HP) Units
Nominal Length (N) in feet	Units Oval (in.)	Units Oval (in.)
2, 3	6, 8	6, 8
4, 5, 6	6, 8, 10	6, 8, 10, 12

H	LP	HP
(in.)	8	11

ML/MLR End Fabrication	L
XX	N-7/8
XY	N-7/8
YY	N-1/4
ZZ	N-1/4

Dimensions are in inches.

Model MP Modulare Plenum for ML/MLR

Border Type

- 3
- 4
- 6
- 7A
- 7B
- 11

Standard Inlet Size	Dimensions	
	A	B
6 Oval	6 1/4	5 1/4
8 Oval	9 3/8	5 1/4
10 Oval	12 1/2	5 1/4
12 Oval	14 1/8	7 7/8

Optional Internal Insulation (MPI Models)

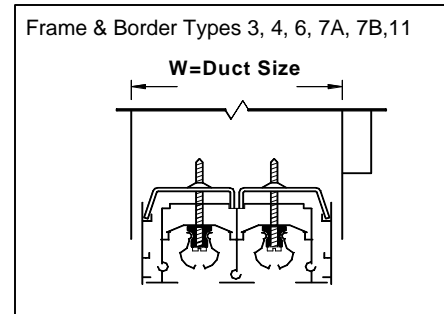
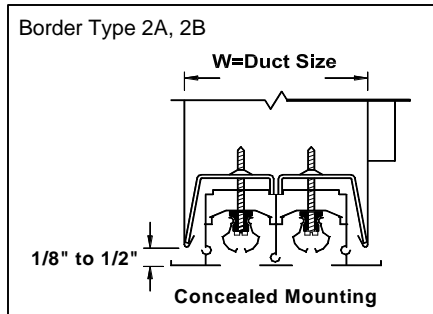
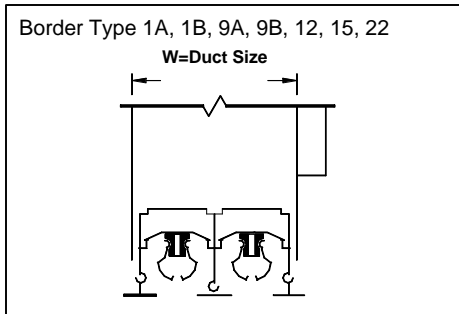
Note: End caps not insulated.

ML/MLR End Fabrication	L
XX	N-1/4
XY	N-1/4
YY	N-1/4
ZZ	N-1/4

Standard Inlets		
Nominal Length (N) in feet	Low Profile (LP) Units Oval (in.)	High Profile (HP) Units Oval (in.)
2, 3	6, 8, 10	6, 8, 10
4, 5, 6	6, 8, 10	6, 8, 10, 12

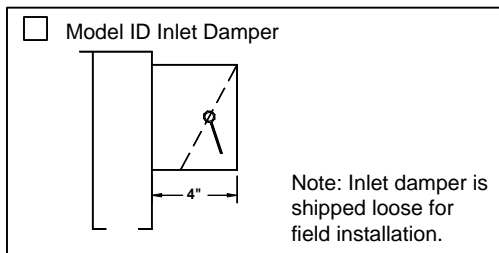
ML/MLR Type	Width							
	Number of Slots							
	1	2	3	4	5	6	7	8
MP-37	2 3/16	3 7/16	4 11/16	5 15/16	7 3/16	8 7/16	9 11/16	10 15/16
MP-38	2 7/16	3 15/16	5 7/16	6 15/16	8 7/16	9 15/16	11 7/16	12 15/16
MP-39	2 11/16	4 7/16	6 3/16	7 15/16	9 11/16	11 7/16	13 3/16	14 15/16
MP-40	3 3/16	5 7/16	7 11/16	9 15/16	N/A	N/A	N/A	N/A

Installation Details



Accessories (optional)

Internal Insulation		
<input type="checkbox"/> MPI-37	• For ML/MLR-37	• 1/2" Slot
<input type="checkbox"/> MPI-38	• For ML/MLR-38	• 3/4" Slot
<input type="checkbox"/> MPI-39	• For ML/MLR-39	• 1" Slot
<input type="checkbox"/> MPI-40	• For ML/MLR-40	• 1 1/2" Slot



General Description

- Model MP modulare plenums are tailored for field attachment to ML or MLR modulare diffusers.
- End caps can be turned up to allow installing the MP on continuous runs of ML diffuser.
- Available to fit ML or MLR 1-8 slot units.
- Material is steel.
- Can be selected to integrate with all ML or MLR frame and border types.
- Available with optional internal insulation, Model MPI.
- Standard lengths are 2', 3', 4', 5' and 6'.
- Model MP can be used as supply or return.

This submittal is meant to demonstrate general dimensions of this product. The drawings are not meant to detail every aspect of the product. Drawings are not to scale. Titus

reserves the right to make changes without written notice.