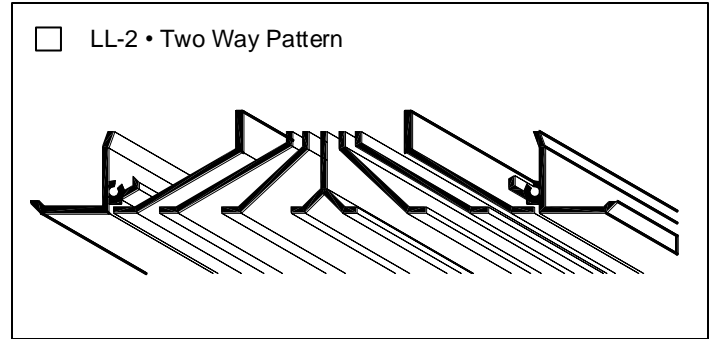
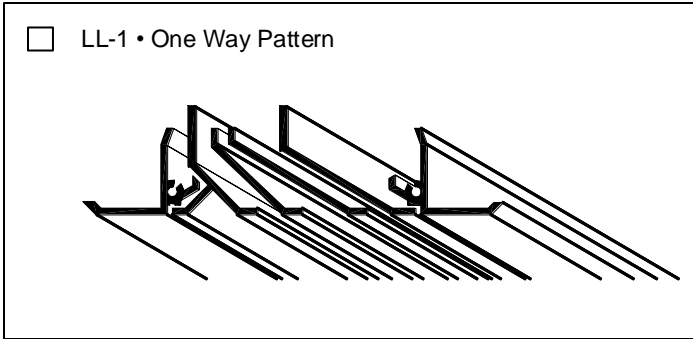
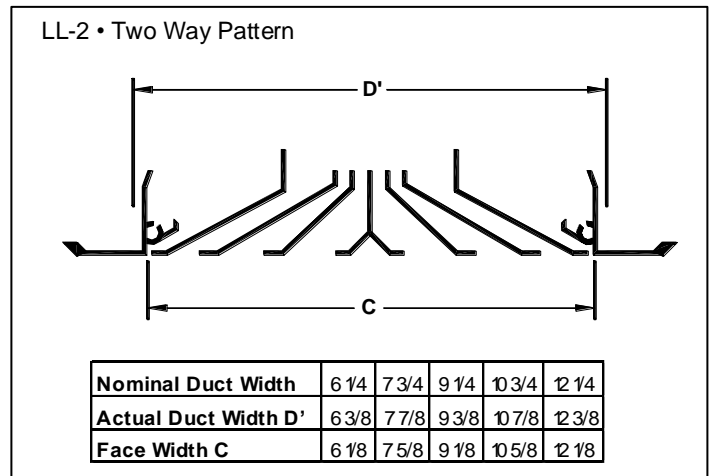
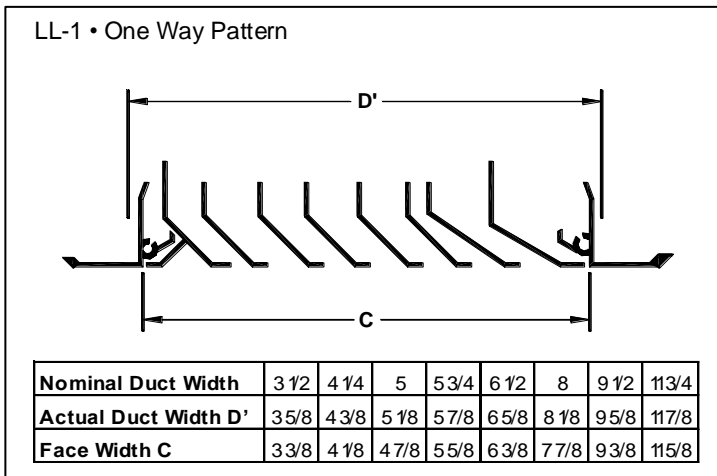


## Linear Louver Diffuser Aluminum • Architectural

Models: LL-1 • One Way Pattern • Fixed Louvers  
LL-2 • Two Way Pattern • Fixed Louvers

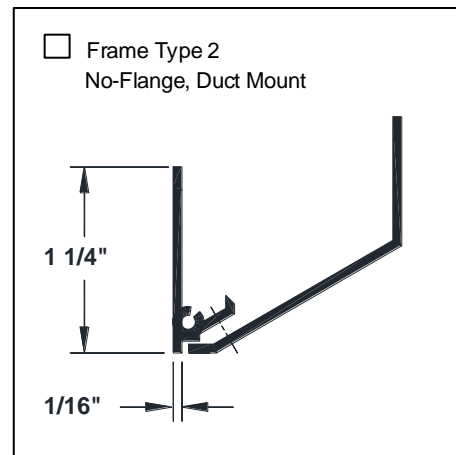
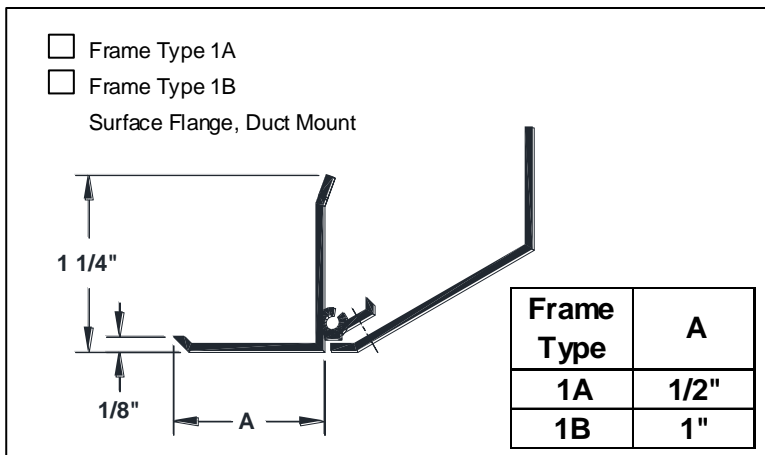


### Available Widths



All dimensions are in inches.

Available Frame Types Check  if provided.



End Fabrication Check  if provided.

X-X End Borders

Frame	O
1A	D+3/4
1B	D+13/4
2	D-1/8

Y-Y End Borders

X-Y End Borders

X-Y

XYA

XYB

Frame	O
1A	D+3/8
1B	D+7/8
2	D-1/16

**Optional Mitered Corners**

Model MC-1 • One Way

Model MC-1 • One Way

D = Duct Size  
O = Overall Length of Each Leg

Frame Type	Corner Types A & B				Corner Types C & D			
	Width		Width		Width		Width	
	3 1/2 - 5 3/4	6 1/2 - 11 3/4	3 1/2 - 5 3/4	6 1/4 - 11 3/4	D	O	D	O
1A	12	12 3/4	24	24 3/8	12	12	24	24
1B	12	12 3/4	24	24 3/4	12	12	24	24
2	12	11 15/16	24	23 15/16	12	12	24	24

Model MC-2 • 2-way

Model MC-2 • 2-way

Frame Type	Corner Types A	
	Width	
	6 1/4 - 12 1/4	D
1A	24	24 3/8
1B	24	24 3/4
2	24	23 15/16

Accessories (Optional) Check  if provided.

Model 07 Directional Blades

Model 07 is integral part of diffuser.

Model AG-35 Opposed Blade Damper

AG-35 will not mount on 07 Directional Blades.

Model LLBLK Blank-Off

For all widths of Model LL diffusers. Furnished in 6 foot lengths for field cutting and installation. Steel, painted flat black.

Standard Finish: #26 White

**General Description**

- Model LL-1 and LL-2 architectural linear louvers are designed for both supply and return applications.
- Excellent performance in variable air volume applications. Ceiling mounted diffusers maintain a uniform, horizontal discharge pattern over widely varying flow rates.
- Standard lengths are 1, 2, 3, 4, 5 and 6 feet.
- Lengths greater than 6 feet are furnished in multiple sections, the number and size determined by the factory.
- Material is extruded aluminum.

This submittal is meant to demonstrate general dimensions of this product. The drawings are not meant to detail every aspect of the product. Drawings are not to scale. Titus reserves the right to make changes without written notice.