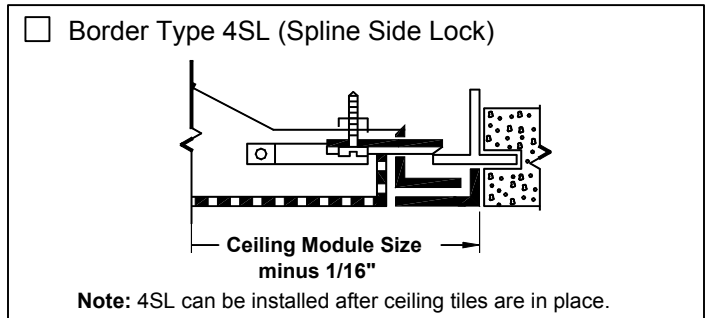
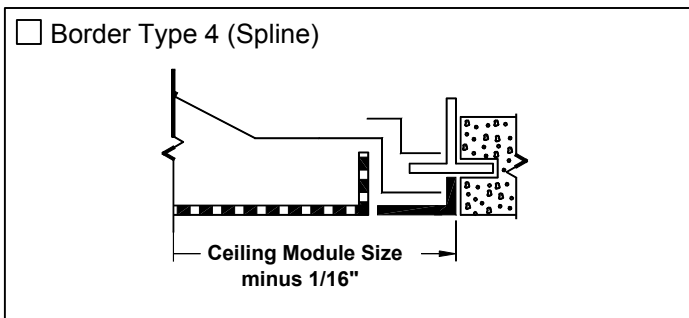
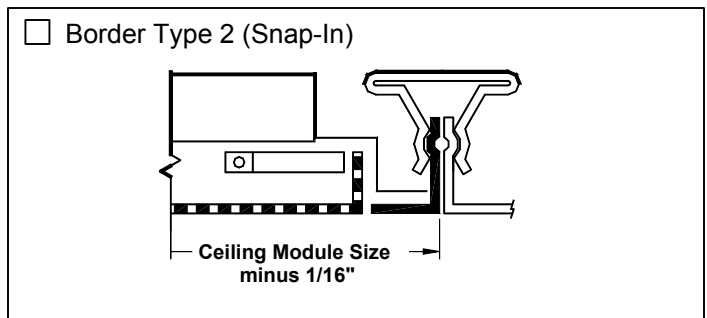
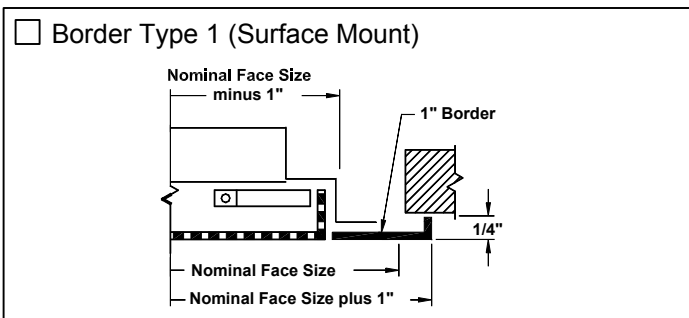
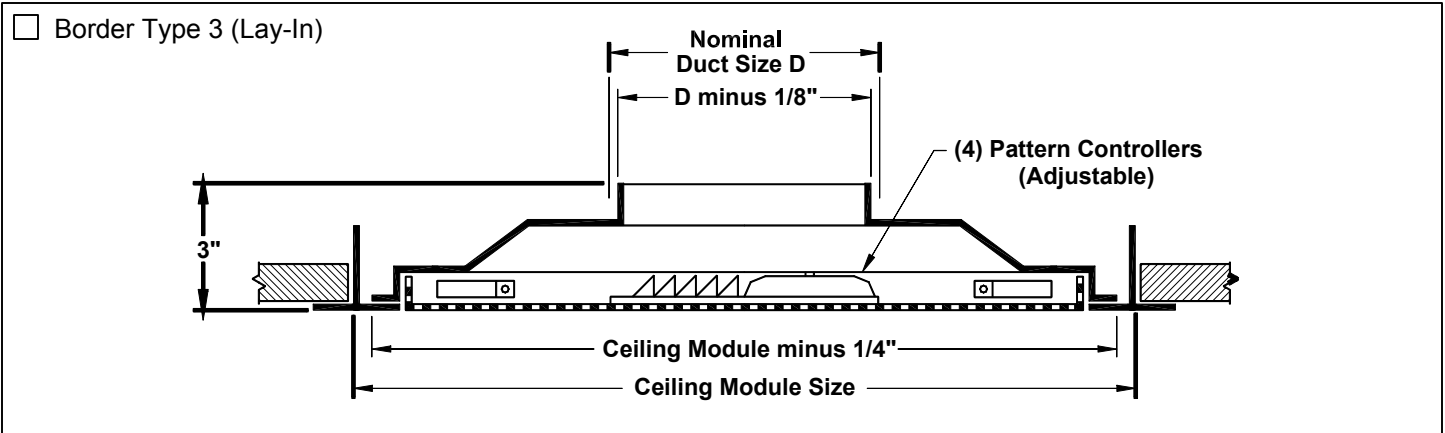


**PAS • Supply • 1, 2, 3, or 4 Way Adjustable Discharge Pattern**

Perforated Ceiling Diffusers  
Steel • Flush Face



Available Sizes for Border Types 1, 2, 3, 4, 4SL													
Face or Ceiling Module Size	Nominal Duct Size D												
	6 x 6	8 x 8	10 x 10	12 x 12	15 x 15	18 x 18	18 x 6	6" Dia.	8" Dia.	10" Dia.	12" Dia.	14" Dia.	16" Dia.
12 x 12	•							•					
24 x 12	•						•	•					
16 x 16	•	•						•	•	•			
20 x 20	•	•	•					•	•	•	•	•	
24 x 24	•	•	•	•	•	•		•	•	•	•	•	•
48 x 24	•	•	•	•				•	•	•	•	•	•

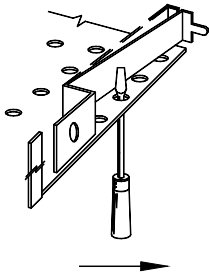
• Indicates available combination

All dimensions are in inches.

### Removing Perforated Face

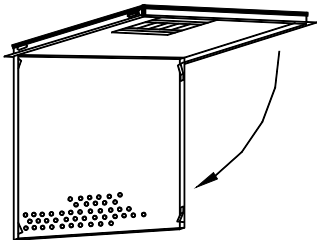
1. Insert small Screwdriver or other slim instrument to push latch inward from border.

2. Repeat on opposite side.



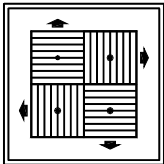
3. Face will now swing down with 2 remaining latches acting as hinges.

For complete removal, release 2 remaining latches at left.

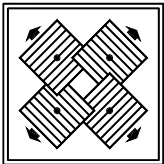


### Adjusting Pattern Controllers

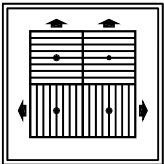
4-Way



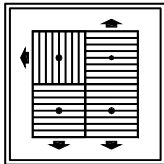
4-Way Corner



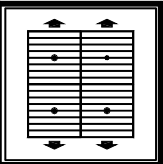
3-Way



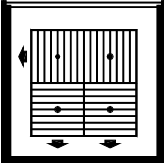
3-Way



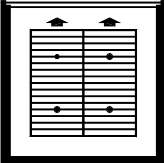
2-Way



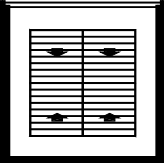
2-Way Corner



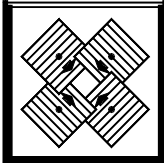
1-Way



Vertical



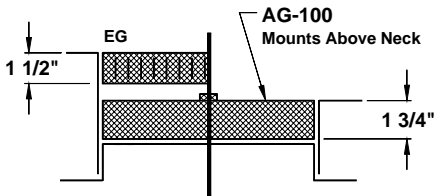
Vertical



### Accessories (Optional) for Round Neck

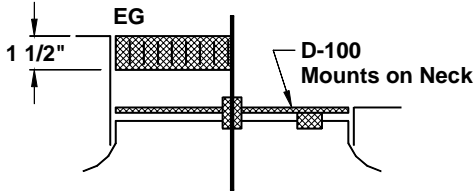
Check  if provided.

- Model AG-100 Radial Sliding Blade Damper
- Model EG Equalizing Grid



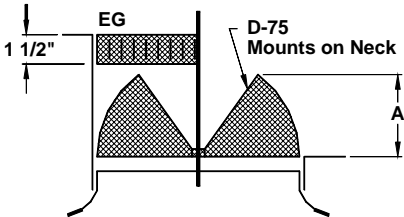
Model AG-100 damper is available in duct sizes 6 thru 14 inches only.

- Model D-100 Radial Sliding Blade Damper
- Model EG Equalizing Grid



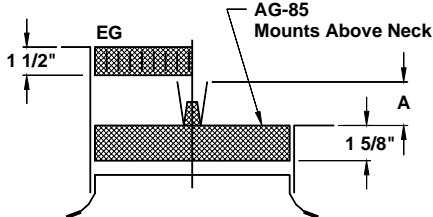
Model D-100 damper is available in duct sizes 6 thru 14 inches only.

- Model D-75 Opposed Blade Damper
- Model EG Equalizing Grid



Model D-75 damper is available in duct sizes 6 thru 12 inches only.

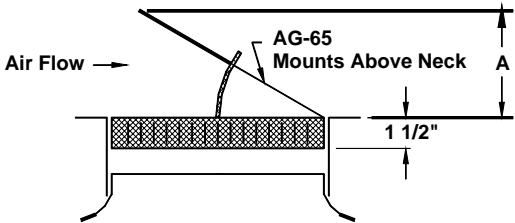
- Model AG-85 Butterfly Damper
- Model EG Equalizing Grid



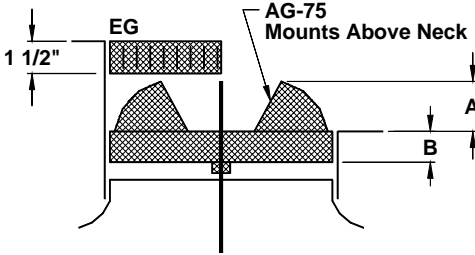
**Accessories (Optional) for Round Neck**

Check  if provided.

- Model AG-65 Combination Damper and Equalizing Grid



- Model AG-75 Opposed Blade Damper
- Model EG Equalizing Grid



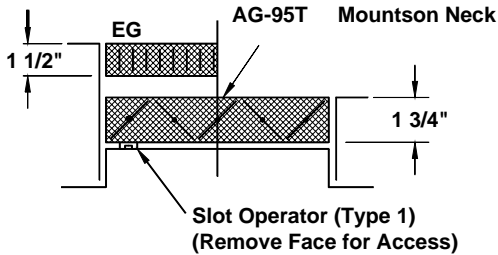
Note: Model AG-100 and D-100 dampers have radial blades that slide in a horizontal plane. For that reason, no opening clearance "A" is dimensioned.

Accessories	Nominal Round Duct Sizes					
	6	8	10	12	14	16
AG-100	—	—	—	—	—	N/A
D-100	—	—	—	—	—	N/A
D-75	2 3/8	3 1/4	4 1/8	4 7/8	N/A	N/A
AG-85	2 1/2	3 1/2	4 1/2	5 1/2	6 1/2	7 1/2
AG-65	3 3/8	4 1/2	5 1/2	7 1/8	8 5/8	9 7/8
AG-75	4 1/4	5 1/8	6	6 7/8	2 3/4	3 1/2

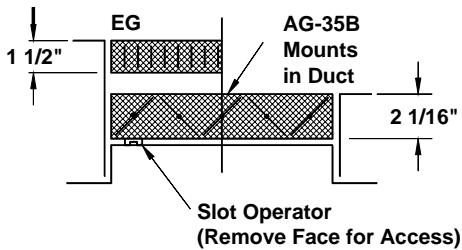
**Accessories (Optional) for Rectangular Neck**

Check  if provided.

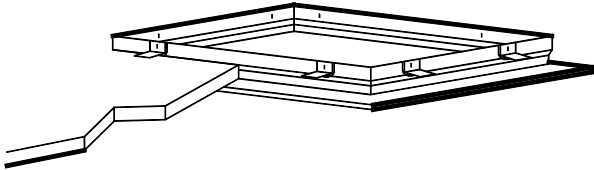
- Model AG-95 Opposed Blade Damper
- Model EG Equalizing Grid



- Model AG-35B Opposed Blade Damper
- Model EG Equalizing Grid



- TRM TITUS Rapid Mount Frame



For Surface Mounting Border Type 3

**Accessories (Optional) for Rectangular and Round Neck**

Check  if provided.

- IB Molded Insulation Blanket



Insulation is R-6 where blanket has the most depth. One-inch clearance on each side of neck is left for insulated duct connection. 24 x 24-inch module size only. Blanket is factory installed.

## Standard Finish: #26 White

### General Description

---

- Excellent performance in variable air volume systems.
- A tight, uniform horizontal blanket of air protects the ceiling against smudging.
- Discharge pattern can be adjusted to vertical as well as to 1, 2, 3 or 4 way horizontal. Can be adjusted before or after installation.
- Discharge pattern is adjusted by dropping the perforated face (see Page 2) and rotating the pattern controllers.
- Dropping the perforated face also gives access for adjusting the optional dampers.
- Perforated face has 3/16" diameter holes on 1/4" staggered centers.
- Inlet collar is approximately 1½" deep to allow easy duct connection.
- Material is heavy gauge steel.

This submittal is meant to demonstrate general dimensions of this product. The drawings are not meant to detail every aspect of the product. Drawings are not to scale. Titus

reserves the right to make changes without written notice.



605 Shiloh Road • Plano, Texas 75074 • 972-212-4800

All rights reserved. No part of this work may be reproduced or transmitted in any form or by any means, electronic or mechanical, including photocopying and recording, or by any information storage retrieval system without permission in writing from Air Distribution Technologies