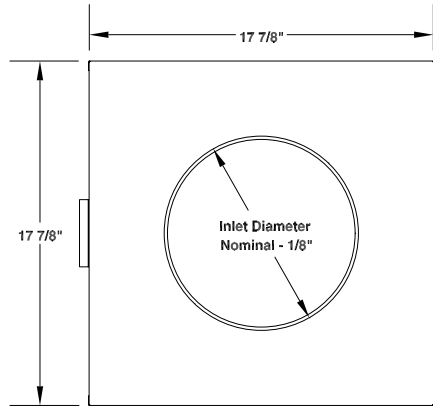
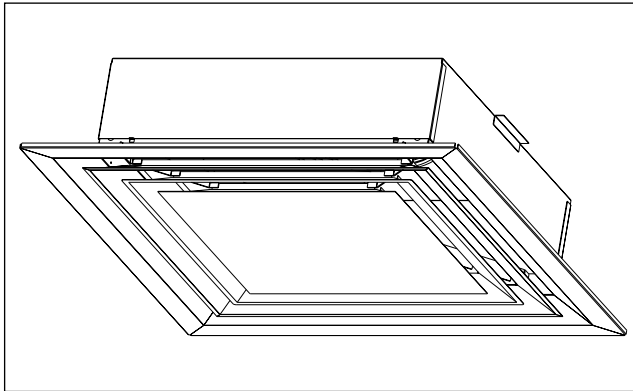
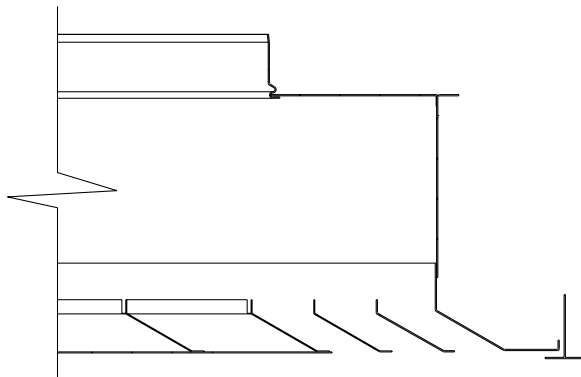


Plaque Face Ceiling Diffusers Steel • Louvered • Plaque Face

Model: DAT • 24 x 24 • Round Neck



Border Type 3 (Lay-In)



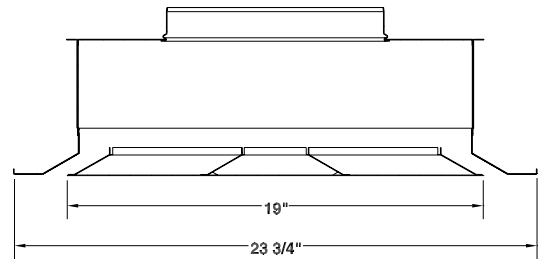
Inlet Size Check selection

- 6" Nominal Diameter
- 8" Nominal Diameter
- 10" Nominal Diameter
- 12" Nominal Diameter
- 14" Nominal Diameter

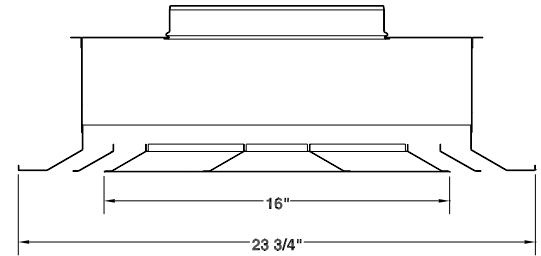
All dimensions are in inches.

Number of Slots Check selection

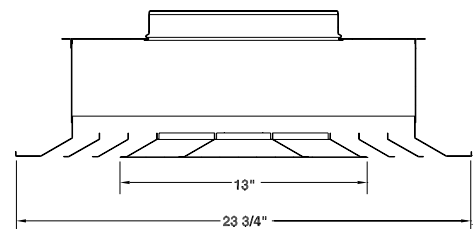
1 Slot



2 Slot



3 Slot



Standard Finish: #26 White

General Description

- TITUS DAT diffuser is designed to be architecturally pleasing while providing superior performance.

- The DAT maintains an unbroken horizontal flow pattern from maximum cfm down to minimum.

- Core is removable from the face of the diffuser.
- Material is heavy gauge steel.