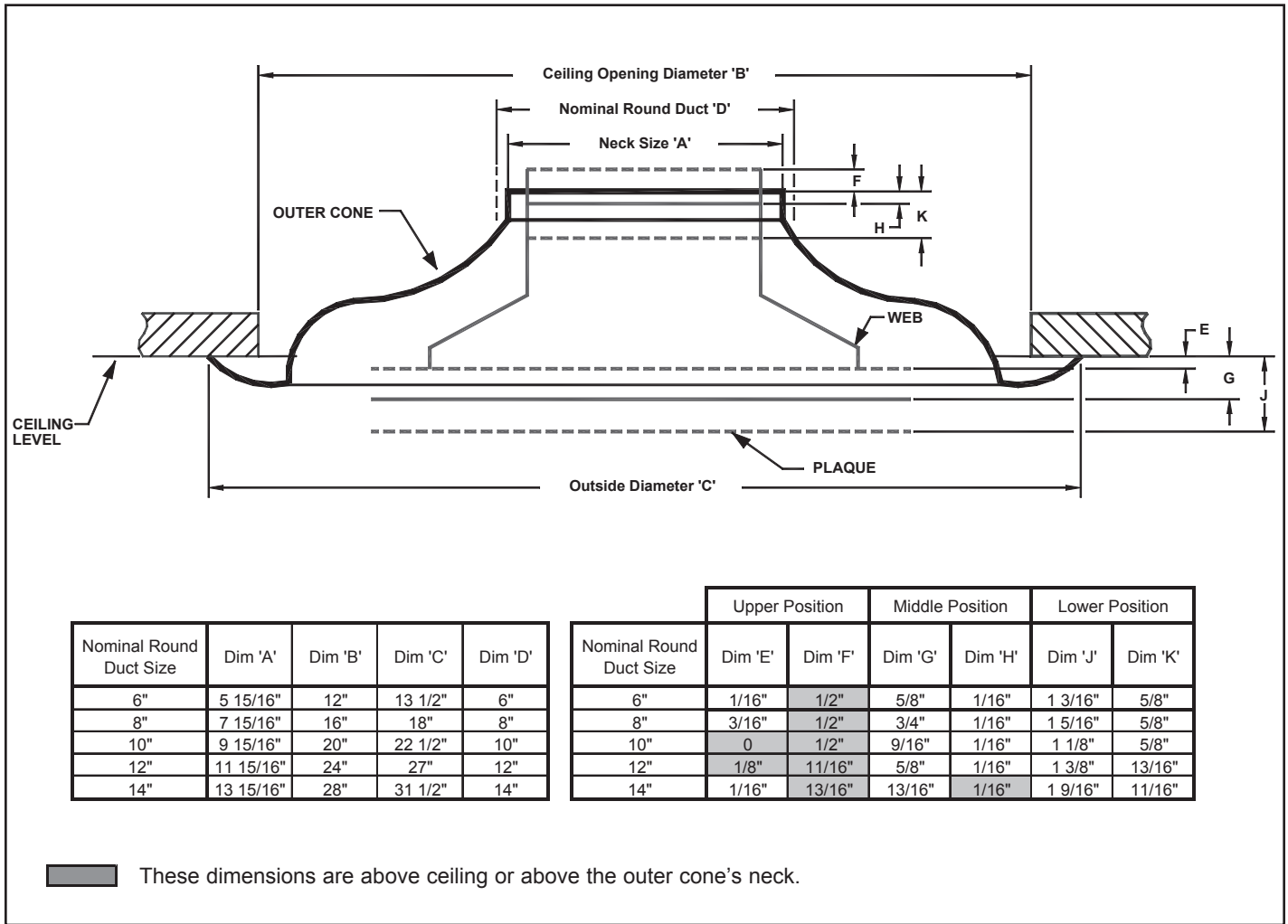


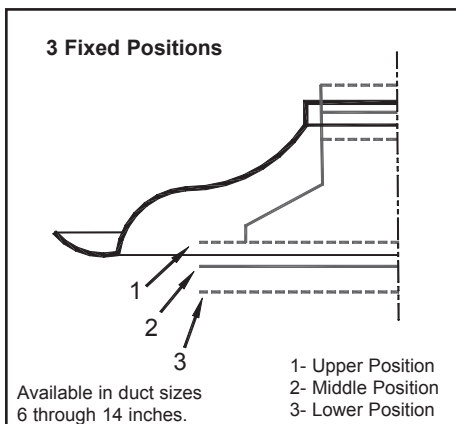
Round Ceiling Diffusers

Steel • Adjustable

Model: R-OMNI • Horizontal-to-Vertical Discharge Patterns



Adjustment Types



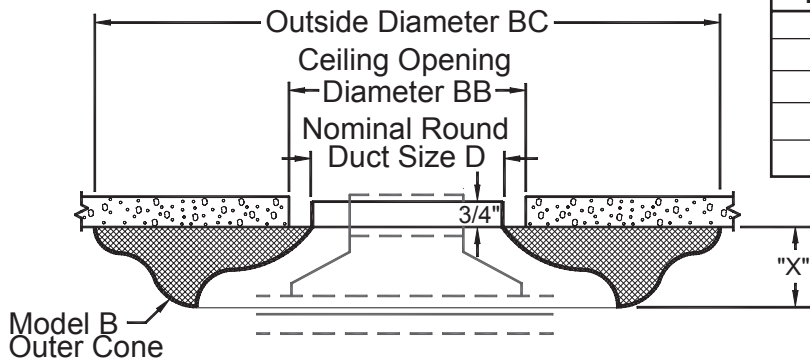
Dimensions are in inches.

(Please see reverse side.)

Accessories (Optional)

Check if provided

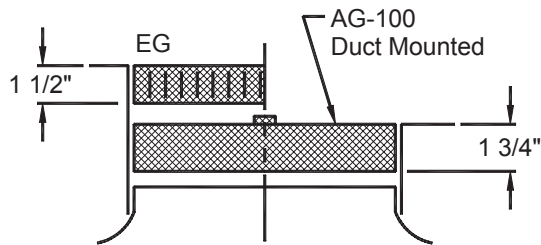
Model B Outer Cone



Nominal Round Duct Size D	BB	BC	X
6	7	17 3/4	1.95
8	9	23 1/4	2.60
10	11	29	3.25
12	13	34 7/8	3.90
14	15	40 5/8	4.55

Model AG-100 Radial Sliding Blade Damper

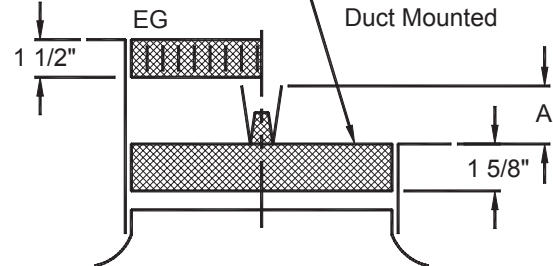
Model EG Equalizing Grid



1 Model AG-100 damper is available in duct sizes 8 thru 14 inches only.

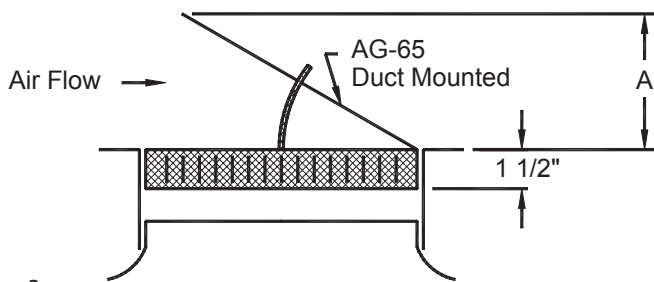
Model AG-85 Butterfly Damper

Model EG Equalizing Grid



2 Model AG-85 damper is available in duct sizes 8 thru 14 inches only.

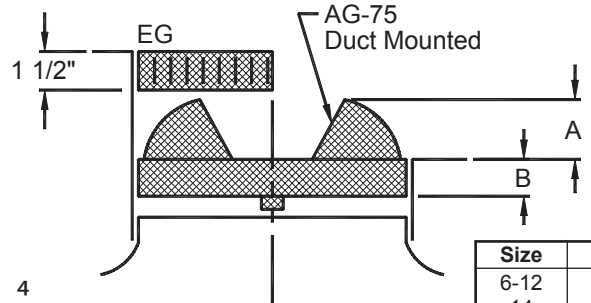
Model AG-65 Combination Damper and Equalizing Grid



3

Model AG-75 Opposed Blade Damper

Model EG Equalizing Grid



4

Size	B
6-12	1 1/2
14	2 1/8

Dimension "A" in Inches, for Dampers Shown

Accessories	Nominal Round Duct Sizes				
	6	8	10	12	14
1 AG-100	0	0	0	0	0
2 AG-85	2 1/2	3 1/2	4 1/2	5 1/2	6 1/2
3 AG-65	3 3/8	4 1/2	5 1/2	7 1/8	8 5/8
4 AG-75	2 3/4	3 5/8	4 1/2	5 3/8	2 3/4

Note 1 :

Model AG-100 damper have radial blades that slide in a horizontal plane. For that reason, no opening clearance "A" is dimensioned. Dimensions are in inches.

Standard Finish: #26 White

General Description

- Model R-OMNI adjustable round ceiling diffusers are designed to satisfy architectural as well as engineering criteria. Its design allows for both heating and cooling applications. The discharge pattern can be adjusted from horizontal to vertical.
- Uniform 360 degree discharge pattern.
- Excellent performance in variable air volume applications.
- The R-OMNI has three fixed positions: architectural (flush with outer cone as shipped), cooling (plaque dropped below outer cone), and heating (plaque deep in outer cone). Adjust by removing the plaque and repositioning screws.
- Optional Type B outer cone reduces ceiling smudging. Also useful where plenum height or space for the ceiling opening is limited.
- Spring lock allows easy removal and replacement of the plaque.
- Outer cone and webbing is steel. Plaque is aluminum.
- All models have a retainer cable standard to allow the inner cone to hang during maintenance of the diffuser.



Note: This submittal is meant to demonstrate general dimensions of this product. The drawings on this submittal are not meant to detail every aspect of the product with exactness. Drawings are not to scale. TITUS reserves the right to make changes without written notice.

605 Shiloh Road • Plano, Texas 75074 • 972-212-4800

All rights reserved. No part of this work may be reproduced or transmitted in any form or any means, electronic or mechanical, including photocopying and recording, or by any information storage retrieval system without permission in writing from Air Distribution Technologies