

## Plenum Slot Diffusers Adjustable • Modulinear Control

Model: TBD-30 • 1, 2, 3 or 4 slots

Optional T-bar

Optional Internal Insulation (TBDI Models)

L minus 1/4"

Optional Center T-Bars are shown above

S Slot Width	W (Width)			
	1 Slot	2 Slot	3 Slot	4 Slot
3/4	1 3/4	3 1/2	5 1/4	7
1	2	4	6	8

Standard Inlets	Standard Inlet Sizes
Oval (in.)	6, 8, 10, 12

Standard Inlet Size	A	B
6" Oval	6 1/4	5 1/4
8" Oval	9 3/8	5 1/4
10" Oval	12 1/2	5 1/4
12" Oval	15 9/16	5 1/4
No Inlet	-	-

Note: End caps not insulated.

Accessories (Optional) Check  if provided.

### Optional Factory-Furnished T-Bars

0  
 No T-Bars

1  
 One T-Bar, Inlet Side

1L  
 One T-Bar, Side Opposite Inlet

2  
 Two T-Bars, Outside Edge

3  
 All T-Bars

4  
 All Center T-Bars, No Outside T-Bars

5  
 Two T-Bars, Center & Inlet Side

5L  
 Two T-Bars, Center & Side Opposite Inlet

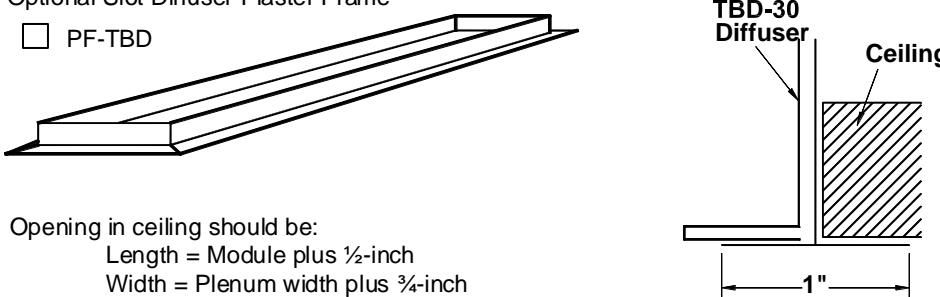
Note: Factory supplied outside T-bars are 1" wide. Center channels are provided on 2-4 slot units when T-bars are by others.

Accessories (Optional) Check  if provided.

- Internal Insulation (TBDI-30).  
Note: Plenum end caps are not insulated.

Optional Slot Diffuser Plaster Frame

PF-TBD

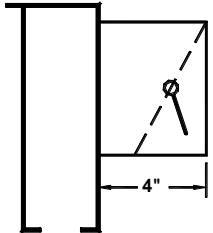


Opening in ceiling should be:  
Length = Module plus 1/2-inch  
Width = Plenum width plus 3/4-inch

The PF-TBD slot diffuser mounting frame can be used in sheetrock or plaster ceiling. The frame is mounted in the ceiling by others. The TBD-30 is mounted on the inside lip of the frame. Plaster frame is 1 1/2" high.

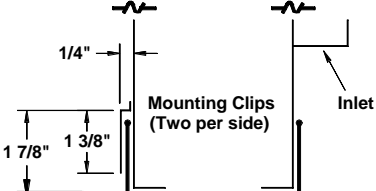
Optional Inlet Damper

ID (Shipped loose)



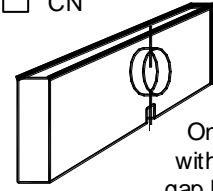
Optional Mounting Clips

- MTC-1 (One side)
- MTC-2 (Both sides)



Optional Cross Notch

CN



On units equipped with optional T-Bars, gap between T-bars at cross notch is designed for 15/16" wide T-bar grid.

Standard Finish: #02 Black pattern controllers and exposed surfaces, white optional T-Bars.

General Description

- Model TBD-30 plenum slot diffuser with modulinear pattern control allows total air flow adjustment. Both direction and volume of the air can be varied from the face of the diffuser.
- The air pattern can be adjusted from full horizontal to full vertical.
- The TBD-30 plenum slot diffuser is excellent for variable volume systems. When set for a horizontal flow, the TBD-30 will maintain the horizontal pattern from maximum to minimum flow.
- Standard unit for T-bar lay-in. Available for other ceiling systems. Contact your local TITUS Representative.
- Unit available with 3/4" and 1" slots.
- Number of slots available: 1, 2, 3 and 4.
- Standard lengths: 24", 36", 48", 60".
- Length 24" has 1 set of blades per slot. Lengths 36", 48" and 60" have 2 sets of blades per slot.
- Material is steel.