

Perforated Ceiling Diffusers Steel • Fire Rated • Flush Face

Model: PAR-FR • Return

Border Type 3 (Lay-In) With Fire Damper

Ceiling Module Size	12" x 12"	24" x 12"	24" x 24"
Duct Size D	10" x 10"	22" x 10"	22" x 22"

Accessories (Optional)

Check if provided

Fire Damper with Extended Neck

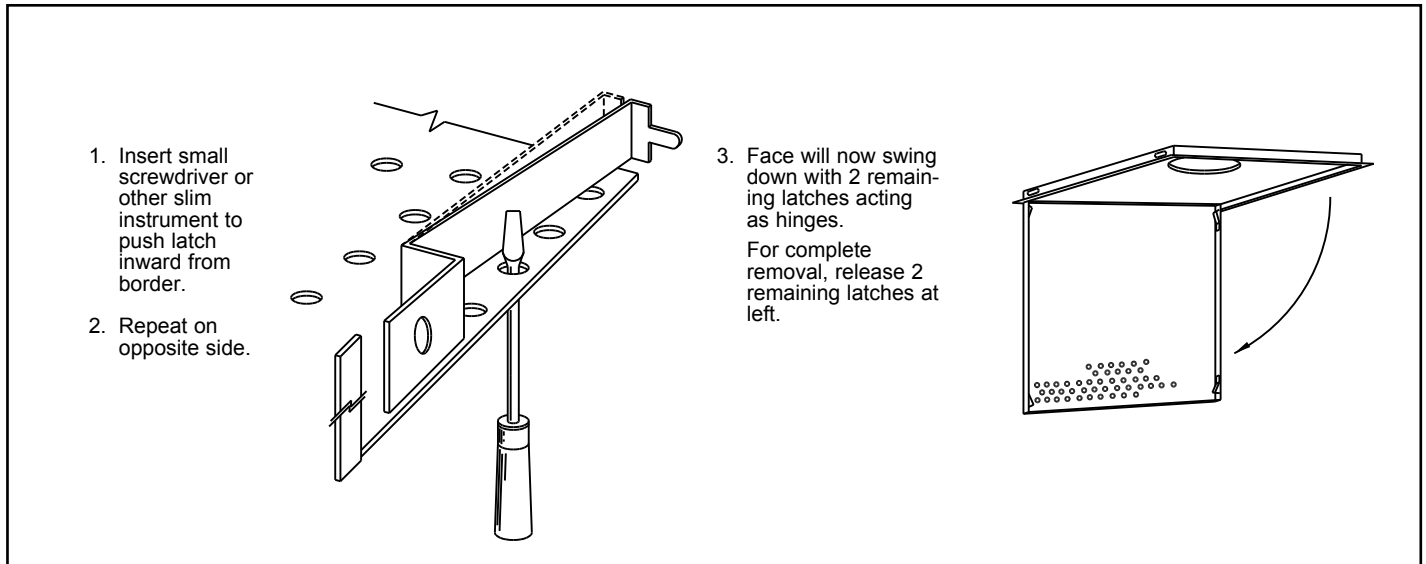
Duct Size D	Extended Neck Height
10" x 10"	7 1/2"
22" x 10"	12 1/2"
22" x 22"	12 1/2"

UL Listed Fusible Volume Adjustment Control - Allows adjustment of fire damper blades to balance airflow. A standard 3/16" hex key (by others) is required for adjustment.

Other Accessories (Optional)

Fusible Link 165° F (212° F is standard).

Removing Perforated Face



Standard Finish: #26 White

General Description

- Model PAR-FR is a UL Classified Fire Rated Ceiling Diffuser Assembly listed in The Underwriters Laboratories "Fire Resistance Directory."
- The Ceiling Diffuser Assembly has a fire resistance rating of 3 hours or less when installed in accordance with the installation instructions.
- Model PAR-FR flush face perforated ceiling diffusers are designed for use as returns to match the Model PAS-FR supply diffusers.
- Can be mounted in plenum or connected to a return duct.
- Optional volume adjustment damper control is easy adjusted by dropping the perforated face (see above).
- Perforated panel has $\frac{3}{16}$ " diameter holes on $\frac{1}{4}$ " staggered centers.
- Material is heavy gauge steel.