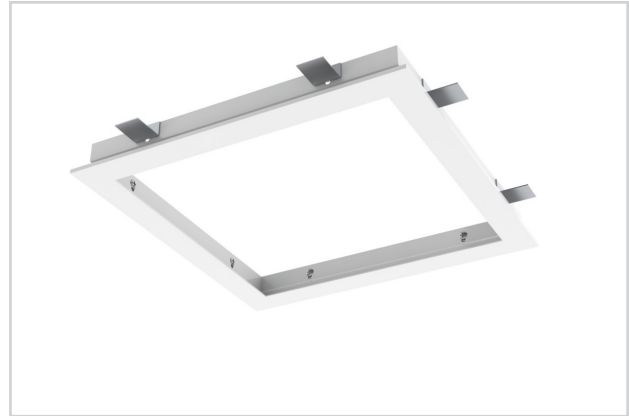


TRM / TRM-S

- Model TRM Titus Rapid Mount Frame allows T-bar, lay-in type diffusers (border Type 3) to be installed in surface mounting applications (border Type 1)
- TRM frame is installed in opening and secured in place using security clips. Screws are mounted flush in frame mounting holes.
- Rapid Mount Frame can be mounted in plaster or sheet rock ceiling
- The TRM can be used to access ceiling plenum. Diffuser with flex connection can be lifted out of frame to access ceiling space.
- Material is aluminum with steel fasteners



TRM / TRM-S



mounting frames

MODELS:

TRM / Aluminum
TRM-S / Steel

FINISHES:

Standard Finish - #26 White
Optional Finishes - #01 Aluminum / #04 Mill



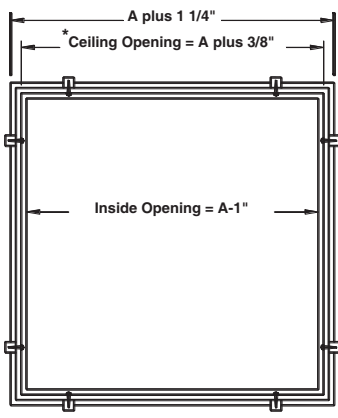
See website for Specifications

OVERVIEW


Rapid Mount

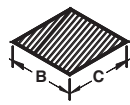
Titus mounting frames make installation of grilles, diffusers and other ceiling components in plaster and sheet rock ceilings as simple as inserting them in a standard T-bar type ceiling. For typical applications, the frame has adjustable fastening clips which adapt to a variety of plaster and sheet rock ceiling thicknesses.

Note: For plaster and sheet rock ceilings



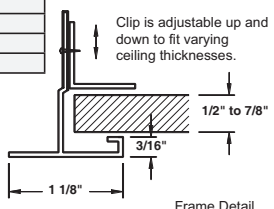
A = Length of ceiling module





Ceiling Module	Recommended Ceiling Opening*	
	B	C
12 x 12	12½	12½
300 x 300mm	313mm	313mm
16 x 16	16½	16½
20 x 20	20½	20½
24 x 12	24½	12½
24 x 24	24½	24½
600 x 600mm	613mm	613mm
36 x 24	36½	24½
48 x 12	48½	12½
48 x 24	48½	24½
60 x 12	60½	12½
60 x 24	60½	24½
72 x 12	72½	12½
72 x 24	72½	24½

*Check actual dimensions of ceiling opening before installation



Clip is adjustable up and down to fit varying ceiling thicknesses.

1 1/8" 3/16" 1/2" to 7/8"

Frame Detail