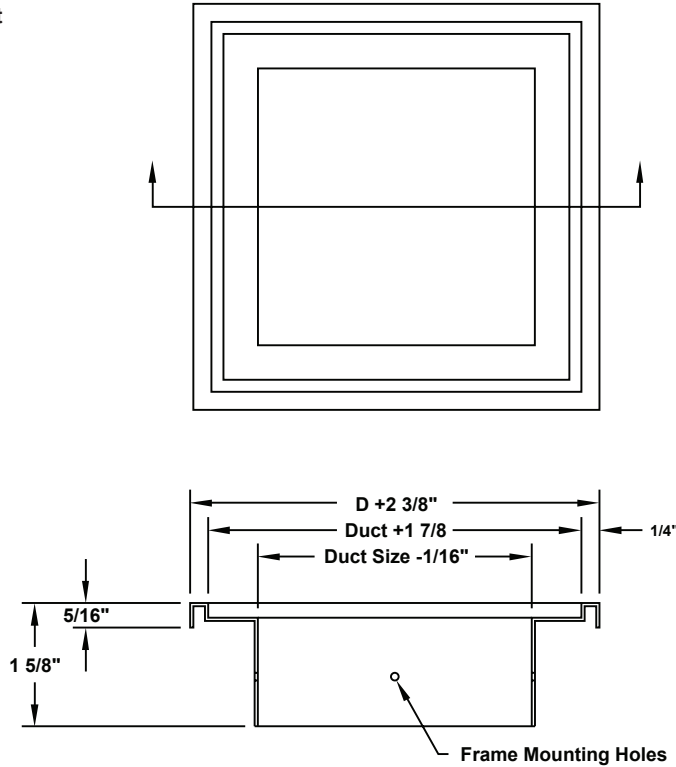


**Plaster Frame
Steel • Roll-Formed**

- Models: PF • Steel
 PFA • Aluminum
 PF-SS • 304 Stainless Steel

Border Type 1 • Surface Mount



Available Sizes (D" x D")
 6" x 6" through 48" x 48". Dimensions are in inches. Wall opening should be duct size + 1/8"

Standard Finish: #26 White

Optional Finish _____

General Description

- Models PF, PFA and PF-SS are manufactured of roll-formed material.
- Corners are welded together with reinforcement patches for extra strength.
- Can be installed on the surface of the wall or embedded in the plaster.
- Manufactured for use with 300/350, 50F, 50R, 8R and 8F series of grilles and registers.