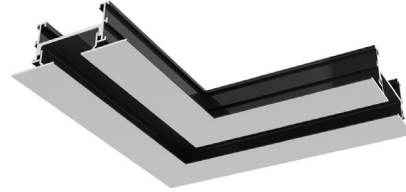


ACCESSORIES

FBMC

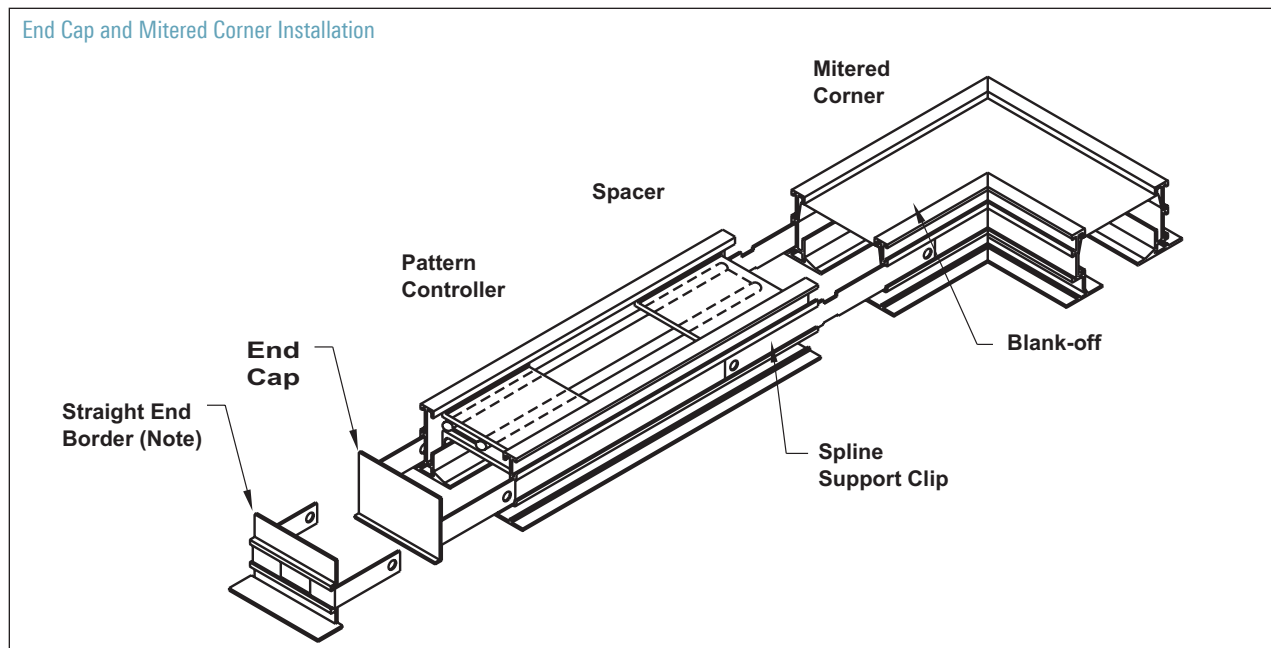
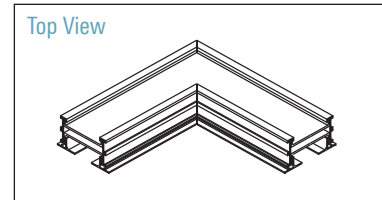
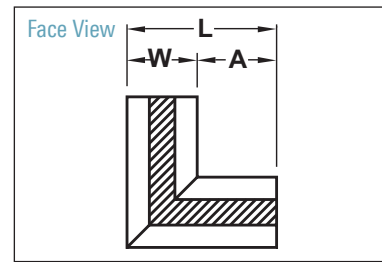
OPTIONAL MITERED CORNER

- FBMC-10 / 1" Slot
- FBMC-15 / 1½" Slot
- FBMC-20 / 2" Slot
- FBMC-25 / 2½" Slot
- FBMC-30 / 3" Slot



- End Caps, End Borders, Mitered Corners and Blank-Offs are optional
- FlowBar Diffusers can be joined together end-to-end to form long continuous runs
- Optional End Borders and End Caps close off the ends of the diffusers and simplify installations ending at walls and other stopping points
- Optional Mitered Corners are rendered inactive with factory installed blank-offs
- Spline Clips (SS1) maintain tight joints between sections

Number of Slots	Slot Width	Border Type 11			Border Type 66			Border Type 22		
		L	W	A	L	W	A	L	W	A
1	1	8¾	2¾	6	9¼	3¾	5½	9½	4¼	5¼
	1½	9¾	3¾	6	10¼	4¾	5½	10½	5¼	5¼
	2	10¾	4¾	6	11¼	5¾	5½	11½	6¼	5¼
	2½	11¾	5¾	6	12¼	6¾	5½	12¼	6¾	5½
	3	12¾	6¾	6	13¼	7¾	5½	13¼	7¾	5½
2	1	11 ¹³ / ₁₆	5 ³ / ₁₆	6	11 ¹¹ / ₁₆	6 ³ / ₁₆	5½	11 ¹⁵ / ₁₆	6 ¹ / ₁₆	5¼
	1½	13 ³ / ₁₆	7 ³ / ₁₆	6	13 ¹¹ / ₁₆	8 ¹¹ / ₁₆	5½	13 ¹⁵ / ₁₆	8 ¹¹ / ₁₆	5¼
	2	15 ³ / ₁₆	9 ³ / ₁₆	6	15 ¹¹ / ₁₆	10 ¹¹ / ₁₆	5½	15 ¹⁵ / ₁₆	10 ¹¹ / ₁₆	5¼
	2½	17 ³ / ₁₆	11 ³ / ₁₆	6	17 ¹¹ / ₁₆	12 ¹¹ / ₁₆	5½	17 ¹⁵ / ₁₆	12 ³ / ₁₆	5½
	3	19 ³ / ₁₆	13 ³ / ₁₆	6	19 ¹¹ / ₁₆	14 ¹¹ / ₁₆	5½	19 ¹⁵ / ₁₆	14 ³ / ₁₆	5½



Note: Optional Straight End Borders not available for Border Types 22, 14 and 55

ACCESSORIES

Redefine your comfort zone.™ | www.titus-hvac.com

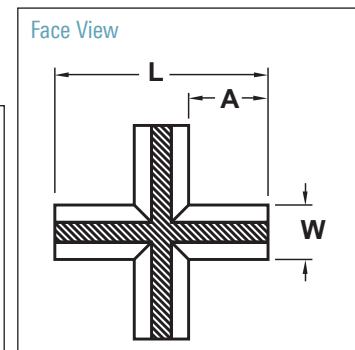
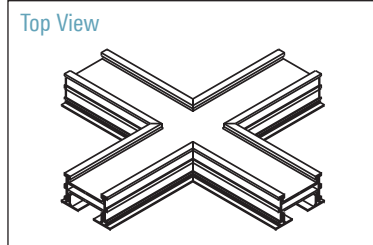
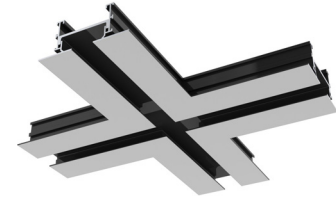
FBC

OPTIONAL FLOW CROSS

- FBC-10 / 1" Slot
- FBC-15 / 1½" Slot
- FBC-20 / 2" Slot
- FBC-25 / 2½" Slot
- FBC-30 / 3" Slot

Number of Slots	Slot Width	L	Border Type 11		Border Type 66	
			W	A	W	A
1	1	14¾	2¾	6	3¾	5½
	1½	15¾	3¾	6	4¾	5½
	2	16¾	4¾	6	5¾	5½
	2½	17¾	5¾	6	6¾	5½
	3	18¾	6¾	6	7¾	5½

All dimensions are in inches
Not available in 2 slots



HTSK / JTSK

OPTIONAL FIELD CUT SPACER KIT

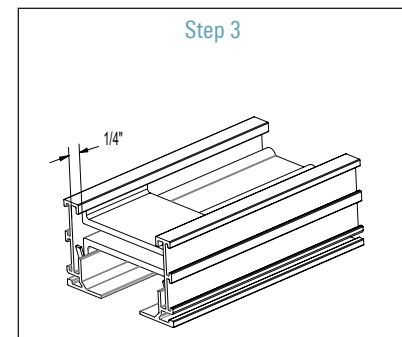
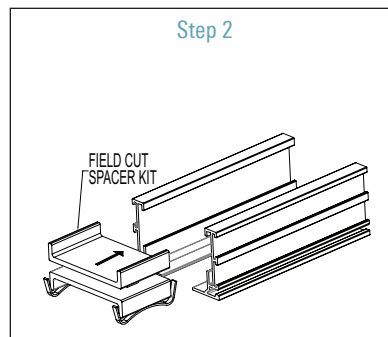
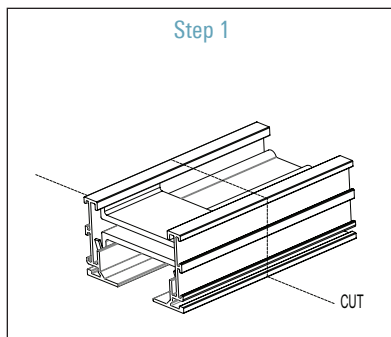
- HTSK-10 / 1" Slot
- HTSK-15 / 1½" Slot
- HTSK-20 / 2" Slot
- HTSK-25 / 2½" Slot
- HTSK-30 / 3" Slot
- JTSK-10 / 1" Slot
- JTSK-15 / 1½" Slot
- JTSK-20 / 2" Slot
- JTSK-25 / 2½" Slot
- JTSK-30 / 3" Slot

Sometimes the exact length of a FlowBar diffuser is not known until the diffuser is being installed. Standard FlowBar diffusers can be field trimmed. Use the following information to trim FlowBar in the field.

1. Determine the desired length and cut accordingly
2. Insert the optional field cut spacer kit
3. Place the spacer kit ¼ inch from the newly trimmed end

Note: The pattern controller must be cut ¼ inches shorter than the borders to accommodate the Field Spacer Kit

The following figures illustrate the trimming procedure.



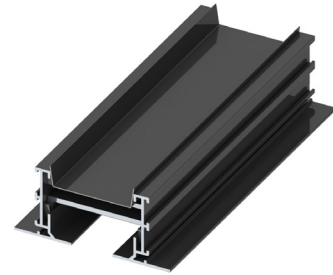
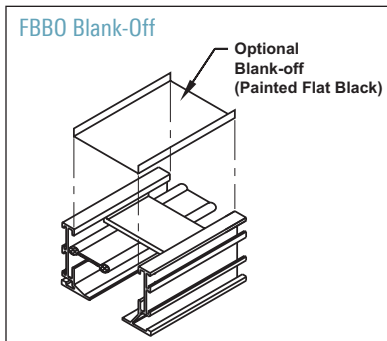
ACCESSORIES

FBBO

OPTIONAL BLANK-OFF

- FBBO-10 / 1" Slot
- FBBO-15 / 1½" Slot
- FBBO-20 / 2" Slot
- FBBO-25 / 2½" Slot
- FBBO-30 / 3" Slot

Note: Units ship in 6 foot increments.
Field cut for shorter length.

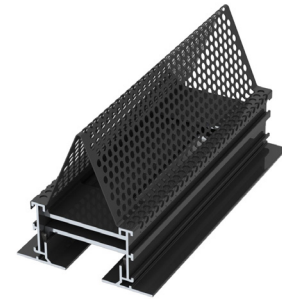
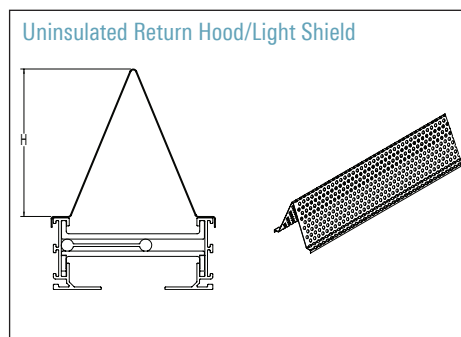


FBR

OPTIONAL RETURN HOOD/LIGHT SHIELD

- FBR-10 / 1" Slot
- FBR-15 / 1½" Slot
- FBR-20 / 2" Slot
- FBR-25 / 2½" Slot
- FBR-30 / 3" Slot

Note: Return Hoods are 51 percent free area perforated galvanized steel, painted flat black



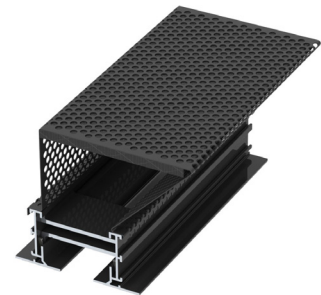
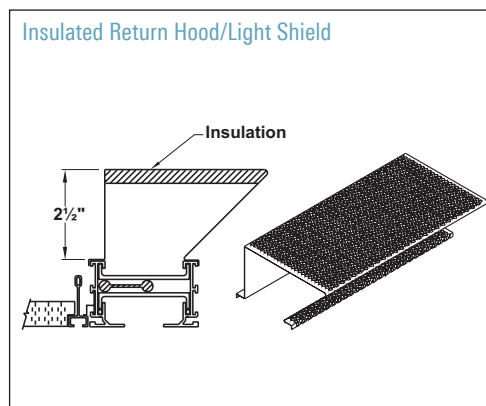
FBRI

- FBRI-10 / 1" Slot
- FBRI-15 / 1½" Slot
- FBRI-20 / 2" Slot
- FBRI-25 / 2½" Slot
- FBRI-30 / 3" Slot

Note: Return Hoods are 51 percent free area perforated galvanized steel, painted flat black

Units ship in 4 foot increments. Field cut for shorter lengths.

Return Hoods not available on curved FlowBar



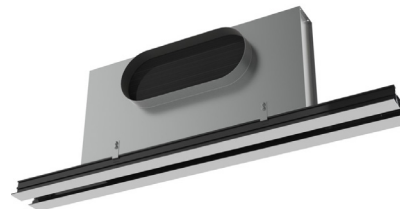
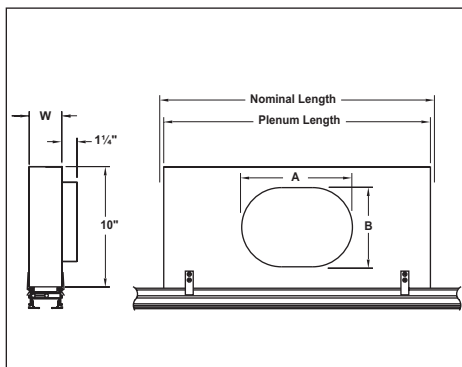
Number of Slots	Slot Width	H (Height)
1	1	3⅞
	1½	3⅞
	2	3⅞
	2½	7⅛
	3	7⅛
2	1	2⅞
	1½	3⅞
	2	4⅞
	2½	5⅞
	3	6⅞

All dimensions are in inches

FBP/ FBPI

MODEL FBP OR FBPI PLENUM FOR
FLOWBAR LINEAR DIFFUSERS, BORDER
TYPES 11, 14, 16, 22, 55, 66

- FBP-10 / 1" Slot
- FBP-15 / 1½" Slot
- FBP-20 / 2" Slot
- FBP-25 / 2½" Slot
- FBP-30 / 3" Slot
- FBPI-10* / 1" Insulated
- FBPI-15* / 1½" Insulated
- FBPI-20* / 2" Insulated
- FBPI-25* / 2½" Insulated
- FBPI-30* / 3" Insulated



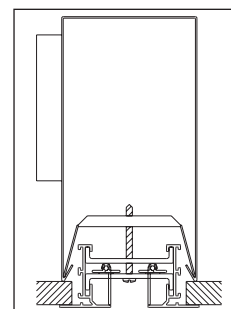
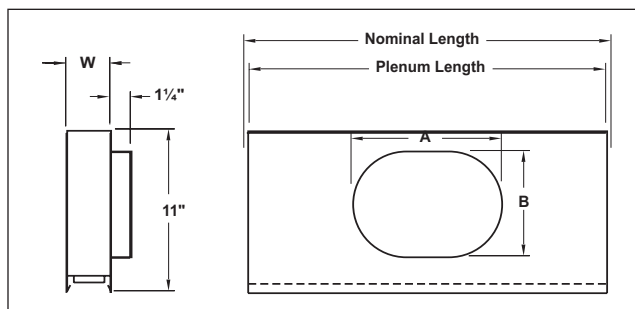
*Note: End Caps are not insulated

FlowBar Unit	Border 11, 14, 16, 22, 55, 66 W (Width)			Nominal Length	Standard Available Inlets	Plenum Length (inches)
	Slots					
	1	2 CRN	2CRA			
FBP & FBPI-10	2¾	6	5¼	24, 36, 48, 60	6, 8, 10, 12	21¾, 33¾, 45¾, 57¾
FBP & FBPI-15	3¾	8	7¼	24, 36, 48, 60	6, 8, 10, 12	21¾, 33¾, 45¾, 57¾
FBP & FBPI-20	4¾	10	9¼	24, 36, 48, 60	6, 8, 10, 12	21¾, 33¾, 45¾, 57¾
FBP & FBPI-25	5¾	12	11¼	24, 36, 48, 60	6, 8, 10, 12	21¾, 33¾, 45¾, 57¾
FBP & FBPI-30	6¾	14	13¼	24, 36, 48, 60	6, 8, 10, 12	21¾, 33¾, 45¾, 57¾

Standard Inlet Size	Dimensions	
	A	B
6 Oval	6¼	5¼
8 Oval	9⅜	5¼
10 Oval	12½	5¼
12 Oval	14⅞	7⅞
No Inlet	-	-

MODEL FBP OR FBPI PLENUM FOR
FLOWBAR LINEAR DIFFUSERS,
BORDER TYPE 77 ONLY

- FBP-10 / 1" Slot
- FBP-15 / 1½" Slot
- FBP-20 / 2" Slot
- FBP-25 / 2½" Slot
- FBP-30 / 3" Slot
- FBPI-10* / 1" Insulated
- FBPI-15* / 1½" Insulated
- FBPI-20* / 2" Insulated
- FBPI-25* / 2½" Insulated
- FBPI-30* / 3" Insulated



FlowBar Border 77
Installation Detail

*Note: End Caps are not insulated

FlowBar Unit	Border 77 W (Width)			Nominal Length	Standard Available Inlets	Plenum Length (inches)
	Slots					
	1	2 CRN	2CRA			
FBP & FBPI-10	3¾	7 ¹ / ₁₆	6 ³ / ₁₆	24, 36, 48, 60	6, 8, 10, 12	24, 36, 48, 60
FBP & FBPI-15	4¾	9 ¹ / ₁₆	8 ³ / ₁₆	24, 36, 48, 60	6, 8, 10, 12	24, 36, 48, 60
FBP & FBPI-20	5¾	11 ¹ / ₁₆	10 ³ / ₁₆	24, 36, 48, 60	6, 8, 10, 12	24, 36, 48, 60
FBP & FBPI-25	6¾	13 ¹ / ₁₆	12 ³ / ₁₆	24, 36, 48, 60	6, 8, 10, 12	24, 36, 48, 60
FBP & FBPI-30	7¾	15 ¹ / ₁₆	14 ³ / ₁₆	24, 36, 48, 60	6, 8, 10, 12	24, 36, 48, 60

Standard Inlet Size	Dimensions	
	A	B
6 Oval	6¼	5¼
8 Oval	9⅜	5¼
10 Oval	12½	5¼
12 Oval	14⅞	7⅞
No Inlet	-	-