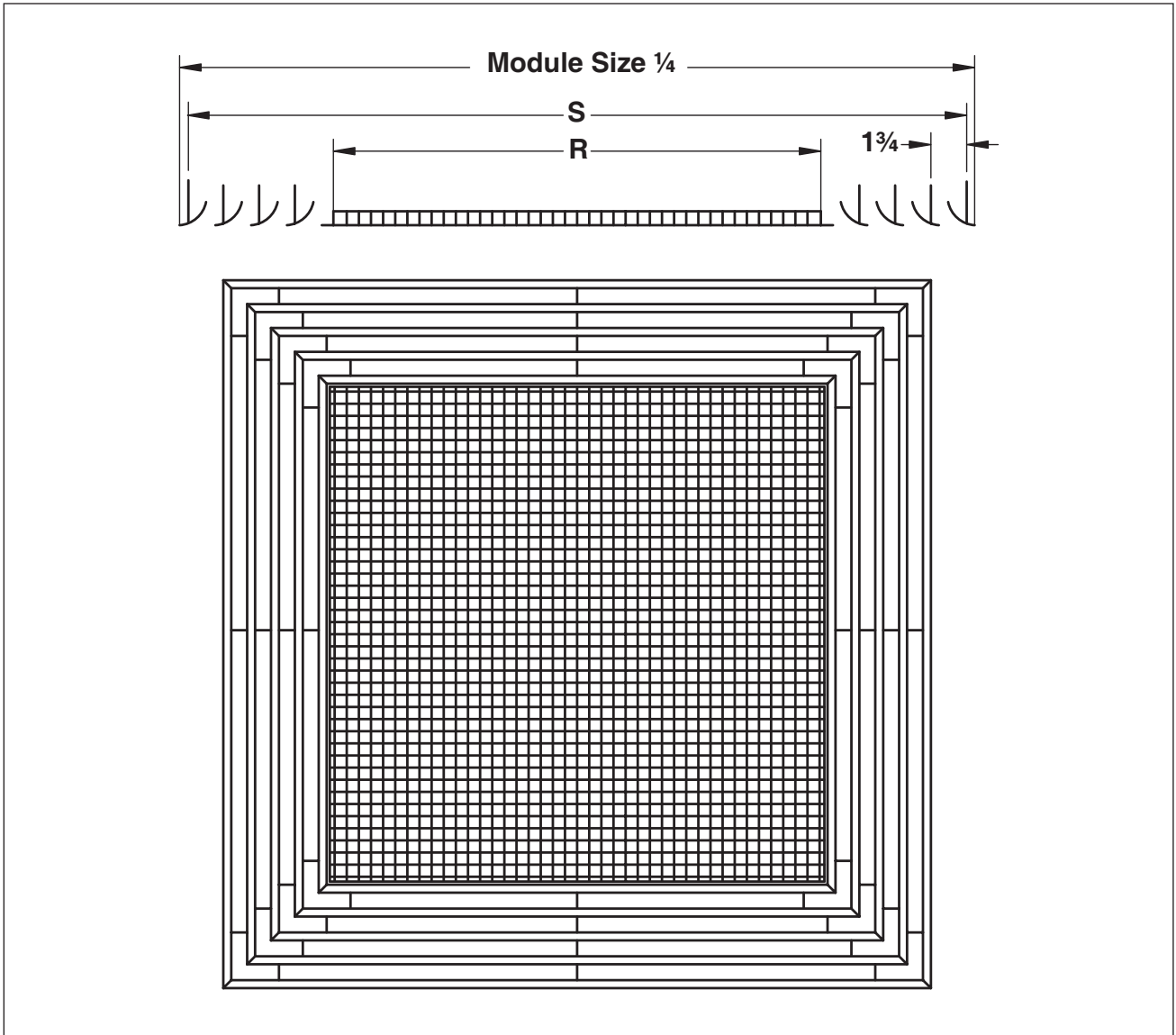


DIMENSIONS

CSR / CSR-P UNIT DIMENSIONS

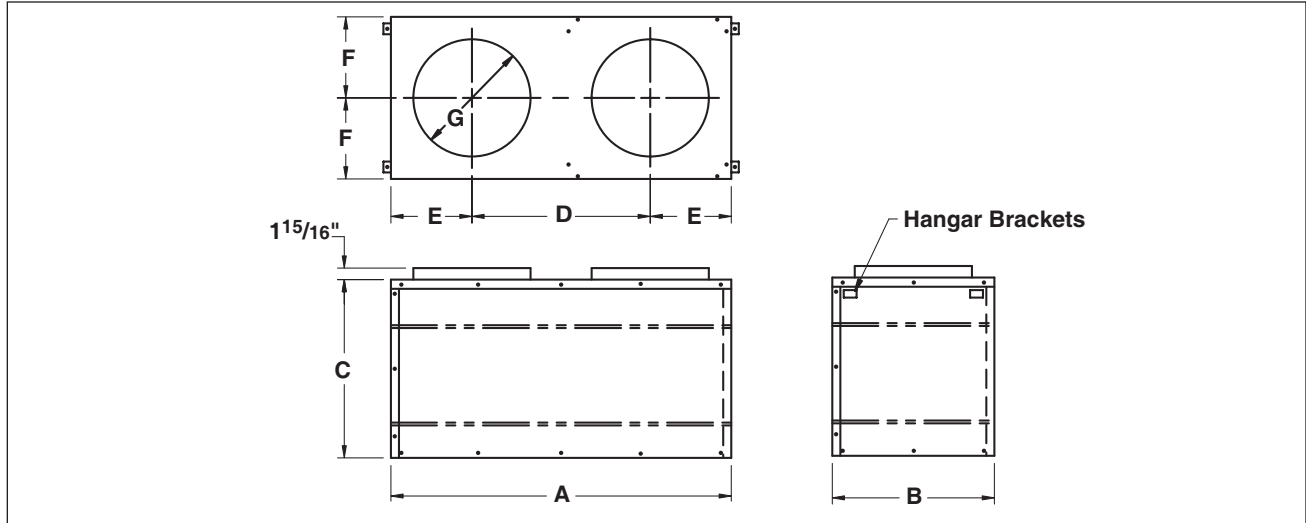


Nominal Tonnage	Module Size	Supply Duct S	Return Duct R
2½ - 5	48 x 24	46¾ x 22¾	36 ¹ / ₈ x 12 ¹ / ₈
6 - 10	48 x 36	46¾ x 34¾	32 ¹¹ / ₁₆ x 20 ¹¹ / ₁₆
10 - 15	48 x 48	46¾ x 46¾	29 ¹ / ₈ x 29 ¹ / ₈
15 - 25	60 x 60	58¾ x 58¾	37 ¹¹ / ₁₆ x 37 ¹¹ / ₁₆

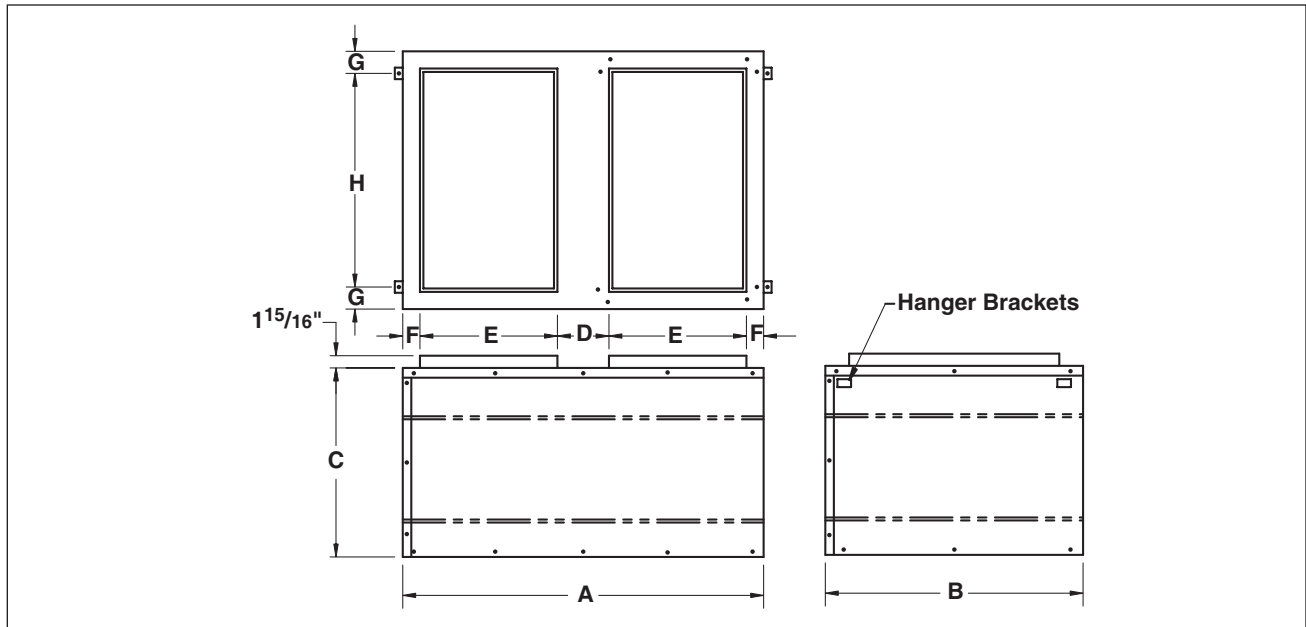
DIMENSIONS

Redefine your comfort zone.™ | www.titus-hvac.com

CSR / CSR-P UNIT DIMENSIONS



Module Size	A	B	C	D	E	F	G
48 x 24	47	22 ^{13/16}	23 ^{15/16}	22 ^{1/2}	12 ^{1/4}	11 ^{1/2}	17 ^{15/16}



Module Size	A	B	C	D	E	F	G	H
48 x 36	47	35	23 ^{15/16}	4 ^{15/16}	17 ^{7/8}	3 ^{1/8}	3 ^{9/16}	27 ^{7/8}
48 x 48	47	47	23 ^{15/16}	4 ^{15/16}	17 ^{7/8}	3 ^{1/8}	5 ^{9/16}	35 ^{7/8}
60 x 60	59	59	23 ^{15/16}	4 ^{15/16}	23 ^{7/8}	3 ^{1/8}	5 ^{9/16}	47 ^{7/8}

F

DIMENSIONS