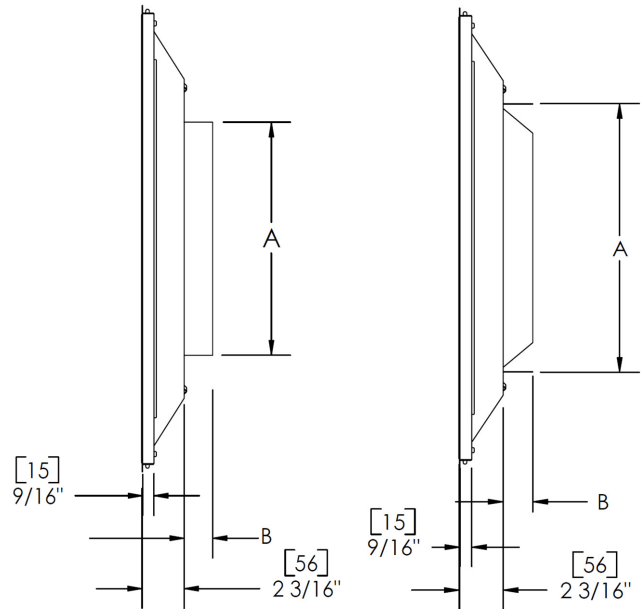
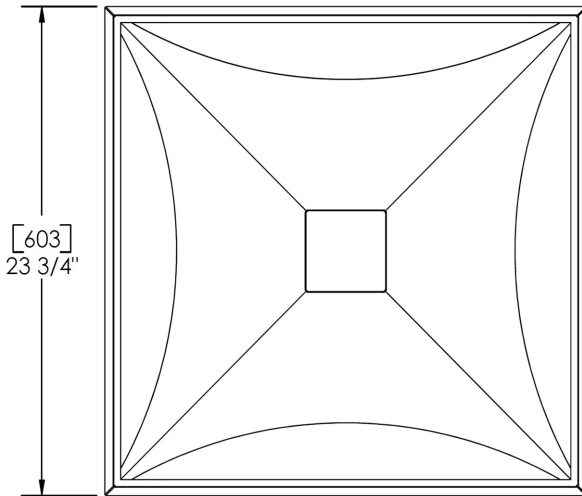


Architectural Ceiling Diffusers Steel • Square Panel • Architectural Plaque Face

Model: Spectrum • Round and Square Neck

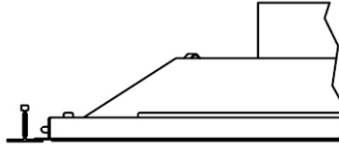
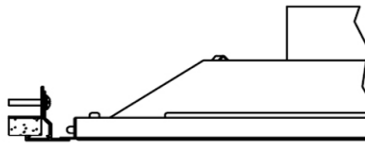


Round Neck

Square Neck

Duct Size (inches)	Round Neck	
	A	B
6	5 7/8	1
8	7 7/8	
10	9 7/8	1 1/2
12	11 7/8	
14	13 7/8	
16	15 7/8	

Duct Size (inches)	Square Neck	
	A	B
6x6	5 7/8 x 5 7/8	1 1/2
8x8	7 7/8 x 7 7/8	
10x10	9 7/8 x 9 7/8	
12x12	11 7/8 x 11 7/8	
14x14	13 7/8 x 13 7/8	

Border Type 3 (Lay-in) Border Type 1 (Surface mount)

Frame type 1 is shipped as a frame 3 lay-in with a separate TRM frame

Standard Finish: #26 white

General Description

- The Titus Spectrum is an high capacity diffuser with architectural face plate
- Great performance, excellent for variable volume systems.
- Available with self-adhesive color applique (choice of 9 standard colors)
- Special colors available as a special
- Frame type 1 ships as a frame type 3 lay-in with a separate TRM frame for easy mounting in surface mount applications
- Removable face for easy access to duct
- Can be used to retrofit Titus perforated diffusers
- Steel construction



Note: This submittal is meant to demonstrate general dimensions of this product. The drawings on this submittal are not meant to detail every aspect of the product with exactness. Drawings are not to scale. TITUS reserves the right to make changes without written notice.

605 Shiloh Road • Plano, Texas 75074 • 972-212-4800