



## *Museum of Modern Art (MOMA) New York*

New York, New York

*clever. creative. comfort.*

Client - MOMA

Representative Office - Air Device Equipment

Architect - Yoshio Taniguchi / Kohn Pederson Fox

LEED Certification - None



### ABOUT THE PROJECT

The Museum of Modern Art (MOMA) in New York is one of the premier attractions that people seek out when visiting the city. Having reopened its doors after a major renovation and remodeling in November 2004, this international destination for culture and art has assembled an immense collection of modern art from around the world to display. The design team created several intricate spaces that not only work well separately, but blend perfectly together when transitioning from floor to floor. The museum totals 747,000 square-feet of space.

### THE TITUS SOLUTION

Titus was extremely pleased to provide the grilles, diffusers and terminal units for such a high-profile project. Throughout the museum, we have thousands of products working together to provide the air distribution. The main products featured in MOMA are the FlowBar linear bar diffuser, the OMNI diffuser, the ML linear slot diffuser, and the PAR-AA perforated diffuser.

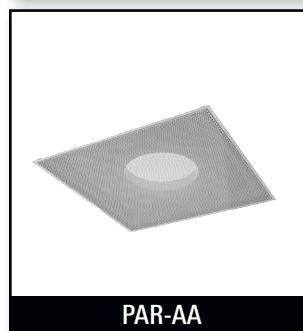
FlowBar is an architectural linear diffuser system that maximizes engineering performance without sacrificing aesthetic considerations for



FlowBar



OMNI



PAR-AA



ML

# Museum of Modern Art (MOMA) - New York

New York, New York

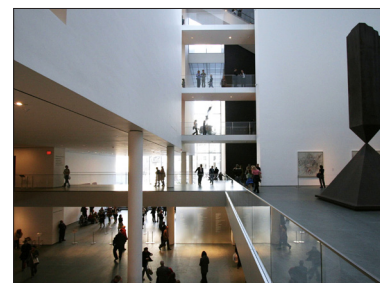
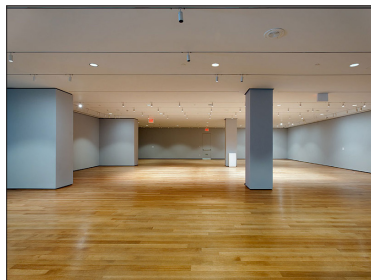


the designer. Its outstanding performance allows higher airflows than conventional linear diffuser systems. The wide array of slot widths that are available allow for more CFM per linear foot while minimizing noise and pressure loss. The Flowbar system is available in continuous linear, incremental linear and square configurations.

FlowBar also provides an installation alternative to the conventional linear diffuser. Conventional linear diffusers are supported by the duct system and in most cases are installed after the ceiling system is in place. For complete ceiling integration, the FlowBar system is offered with a large selection of flange styles compatible with various ceiling applications.

The Titus OMNI is a steel plaque face diffuser that satisfies architectural and engineering criteria. Its strong, clean, unobtrusive lines harmonize with the ceiling system without sacrificing performance. The curvature of the OMNI backpan works with the formed edges of the face panel to deliver a uniform 360 degree horizontal air pattern, without excessive noise or pressure drop. It is an excellent selection for variable air volume systems. The Titus ML Modulinear diffuser is a high performance, high quality linear slot diffuser. The unique "ice tong" deflector blades allow both changes in air volume and direction from the face of the diffuser. This diffuser is also available in 1 through 8-slot configurations with the exception of the ML-40, which is available in 1 through 4-slot configurations.

Perforated ceiling diffusers are typically selected to meet architectural demands for air outlets that blend into the ceiling plane. Titus perforated



# Museum of Modern Art (MOMA) - New York

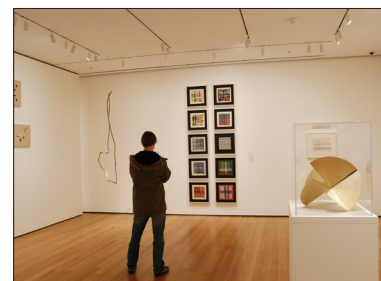
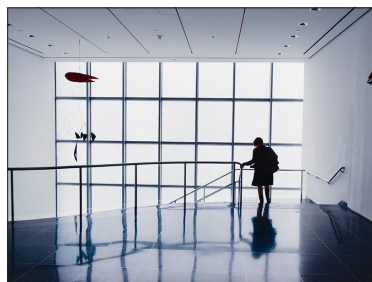
New York, New York



diffusers can be selected for a round pattern to maximize capacity or star pattern to maximize throw. The PAR-AA is a perforated return diffuser with an aluminum face and steel backpan.

## THE END RESULT

Designed to meet the needs for this generation and the next, the Museum of Modern Art - MOMA has lived up to all expectations. This breathtaking facility offers impressive views of the city, a beautiful atrium between the two buildings and a collection of art that continues to amaze the masses. The design team's ability to renovate and repurpose this museum into its present state is an impressive piece of art in itself.



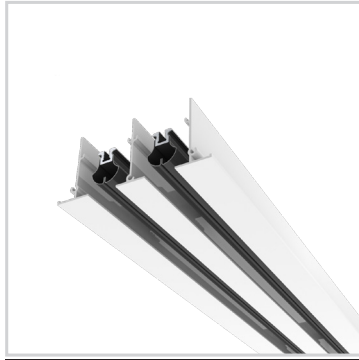
# Museum of Modern Art (MOMA) - New York

New York, New York

## Titus Products List



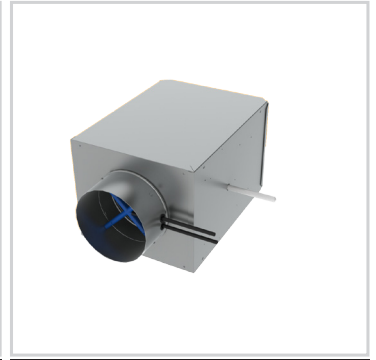
OMNI



ML



FlowBar



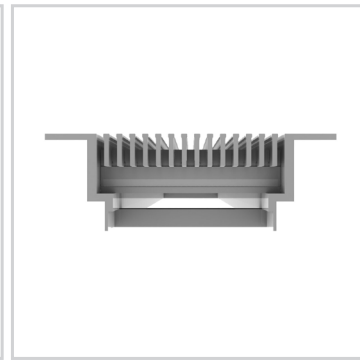
DESV



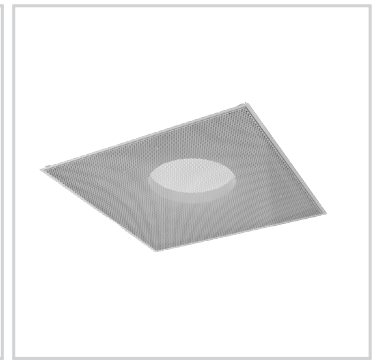
350ZFS



250-AA



CT



PAR-AA

Address - 605 Shiloh Rd Plano Texas 75074

Office - 972.212.4800

Fax - 972.212.4877

E-mail - [titus@titus-hvac.com](mailto:titus@titus-hvac.com)

Websites - [www.titus-hvac.com](http://www.titus-hvac.com) | [www.titus-energysolutions.com](http://www.titus-energysolutions.com)

© Copyright Titus 2012 | All rights reserved

