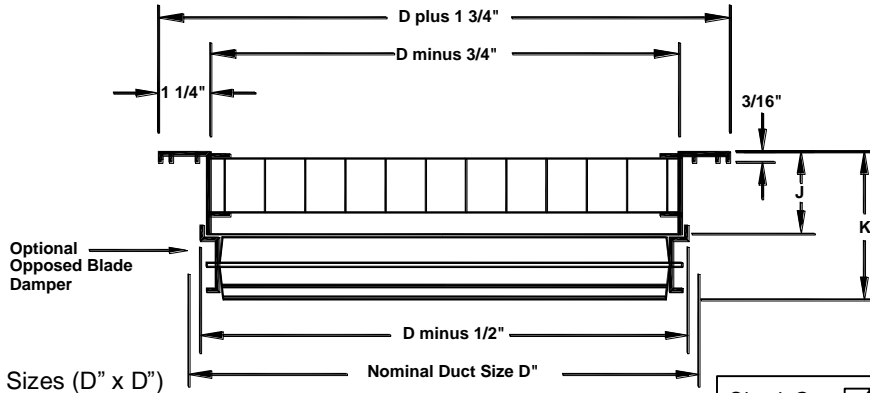


## Eggcrate Return Grilles • Aluminum Grid • Aluminum Border

- |  |   |
|--|---|
| <input type="checkbox"/> 50F • Code A • 1/2 x 1/2 x 1/2 Grid | <input type="checkbox"/> 50F-NT • Code A • 1/2 x 1/2 x 1/2 Grid • Narrow Tee Border |
| <input type="checkbox"/> 50F • Code B • 1/2 x 1/2 x 1 Grid   | <input type="checkbox"/> 50F-NT • Code B • 1/2 x 1/2 x 1 Grid • Narrow Tee Border   |
| <input type="checkbox"/> 50F • Code C • 1 x 1 x 1 Grid       | <input type="checkbox"/> 50F-NT • Code C • 1 x 1 x 1 Grid • Narrow Tee Border       |

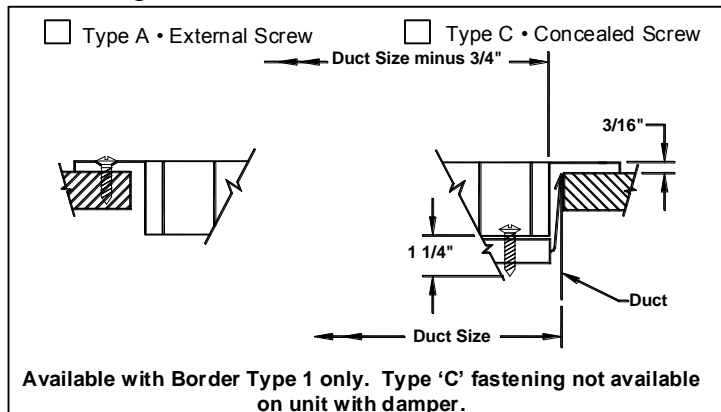
 Border Type 1 (Surface Mount)


Available Sizes (D" x D")

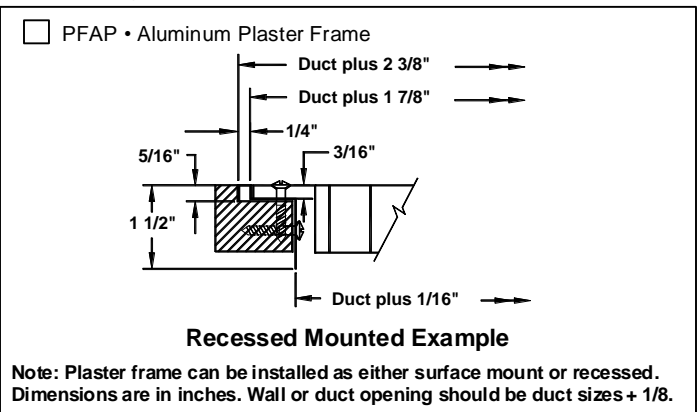
Check One <input checked="" type="checkbox"/>	<input type="checkbox"/>	<input type="checkbox"/>	<input type="checkbox"/>
Dimension	1/2" x 1/2" x 1/2"	1/2" x 1/2" x 1"	1" x 1" x 1"
J	1 1/4"	1 1/4"	1 1/4"
K	2 1/2"	2 15/16"	2 15/16"

Border Type 1 available in sizes 6" x 4" through 48" x 48" in one piece construction. Sizes larger than 48" x 48" are shipped in multiple sections. Odd and fractional sizes are available at additional cost. Wall or duct opening should be duct size  $\pm 1/8$ . All dimensions are in inches.

### Fastenings



### Mounting Frames



Accessories (Optional) Check  if provided.

- |   |  |
|---|--|
| <input type="checkbox"/> Neck mounted opposed blade damper (galvanized steel) | <input type="checkbox"/> IS • Insect Screen (1/16" square mesh – galvanized steel) |
| <input type="checkbox"/> EQT • Earthquake Tabs                                | <input type="checkbox"/> DS • Debris Screen (1/4" square mesh – galvanized steel)  |
|   | <input type="checkbox"/> Other: _____  |

Standard Finish: #26 White

Other Finish: \_\_\_\_\_

### General Description

- #8 x 1 1/4 lg. Phillips flat head sheet metal screws painted white.
- Insect and debris screens are not available when dampers are fitted.
- Optional opposed blade damper has screwdriver adjustment accessible through face of grille.
- Material is aluminum.
- All dimensions are  $\pm 1/16$ "

### Optional Border Types Available

### Border Type 3

• Accessories & Options

Check  if provided.

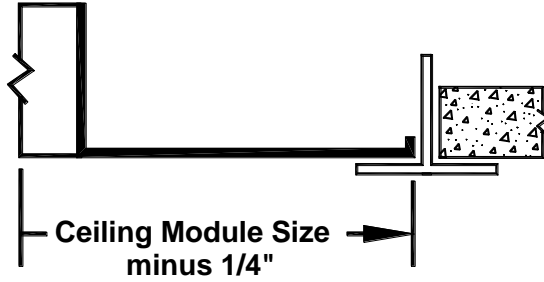
- Neck mounted opposed blade damper (galvanized steel)
- IS • Insect Screen (1/16" square mesh – galvanized steel)
- DS • Debris Screen (1/4" square mesh – galvanized steel)
- EQT • Earthquake tabs
- Other: \_\_\_\_\_

Note: Insect and Debris Screen are not available with Damper option

**Standard Finish: #26 White**

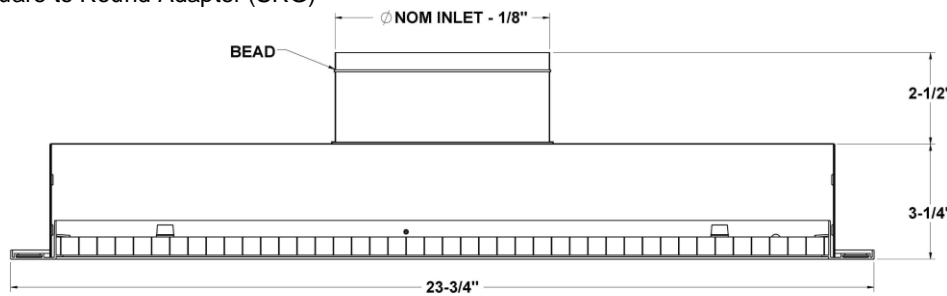
Other Finish: \_\_\_\_\_

Border Type 3 (Lay-in)  
Panel Mounted



Available as panel-mounted in all standard module sizes with neck sizes up to module size minus 2". Note: Module size minus 2" sizes do not require panel mounting.

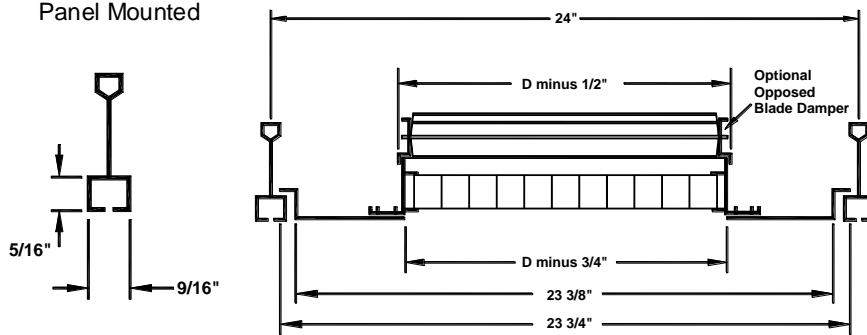
Square to Round Adapter (SRG)



Adapter interior is black and factory-mounted to grille

24 X 24 Module Size	
Nominal Grille Size	Nominal Round Inlet Size
22x22	6
	8
	10
	12
	14
	16
	18
	20

Border Type NT (Lay-in)  
Panel Mounted



Available Sizes (D" x D")  
6" x 4" through 22" x 22" in 1" increments. Dimensions are in inches.

### Border Type NT

Check  if provided.

• Accessories & Options

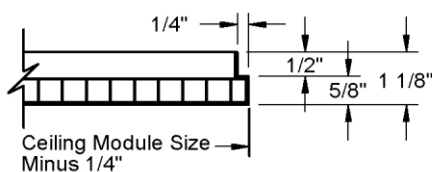
- Neck mounted opposed blade damper (galvanized steel)
- EQT • Earthquake Tabs
- IS • Insect Screen (1/16" square mesh – galvanized steel)
- DS • Debris Screen (1/4" square mesh – galvanized steel)
- Other: \_\_\_\_\_

Note: Insect and Debris Screen are mutually exclusive options

**Standard Finish: #26 White**

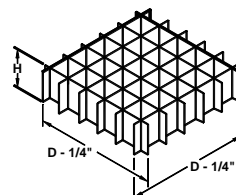
Other Finish: \_\_\_\_\_

Border Type 7 (Channel)



Available in sizes up to 48" x 48".

Border Type 8 (Core only)



Available in sizes up to 48" x 48"

### Border Type 7 and 8

• Accessories & Options

Check  if provided.

- EQT • Earthquake tabs
- Other: \_\_\_\_\_

**Standard Finish: #26 White**

Other Finish: \_\_\_\_\_

This submittal is meant to demonstrate general dimensions of this product. The drawings are not meant to detail every aspect of the product. Drawings are not to scale. Titus

reserves the right to make changes without written notice.

All rights reserved. No part of this work may be reproduced or transmitted in any form or by any means, electronic or mechanical, including photocopying and recording or by any information storage retrieval system without permission in writing from Air Distribution Technologies.