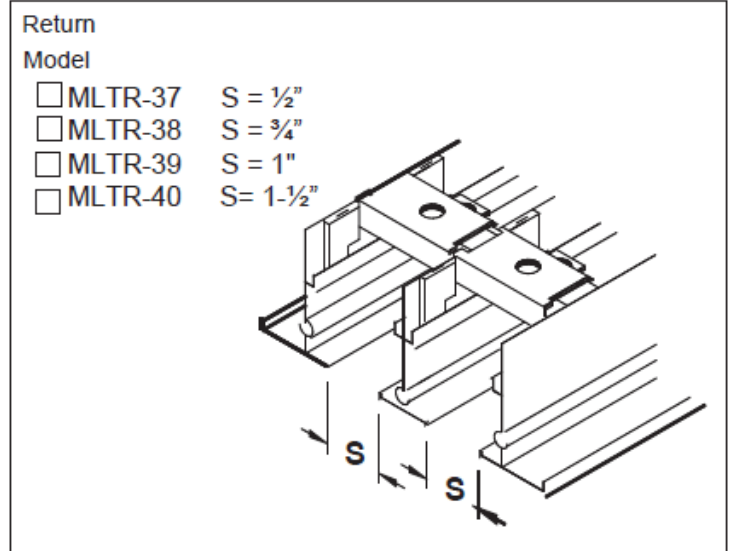
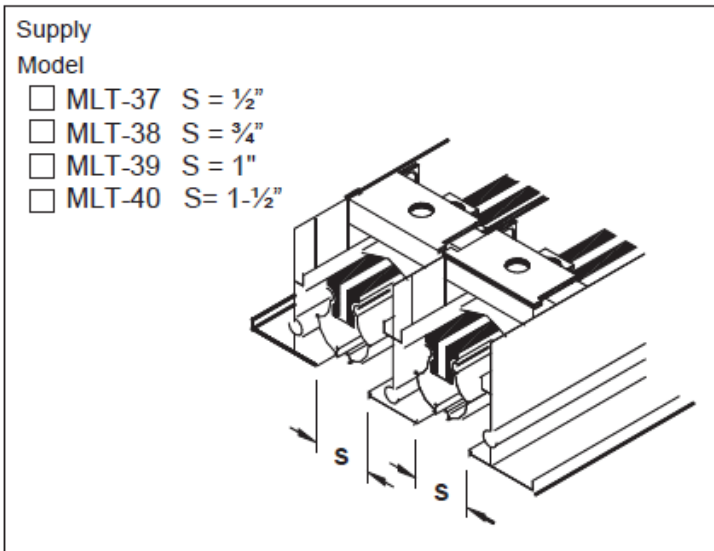


Linear Slot Ceiling Diffusers Aluminum • Modulinear • Modular Lay-In

Models: MLT-37 • 1/2" Slot • Supply • Non-Insulated Plenum
 MLT-38 • 3/4" Slot • Supply • Non-Insulated Plenum
 MLT-39 • 1" Slot • Supply • Non-Insulated Plenum
 MLT-40 • 1-1/2" Slot • Supply • Non-Insulated Plenum
 MLTI-37 • 1/2" Slot • Supply • Insulated Plenum
 MLTI-38 • 3/4" Slot • Supply • Insulated Plenum
 MLTI-39 • 1" Slot • Supply • Insulated Plenum
 MLTI-40 • 1-1/2" Slot • Supply • Insulated Plenum

MLTR-37 • 1/2" Slot • Return • Non-Insulated Plenum
 MLTR-38 • 3/4" Slot • Return • Non-Insulated Plenum
 MLTR-39 • 1" Slot • Return • Non-Insulated Plenum
 MLTR-40 • 1-1/2" Slot • Return • Non-Insulated Plenum
 MLTRI-37 • 1/2" Slot • Return • Insulated Plenum
 MLTRI-38 • 3/4" Slot • Return • Insulated Plenum
 MLTRI-39 • 1" Slot • Return • Insulated Plenum
 MLTRI-40 • 1-1/2" Slot • Return • Insulated Plenum



Check if provided.

Border 1B

Length

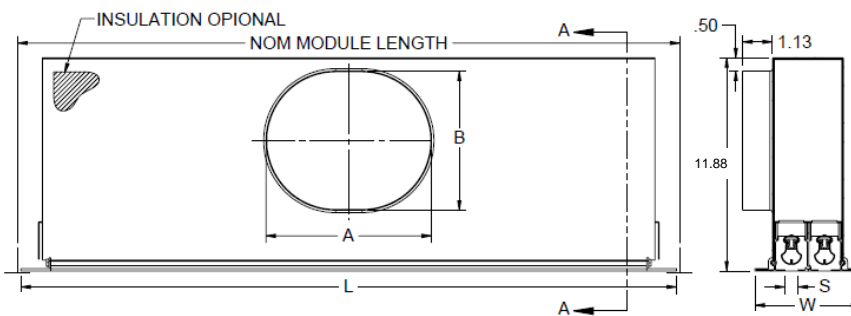
- 2 feet
 4 feet

Slots

- 1
 2
 3
 4

Inlet

- 6"
 8"
 10"
 12"
 No Plenum



Standard Inlet Size	Dimensions	
	A Width	B Height
6 Oval	6 1/4	5 1/4
8 Oval	9 3/8	5 1/4
10 Oval	12 1/2	5 1/4
12 Oval	14 1/8	7 7/8

MLT Model	S Slot Width	W (width)				Nominal Module Length	Available Inlets (inches)	Plenum Length (inches)	L Unit Length (inches)
		Slots							
		1	2	3	4				
MLT, MLTI-37	1/2	2 3/4	4	5 1/4	6 1/2	24, 48	6, 8, 10, 12	21 3/4, 45 3/4	23-3/4, 47-3/4
MLT, MLTI-38	3/4	3	4 1/2	6	7 1/2				
MLT, MLTI-39	1	3 1/4	5	6 3/4	8 1/2				
MLT, MLTI-40	1-1/2	3 3/4	6	8 1/4	10 1/2				

This submittal is meant to demonstrate general dimensions of this product. The drawings are not meant to detail every aspect of the product. Drawings are not to scale.

Titus reserves the right to make changes without written notice.

All rights reserved. No part of this work may be reproduced or transmitted in any form or by any means, electronic or mechanical, including photocopying and recording, or by any information storage retrieval system without permission in writing from Air Distribution Technologies.

Check if provided.

Border NT

Slots

- 1
- 2
- 3
- 4

Inlet

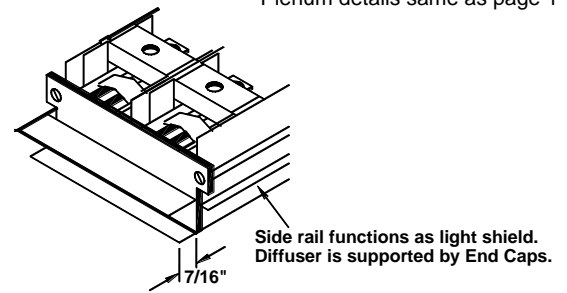
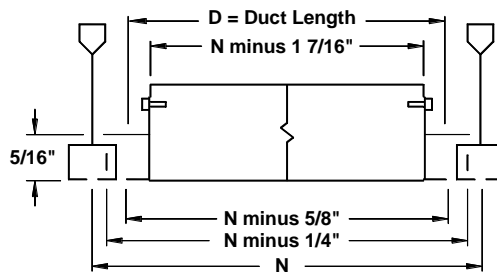
- 6"
- 8"
- 10"
- 12"
- No Plenum

Plenum details same as page 1

Available Lengths

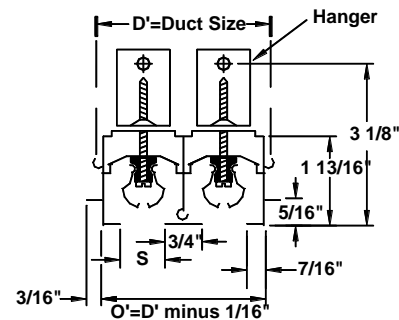
- N = 24
- N = 48

Border NT Length



Border NT Width

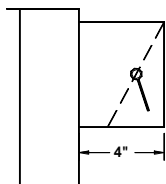
No. of Slots	Border Type NT			
	MLT/MLTR 37	MLT/MLTR 38	MLT/MLTR 39	MLT/MLTR 40
	S = 1/2	S = 3/4	S = 1	S = 1 1/2
1	1 3/8	1 5/8	1 7/8	2 3/8
2	2 5/8	3 1/8	3 5/8	4 5/8
3	3 7/8	4 5/8	5 3/8	6 7/8
4	5 1/8	6 1/8	7 1/8	9 1/8



Dimensions are in inches.

Accessories (Optional) Check if provided.

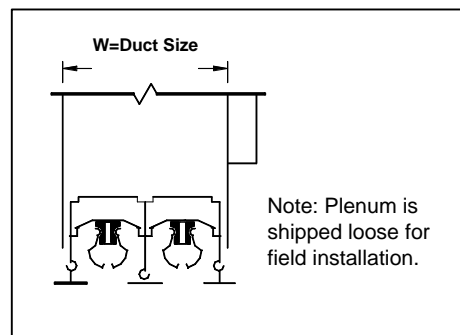
ID Optional Inlet Damper



Inlet	H
6"	5 1/4
8"	5 1/4
10"	5 1/4
12"	8

Note: Inlet damper is shipped loose for field installation.

Plenum Installation Details



General Description

- Standard Finish: • #26 White
- Diffuser material: extruded aluminum
- Nominal diffuser lengths are 2 and 4 feet
- Plenum is steel.
- Optional Blank-Offs: BLKV – Vinyl • Field cut

This submittal is meant to demonstrate general dimensions of this product. The drawings are not meant to detail every aspect of the product. Drawings are not to scale.

Titus reserves the right to make changes without written notice.

All rights reserved. No part of this work may be reproduced or transmitted in any form or by any means, electronic or mechanical, including photocopying and recording, or by any information storage retrieval system without permission in writing from Air Distribution Technologies.