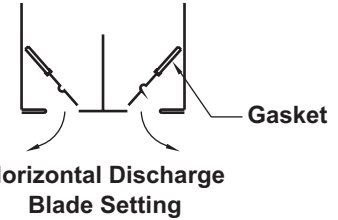
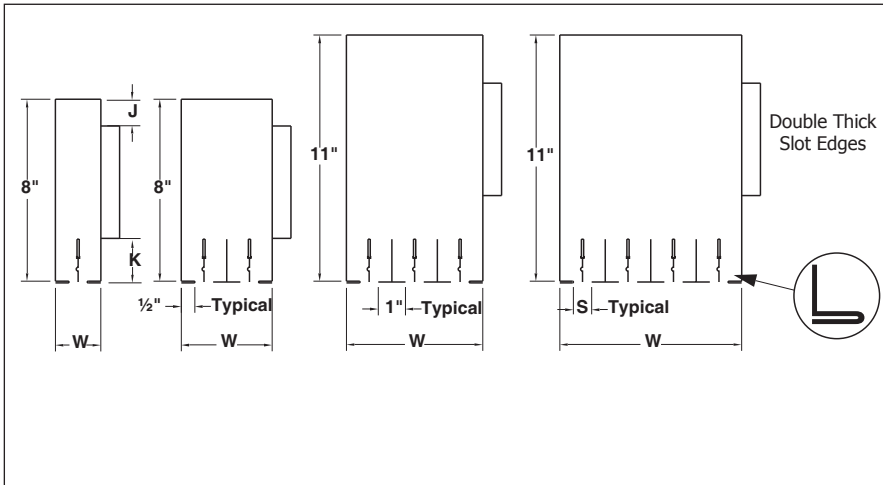
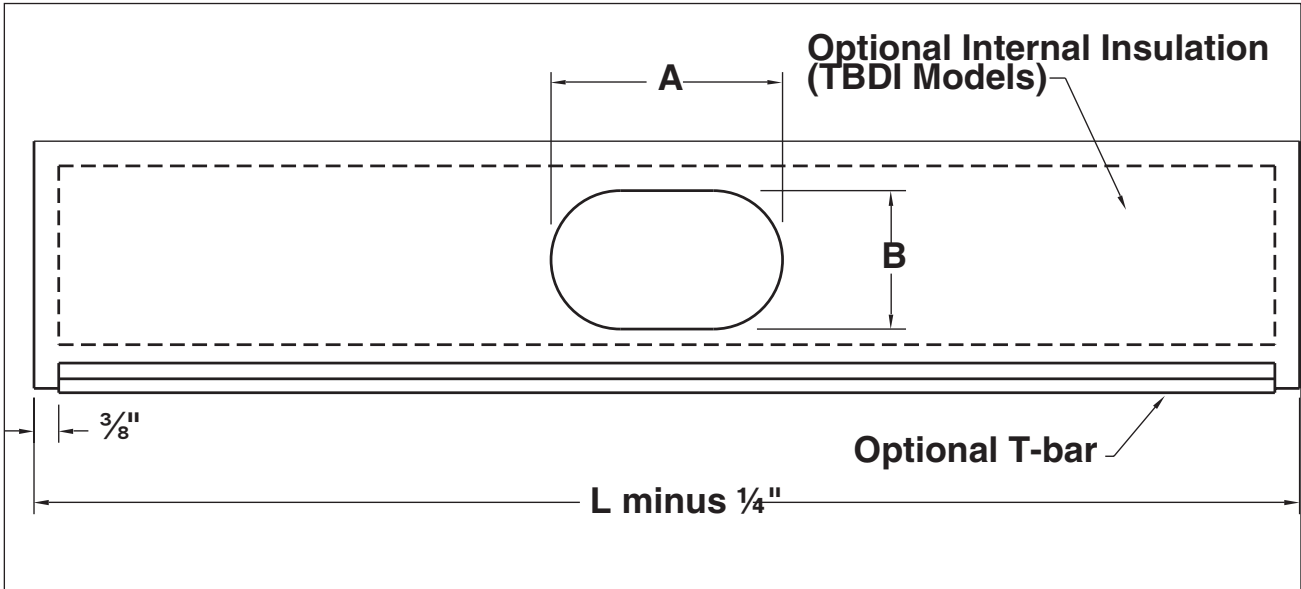


TBD-80 UNIT DIMENSIONS



Slot Width S	Width W			
	1-Slot	2-Slot	3-Slot	4-Slot
$3/4$	$1\ 1/4$	$3\ 1/2$	$5\ 1/4$	7
1	2	4	6	8
$1\ 1/2$	$2\ 1/2$	5	$7\ 1/2$	10

Standard Inlet Size	A	B
6 Oval	$6\ 1/4$	$5\ 1/4$
8 Oval	9	$5\ 1/4$
10 Oval	$12\ 1/2$	$5\ 1/4$
12 Oval	15	$5\ 1/4$
No Inlet	-	-

Nominal Length L	Standard Inlet Sizes
24	6, 8, 10
36	
48	6, 8, 10, 12
60	

(in.)	LP	HP
J	$1/2$	2
K	$2\ 1/4$	$3\ 3/4$

Note: Center T-bars shown above are optional